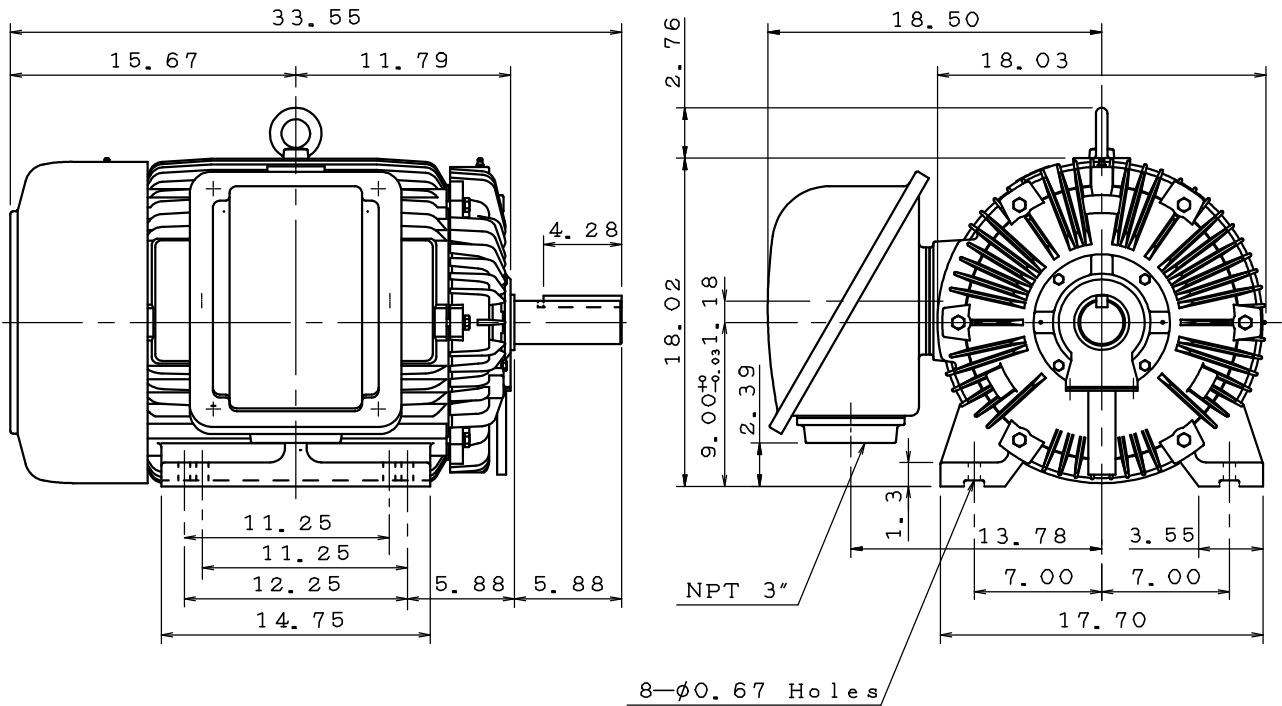


DATE	APRIL 1, 2020	OUTLINE DIMENSIONS	MOTOR TYPE:
CATALOG NO.:	EP0506		3-PHASE INDUCTION MOTOR
			FRAME NO. 365T

Pole	HP	kW	Hz	VOLT	r/min(rpm)
6	50	37	60	230/460	1200

Ins	Rating	Dimension in	Approx Weight	Bearings	
F	CONT.	inches	918 lbs	DE: 6313	NDE: 6213

Totally Enclosed Fan-Cooled Type. Squirrel-Cage Rotor.



\diamond	.	.
------------	---	---

DWG.	C. T. CHEN	12.19.19	TECO Westinghouse	DWG NO.
CHKD.	M. C. JENG	01.15.20		31057M127020
APPD.	M. C. JENG	01.15.20		