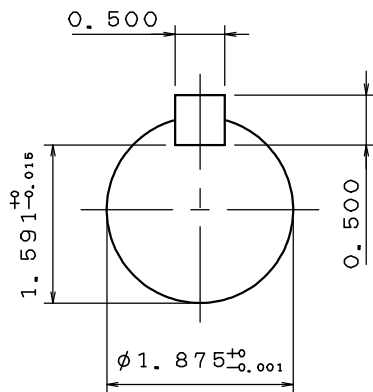
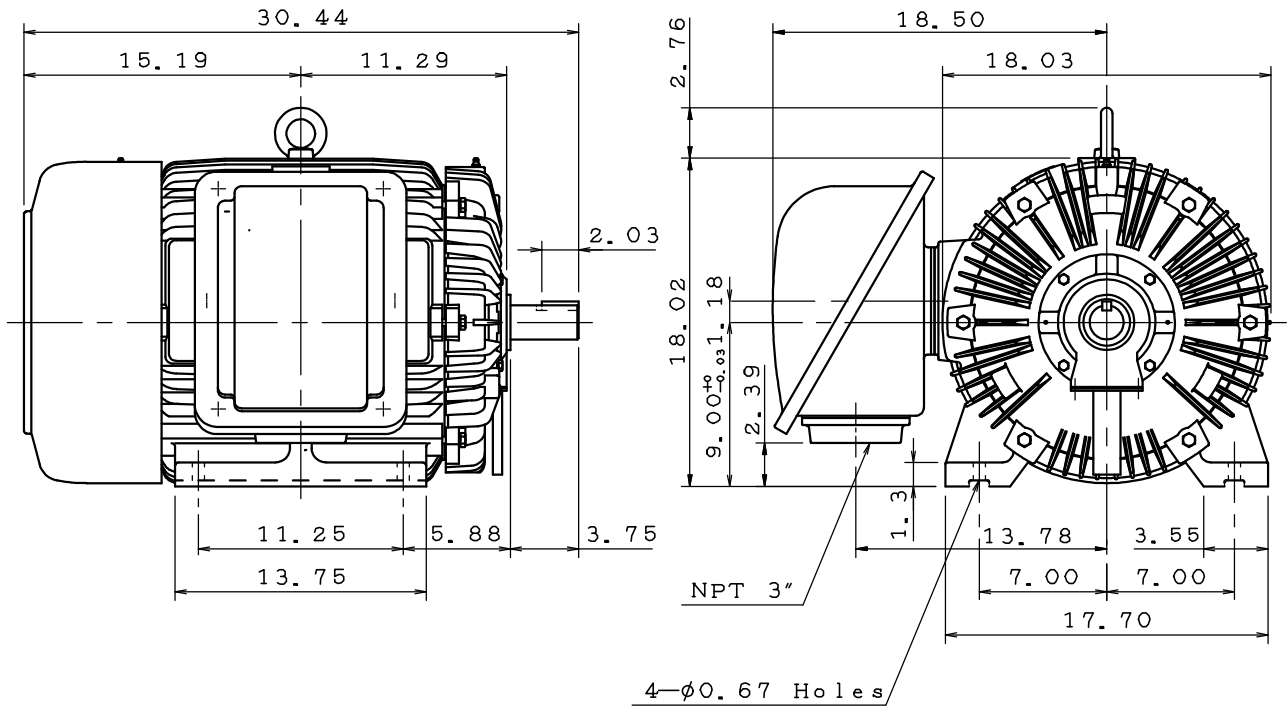


DATE	APRIL 1, 2020	OUTLINE DIMENSIONS	MOTOR TYPE:
CATALOG NO.:	EP0602		3-PHASE INDUCTION MOTOR
			FRAME NO. 364TS

Pole	HP	kW	Hz	VOLT	r/min(rpm)
2	60	45	60	230/460	3600

Ins	Rating	Dimension in	Approx Weight	Bearings
F	CONT.	inches	782 lbs	DE:6312C3 NDE:6212C3

Totally Enclosed Fan-Cooled Type. Squirrel-Cage Rotor.



0	.	.
---	---	---

DWG.	C. T. CHEN	12.19.19	TECO Westinghouse	DWG NO.
CHKD.	M. C. JENG	01.15.20		31057M124010
APPD.	M. C. JENG	01.15.20		