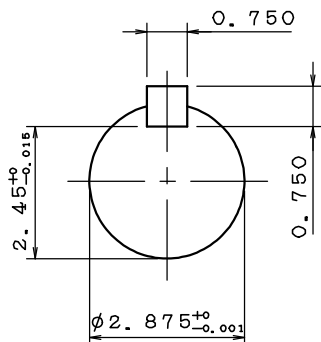
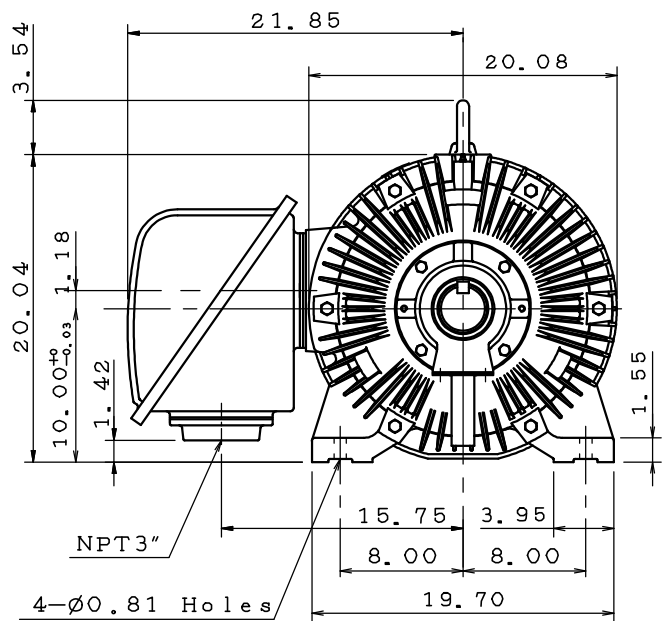
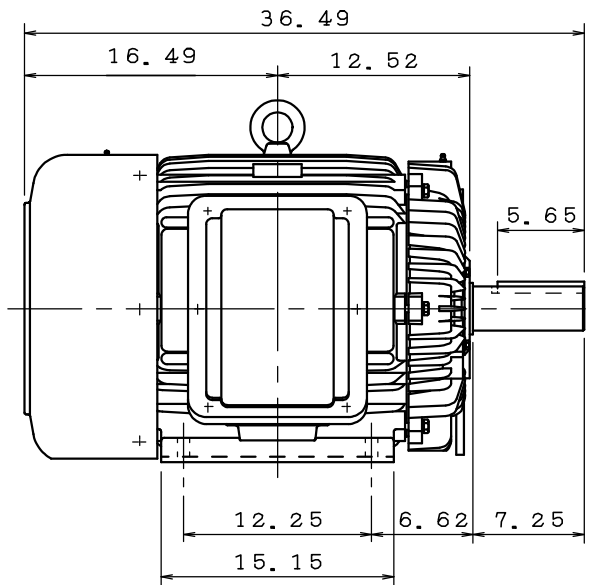


DATE	APRIL 1, 2020	OUTLINE DIMENSIONS	MOTOR TYPE:
CATALOG NO.:	EP0606		3-PHASE INDUCTION MOTOR
			FRAME NO. 404T

Pole	HP	kW	Hz	VOLT	r/min(rpm)
6	60	45	60	230/460	1200

Ins	Rating	Dimension in	Approx Weight	Bearings	
F	CONT.	inches	1261 lbs	DE: 6317	NDE: 6313

Totally Enclosed Fan Cooled Type. Squirrel-cage Rotor.



◇	.	.
---	---	---

DWG.	C. T. CHEN	12•20•19	TECO Westinghouse	DWG NO.
CHKD.	M. C. JENG	01•15•20		31057M128010
APPD.	M. C. JENG	01•15•20		