

DATE  
Sept. 8, 2005  
CAT. #: EP0754R

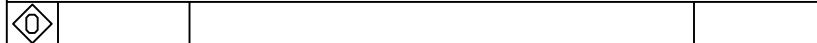
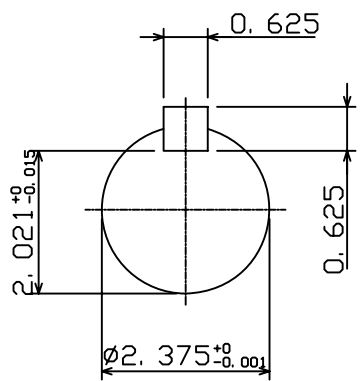
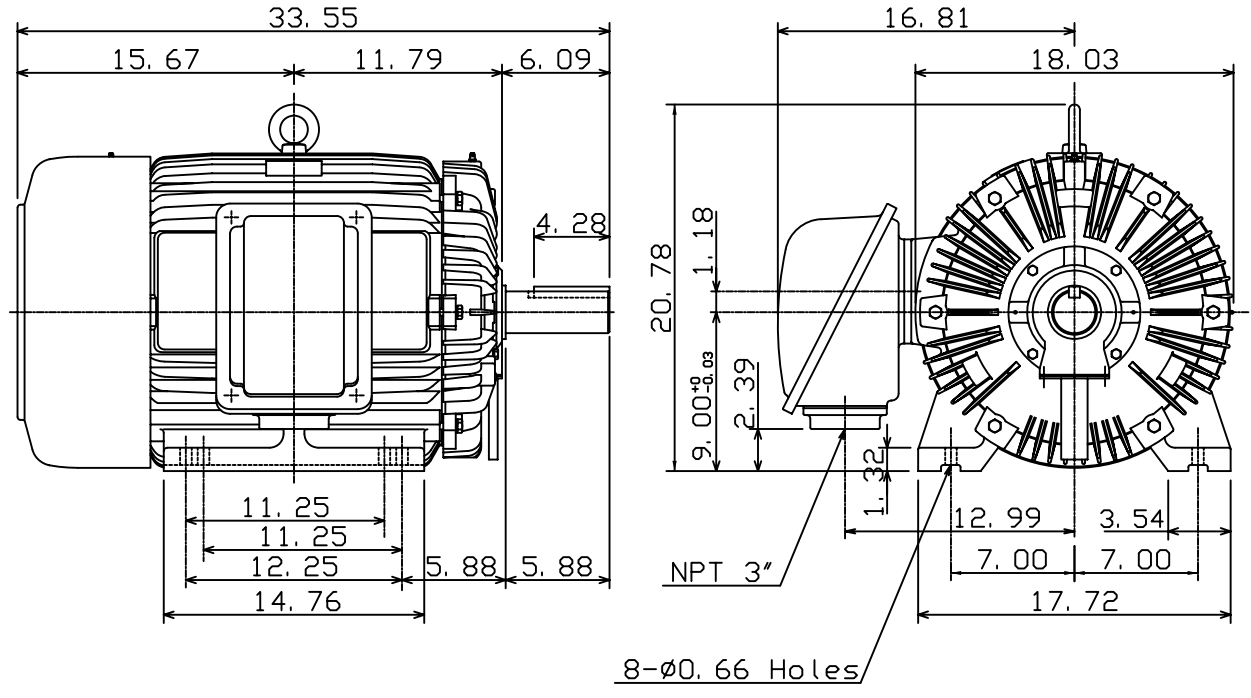
OUTLINE DIMENSIONS  
3-PHASE INDUCTION MOTOR

MOTOR TYPE:  
AEHH8N  
FRAME NO. 365T

| Pole | HP | kW | Hz | VOLT    | Syn. Speed<br>r/min(rpm) |
|------|----|----|----|---------|--------------------------|
| 4    | 75 | 56 | 60 | 230/460 | 1800                     |

| Ins | Rating | Dimension in | Approx Weight | Bearings            |
|-----|--------|--------------|---------------|---------------------|
| F   | CONT.  | inches       | 946 lbs.      | DE: NU313 NDE: 6213 |

Totally Enclosed Fan-Cooled Type. Squirrel-Cage Rotor.



|       |            |          |
|-------|------------|----------|
| DWN.  | K. L. KUO  | 01-11-05 |
| CHKD. | C. H. KAO  | 01-28-05 |
| APPD. | M. C. TSAI | 01-28-05 |



DWG NO.  
31057H370510