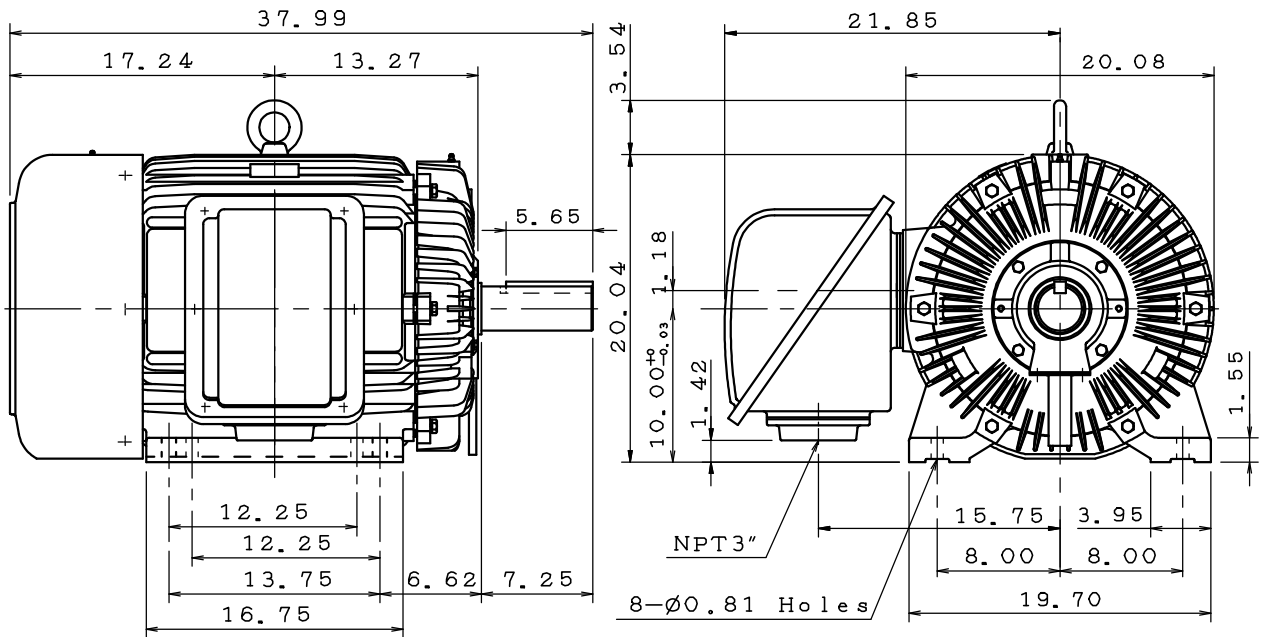


DATE	APRIL 1, 2020	OUTLINE DIMENSIONS	MOTOR TYPE:
CATALOG NO.:	EP0756		3-PHASE INDUCTION MOTOR
			FRAME NO. 405T

Pole	HP	kW	Hz	VOLT	r/min(rpm)
6	75	55	60	230/460	1200

Ins	Rating	Dimension in	Approx Weight	Bearings
F	CONT.	inches	1356 lbs	DE: 6317 NDE: 6313

Totally Enclosed Fan Cooled Type. Squirrel-cage Rotor.



◇	.	.
---	---	---

DWG.	C. T. CHEN	12•20•19	<b>TECO</b> <b>Westinghouse</b>	DWG NO.
CHKD.	M. C. JENG	01•15•20		31057M130020
APPD.	M. C. JENG	01•15•20		