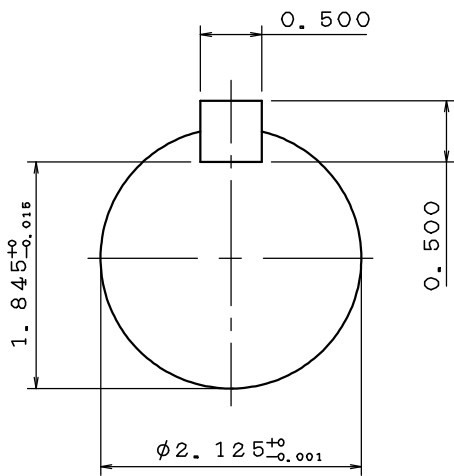
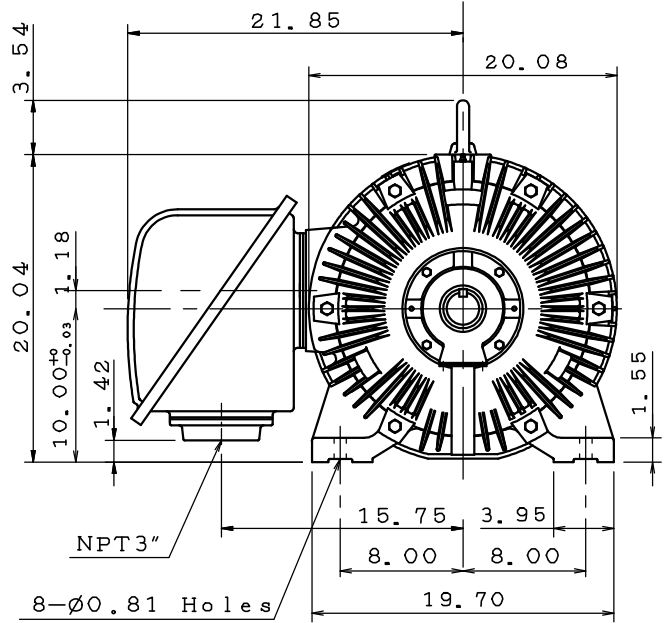
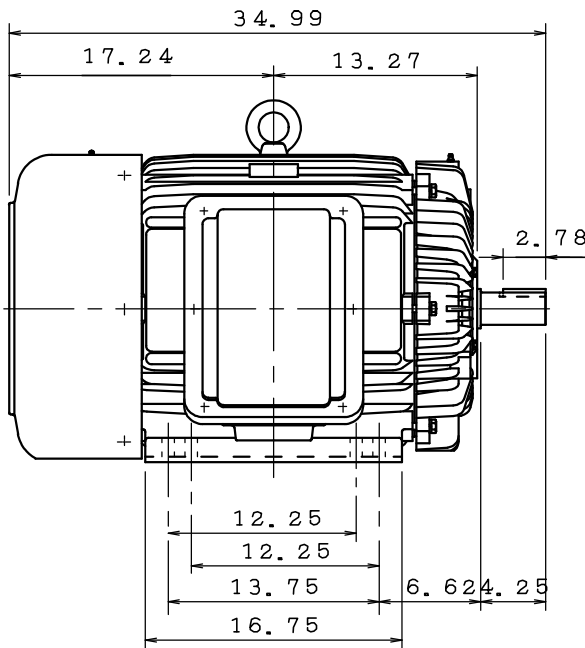


DATE	APRIL 1, 2020	OUTLINE DIMENSIONS	MOTOR TYPE:
CATALOG NO.:	EP1002		3-PHASE INDUCTION MOTOR
			FRAME NO. 405TS

Pole	HP	kW	Hz	VOLT	r/min(rpm)
2	100	75	60	230/460	3600

Ins	Rating	Dimension in	Approx Weight	Bearings
F	CONT.	inches	1233 lbs	DE: 6313C3 NDE: 6313C3

Totally Enclosed Fan Cooled Type. Squirrel-cage Rotor.



0	.	.
---	---	---

DWG.	C. T. CHEN	12•20•19	<b>TECO</b> <b>Westinghouse</b>	DWG NO.
CHKD.	M. C. JENG	01•15•20		31057M129010
APPD.	M. C. JENG	01•15•20		