

DATE
Feb. 16, 2007
CAT. #: EP1004S

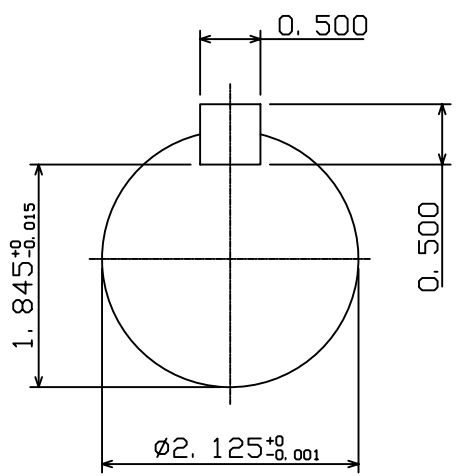
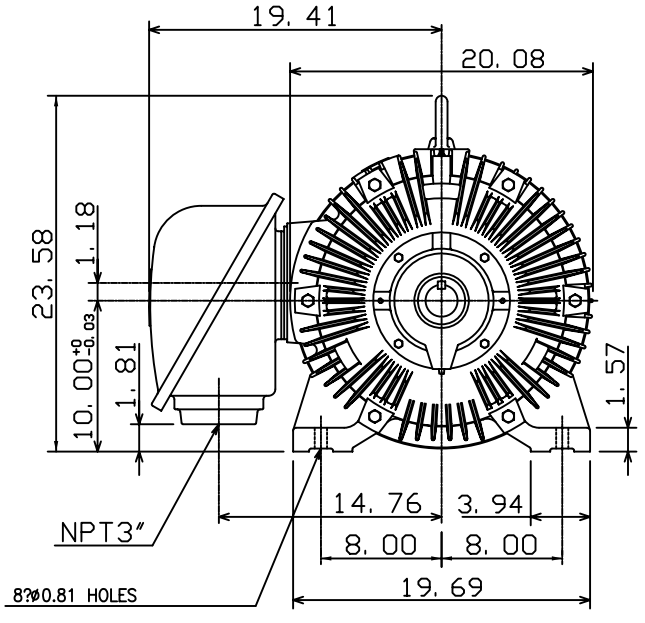
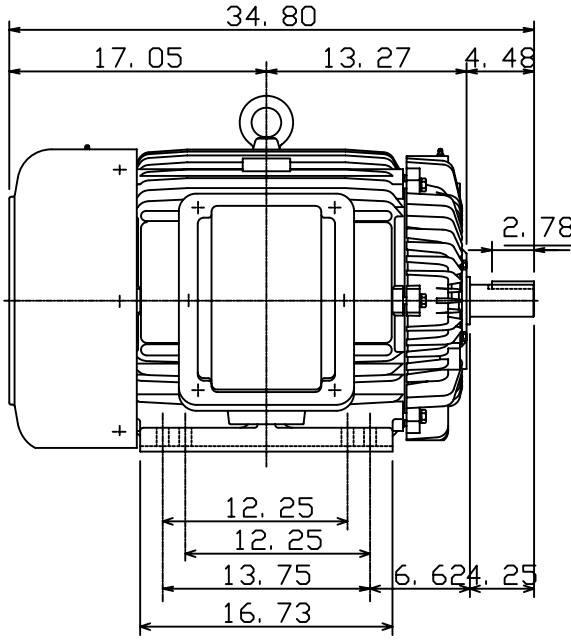
OUTLINE DIMENSIONS
3-PHASE INDUCTION MOTOR

MOTOR TYPE:
AEHH8N
FRAME NO. 405TS

| Pole | HP | kW | Hz | VOLT | Syn. Speed r/min(rpm) |
|------|-----|----|----|---------|--------------------------|
| 4 | 100 | 75 | 60 | 230/460 | 1800 |

| Ins | Rating | Dimension in | Approx Weight | Bearings | |
|-----|--------|--------------|---------------|----------|-----------|
| F | CONT. | inches | 1280 lbs. | DE: 6317 | NDE: 6313 |

Totally Enclosed Fan Cooled Type. Squirrel-cage Rotor.



| | | |
|---|--|--|
| □ | | |
|---|--|--|

| | | |
|-------|------------|----------|
| DWN. | K. L. KUO | 01-11-05 |
| CHKD. | C. H. KAO | 01-28-05 |
| APPD. | M. C. TSAI | 01-28-05 |



DWG NO.
31057H372190A