

11

10

9

8

7

6

5

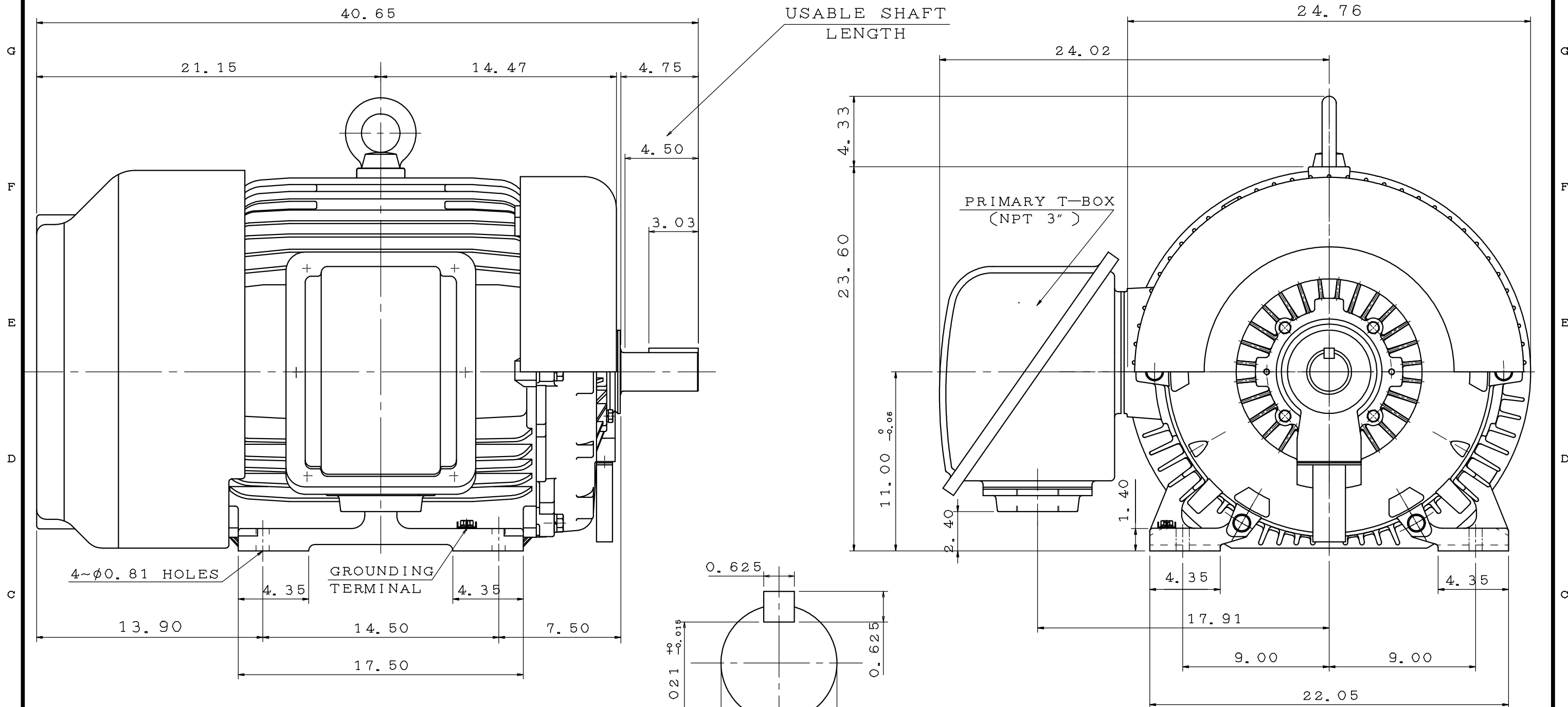
4

3

2

1

POLE	HP	kW	Hz	VOLT	r/min(RPM)	INS	RATING	DIMENSION IN	APPROX WEIGHT	BEARINGS
2	125	93.3	60	230/460	3600	F	CONT.	INCH	1498lbs	DE: 6314C3 NDE: 6314C3



NOTE:
 1. FOR DIRECT FLEXIBLE COUPLING
 2. ~~ENCLOSURE: IP55 PROTECTION~~

OUTLINE DIMENSIONS
 3-PHASE INDUCTION MOTOR

MOTOR TYPE	AEHH8N	FRAME NO.	444TS
CATALOG NO:	EP1252	DATE	APRIL 1, 2020

APPD.	BEN. YANG	06•19•19
CHKD.	K. L. KUO	06•19•19
DWG.	K. L. KUO	06•13•19

TECO Westinghouse

DWG NO.
 31057C574240

第三角法

11

10

9

8

7

6

5

4

3

2

1