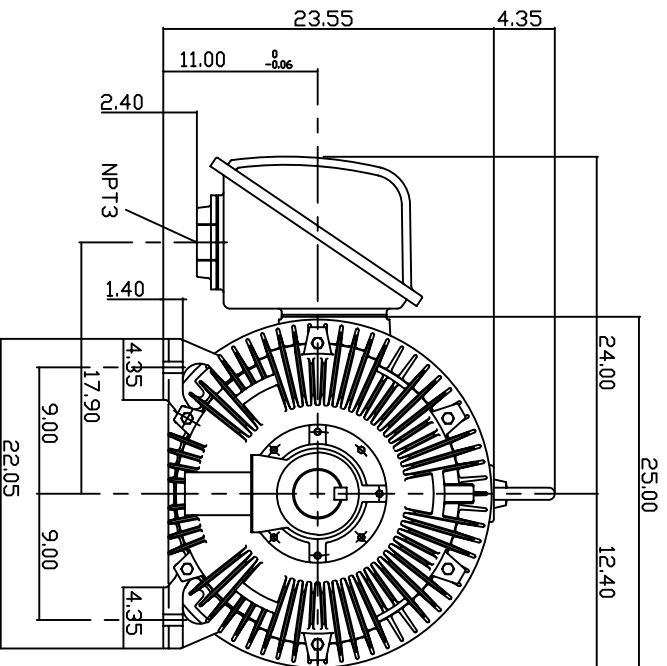
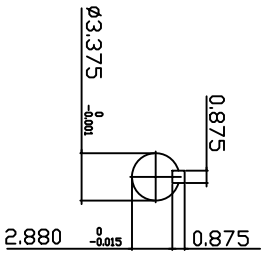
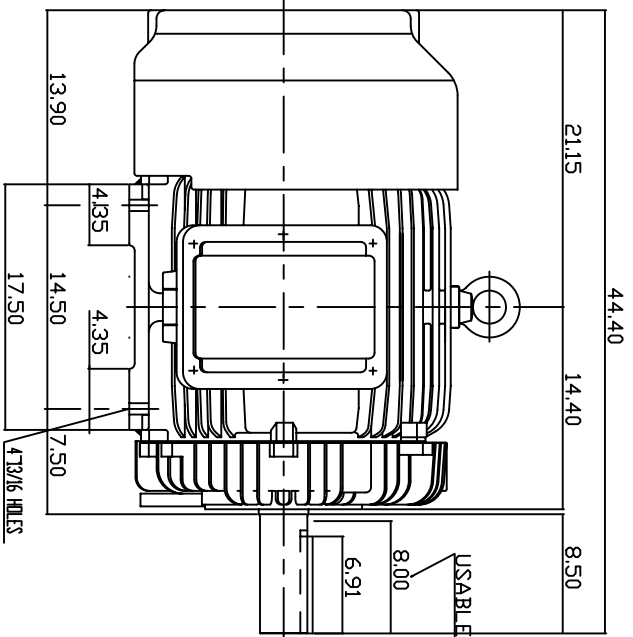


| TYPE | OUTPUT | | POLE | TIME RATING | VOLTAGE | Hz | SYN SPEED R.P.M |
|-------|--------|------|------|-------------|---------|----|-----------------|
| | HP. | KW. | | | | | |
| AEH8N | 125 | 93.3 | 4 | CONT. | 190/380 | 50 | 1500 |

TOTALLY ENCLOSED FAN-COOLED TYPE, SQUIRREL-CAGE ROTOR



NOTE:

1. DIMENSIONS IN INCH
2. FRAME NO. 444T
3. F CLASS INSULATION, S.F.1.15
4. FOR DIRECT FLEXIBLE COUPLING
5. ENCLOSURE: IP54
6. BEARING SIZE: DRIVE END: 6318
NON-DRIVE END: 6316
7. APPROX. WEIGHT: 1600 LBS

TW-56C

| | |
|---------------|-------------|
| DWN. N.QIN | JAN 13 2005 |
| CHKD. H.HUANG | JAN 13 2005 |
| APPD. C.WANG | JAN 13 2005 |

DATE 20050617

OUTLINE DIMENSIONS

CAT. # EP1254-50

3-PHASE INDUCTION MOTOR



DWG NO. 3A040Y599
REV: 00