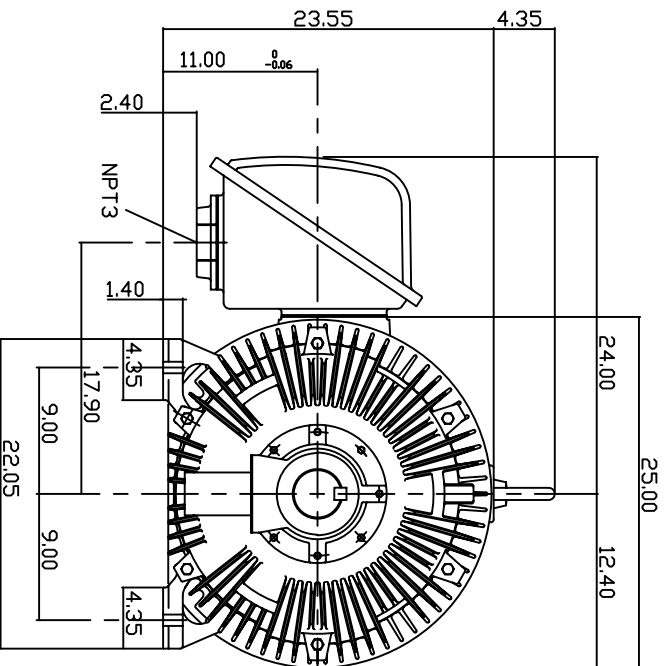
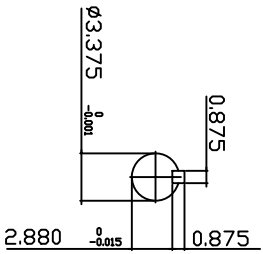
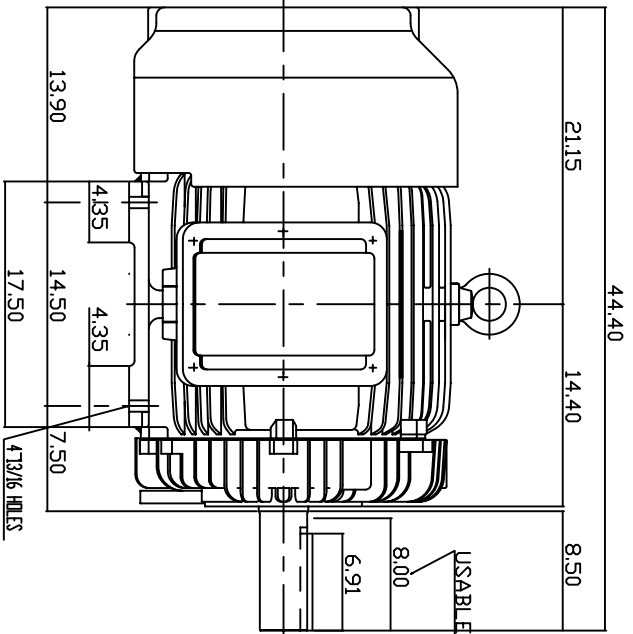


TYPE	OUTPUT		POLE	TIME RATING	VOLTAGE V	Hz	SYN SPEED R.P.M
	HP.	KW.					
AEH8N	125	93.3	4	CONT.	190/380	50	1500

TOTALLY ENCLOSED FAN-COOLED TYPE, SQUIRREL-CAGE ROTOR



NOTE:

1. DIMENSIONS IN INCH
2. FRAME NO. 444T
3. F CLASS INSULATION, S.F.1.15
4. FOR BELTED APPLICATION
5. ENCLOSURE: IP54
6. BEARING SIZE: DRIVE END: NU318
NON-DRIVE END: 6316
7. APPROX. WEIGHT: 1600 LBS

TW-56C

DWN. N.QIN	JAN 13 2005
CHKD. H.HUANG	JAN 13 2005
APPD. C.WANG	JAN 13 2005

DATE 20050617
 CAT. # EP1254R-50
 3-PHASE INDUCTION MOTOR



DWG NO. 3A040Y599
 REV. 00

OUTLINE DIMENSIONS