

11

10

9

8

7

6

5

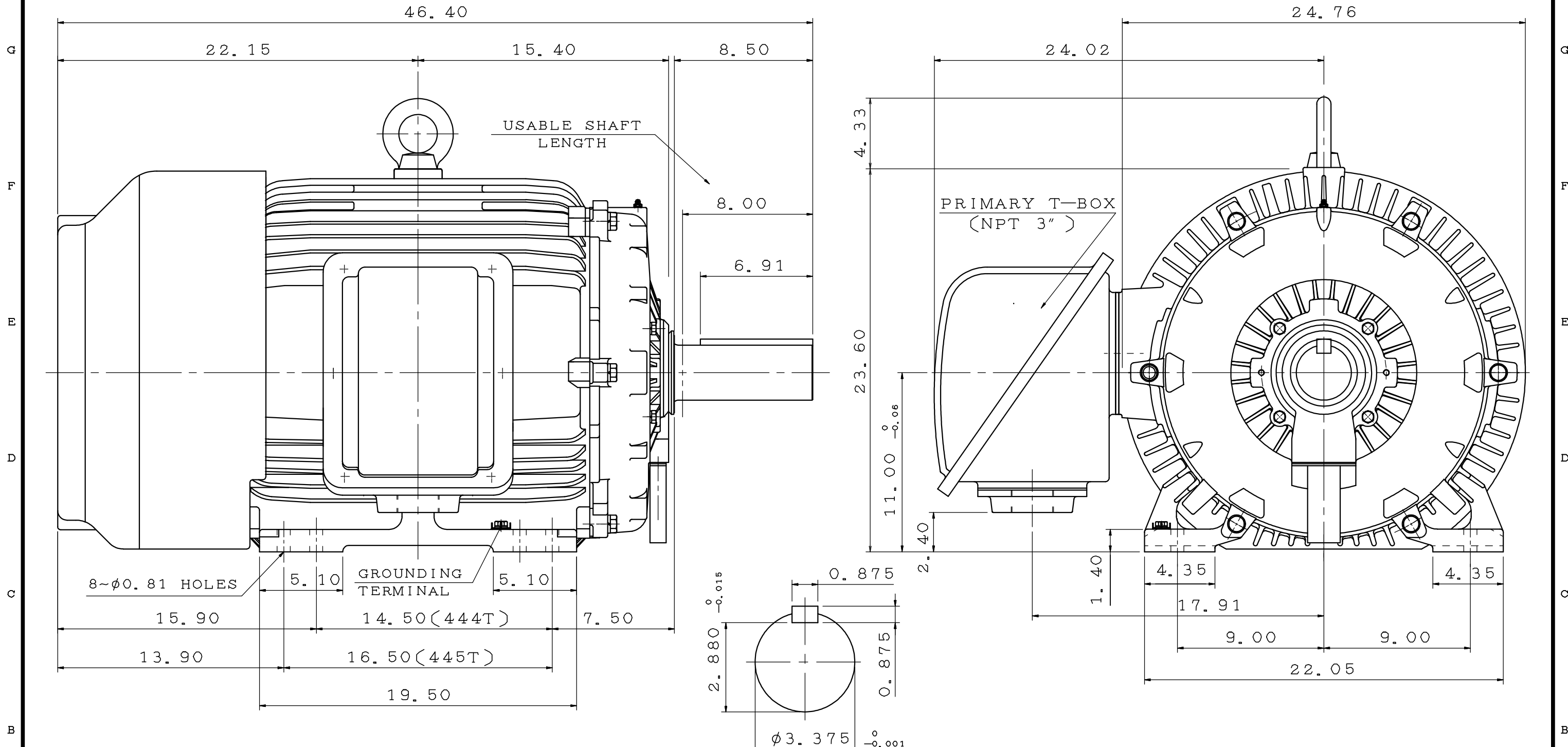
4

3

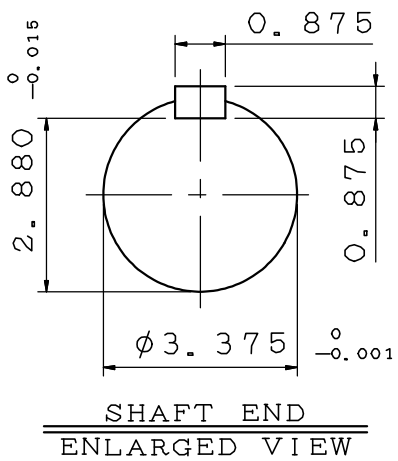
2

1

POLE	HP	kW	Hz	VOLT	r/min(RPM)	INS	RATING	DIMENSION IN	APPROX WEIGHT	BEARINGS	
6	125	93.3	60	230/460	1200	F	CONT.	INCH	1795lbs	DE:6318	NDE:6316



NOTE:  
 1. FOR DIRECT FLEXIBLE COUPLING  
 2. ENCLOSURE: IP55 PROTECTION



OUTLINE DIMENSIONS  
 3-PHASE INDUCTION MOTOR

MOTOR TYPE	AEHH8N	FRAME NO.	445T
CATALOG NO:	EP1256	DATE	APRIL 1, 2020

APPD.	BEN. YANG	06.19.19
CHKD.	K. L. KUO	06.19.19
DWG.	K. L. KUO	06.15.19

**TECO** Westinghouse

DWG NO.  
31057C559750

第三角法

11

10

9

8

7

6

5

4

3

2

1