

11

10

9

8

7

6

5

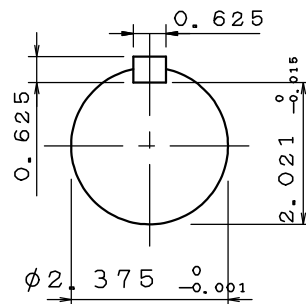
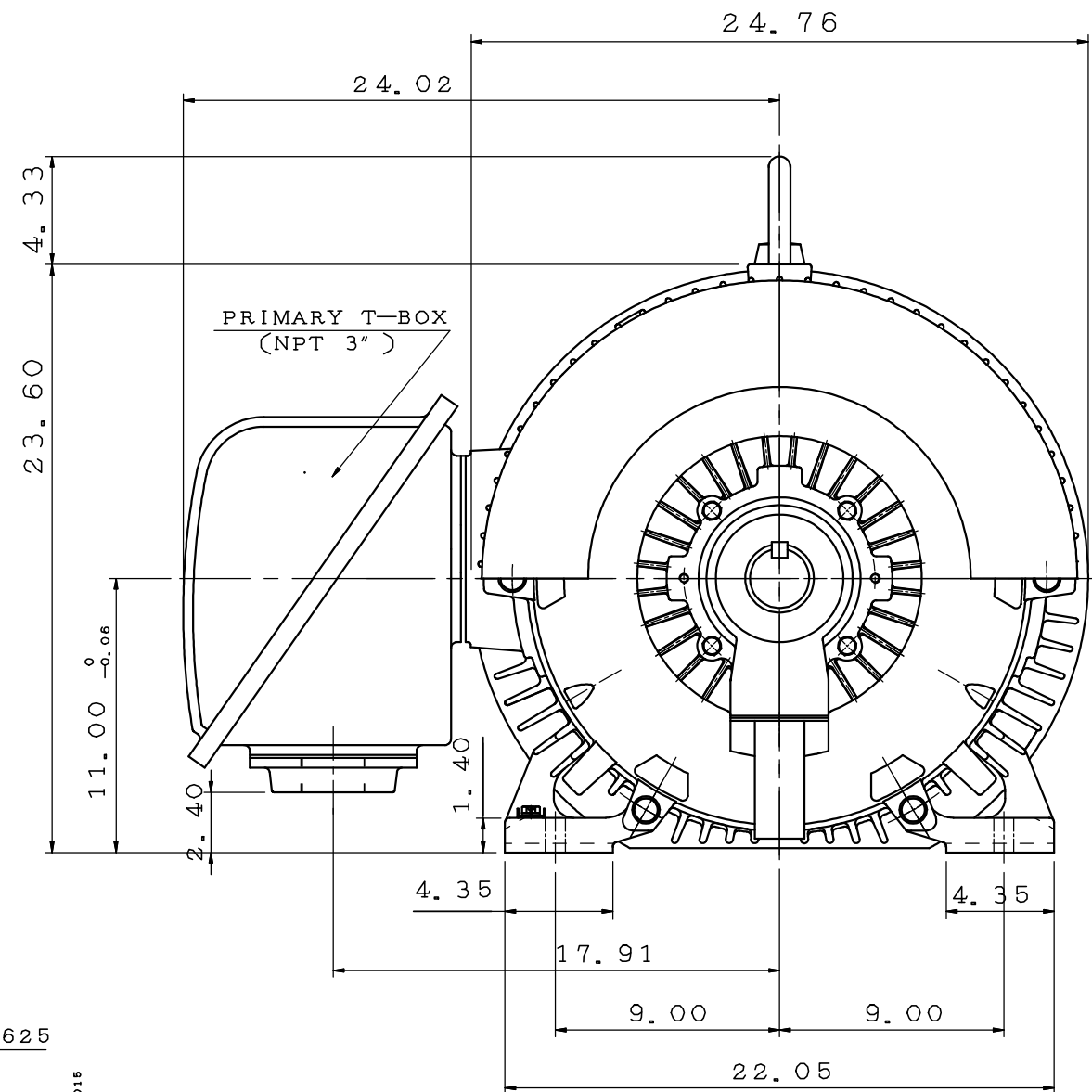
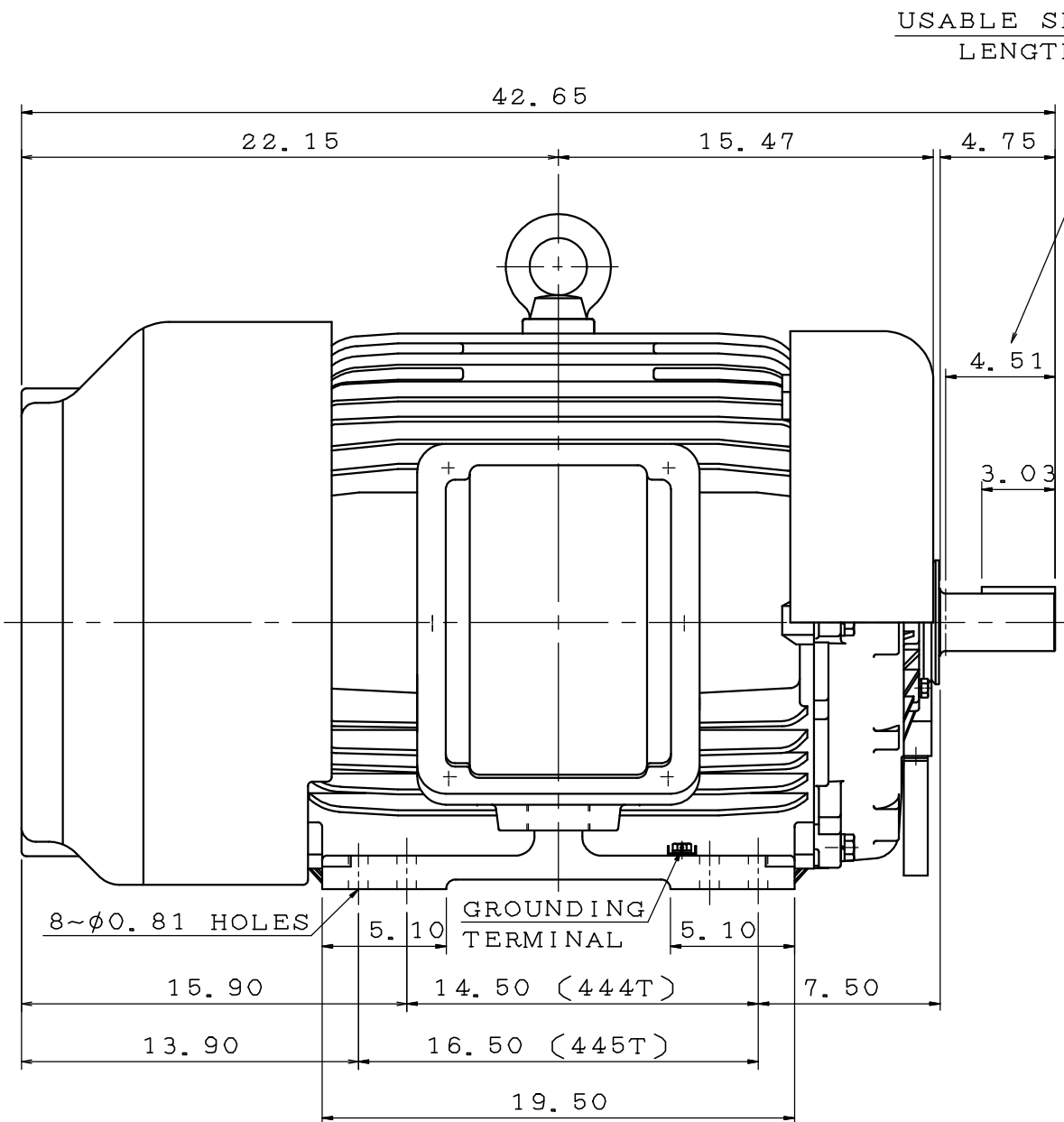
4

3

2

1

POLE	HP	kW	Hz	VOLT	r/min(RPM)	INS	RATING	DIMENSION IN	APPROX WEIGHT	BEARINGS
2	150	112	60	460	3600	F	CONT.	INCH	1588lbs	DE: 6314C3 NDE: 6314C3



SHAFT END  
ENLARGED VIEW

NOTE:

- 1. FOR DIRECT FLEXIBLE COUPLING
- 2. ENCLOSURE: IP55 PROTECTION

OUTLINE DIMENSIONS  
3-PHASE INDUCTION MOTOR

MOTOR TYPE	AEHH8N	FRAME NO.	445TS
CATALOG NO:	EP1502	DATE	APRIL 1, 2020

APPD.	BEN. YANG	06.19.19
CHKD.	K. L. KUO	06.19.19
DWG.	K. L. KUO	06.13.19



DWG NO.  
31057C559730

第三角法

11

10

9

8

7

6

5

4

3

2

1