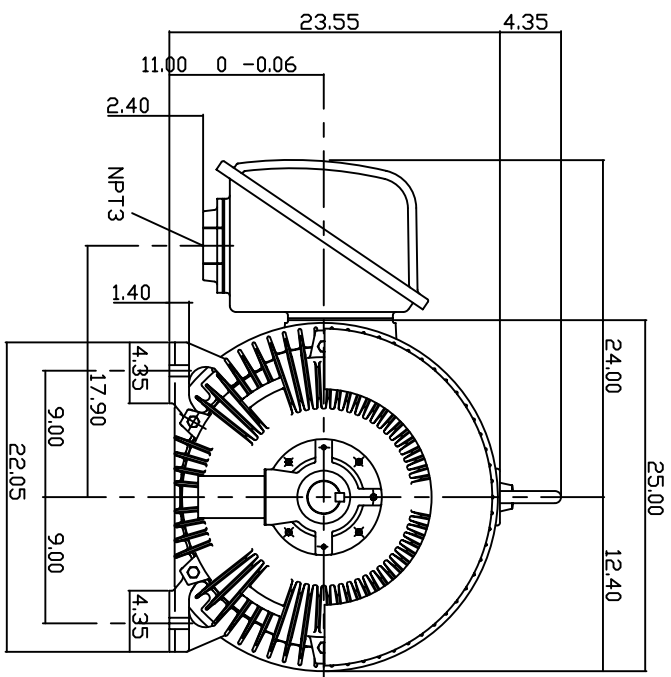
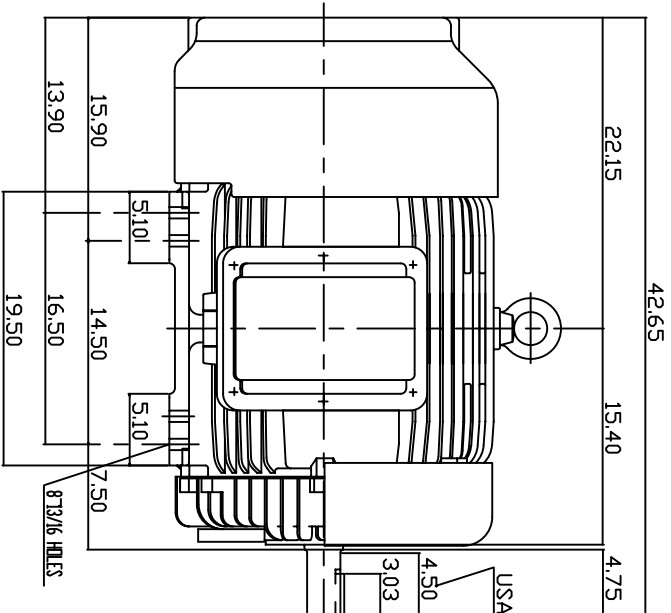


TYPE	OUTPUT		POLE	TIME RATING	VOLTAGE	Hz	SYNSPEED R.P.M
	HP.	KW.					
AEHH8N	150	111.9	4	CONT.	460	60	1800

TOTALLY ENCLOSED FAN-COOLED TYPE, SQUIRREL-CAGE ROTOR



NOTE:

1. DIMENSIONS IN INCH
2. FRAME NO. 445TS
3. F CLASS INSULATION, S.F.115
4. FOR DIRECT FLEXIBLE COUPLING
5. ENCLOSURE: IP54
6. BEARING SIZE: DRIVE END: 6318  
NON-DRIVE END: 6316
7. APPROX. WEIGHT: 1775 LBS

TW-56C

DWN.	T.H.Pan	FEB-17 2005
CHKD.	H.HUANG	FEB-17 2005
APPD.	C.WANG	FEB-17 2005

DATE Feb. 16, 2007  
 CAT # EP1504S  
 3-PHASE INDUCTION MOTOR  
 DATE Feb. 16, 2007  
 CAT # EP1504S  
 3-PHASE INDUCTION MOTOR  
 Dwg No. 3A040Y684A  
 REV: 00