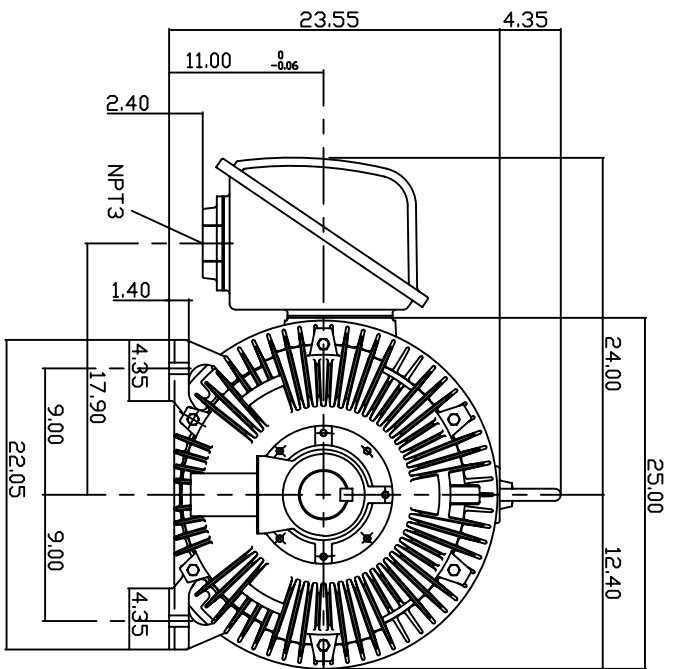
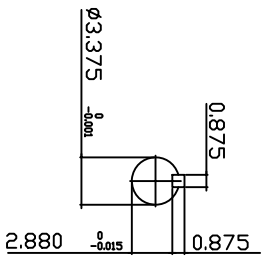
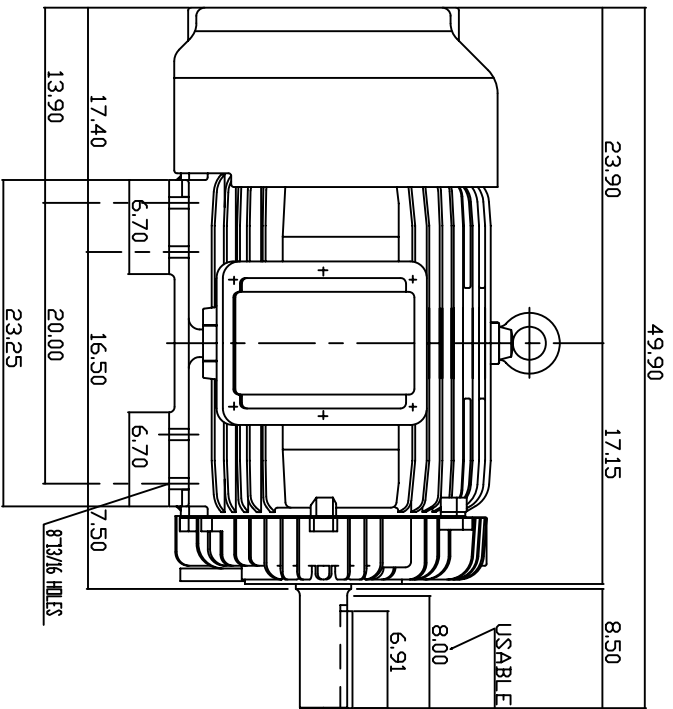


TYPE	OUTPUT HP.	KW.	POLE	RATING CNT.	VOLTAGE V	Hz	SYNSPEED R.P.M
AEH8N	150	111.9	6		380	50	1000

TOTALLY ENCLOSED FAN-COOLED TYPE, SQUIRREL-CAGE ROTOR



NOTE:

1. DIMENSIONS IN INCH
2. FRAME NO. 447T
3. F CLASS INSULATION, S.F.115
4. FOR BELTED APPLICATION
5. ENCLOSURE: IP54
6. BEARING SIZE: DRIVE END: NU320
NON-DRIVE END: 6316
7. APPROX. WEIGHT: 2450 LBS

TW-56C

DWN. N.QIN	JAN 13 2005
CHKD. H.HUANG	JAN 13 2005
APPD. C.WANG	JAN 13 2005

DATE 20050617
CAT. # EP1506R-50
3-PHASE INDUCTION MOTOR



DWG NO. 3A040Y597
REV. 00

OUTLINE DIMENSIONS