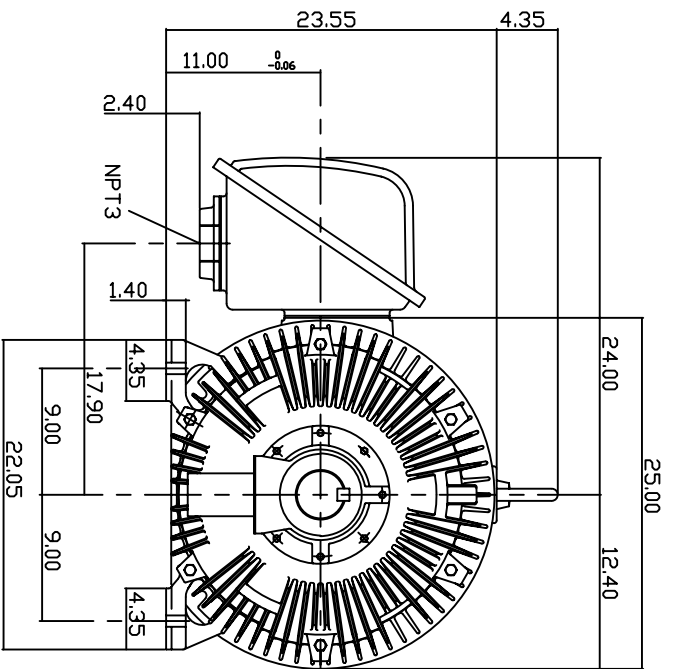
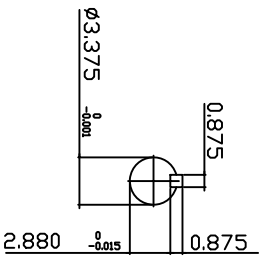
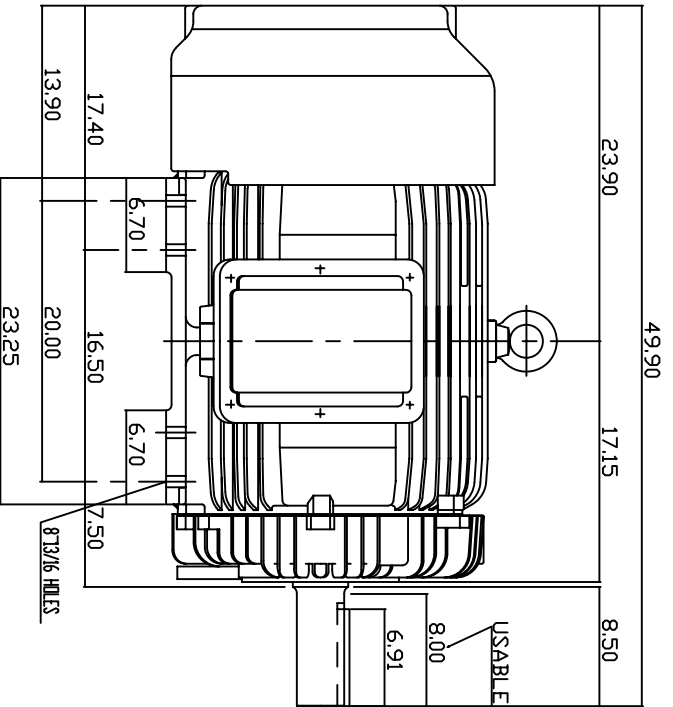


| TYPE | OUTPUT | | POLE | TIME RATING | VOLTAGE | Hz | SYNSPEED R.P.M |
|--------|--------|-------|------|-------------|---------|----|----------------|
| | HP. | KW. | | | | | |
| AEHH8N | 200 | 149.2 | 4 | CONT. | 460 | 60 | 1800 |

TOTALLY ENCLOSED FAN-COOLED TYPE, SQUIRREL-CAGE ROTOR



NOTE:

1. DIMENSIONS IN INCH
2. FRAME NO. 447T
3. F CLASS INSULATION, S.F.115
4. FOR BELTED SERVICE
5. ENCLOSURE: IP54
6. BEARING SIZE: DRIVE END: NU320
NON-DRIVE END: 6316
7. APPROX. WEIGHT: 2450 LBS

TW-56C

| | |
|---------------|-------------|
| DWN. N.QIN | JAN 13 2005 |
| CHKD. H.HUANG | JAN 13 2005 |
| APPD. C.WANG | JAN 13 2005 |

DATE 20050617
CATALOG # EP2004R

OUTLINE DIMENSIONS
3-PHASE INDUCTION MOTOR



DWG NO. 3A040Y597
REV. 00