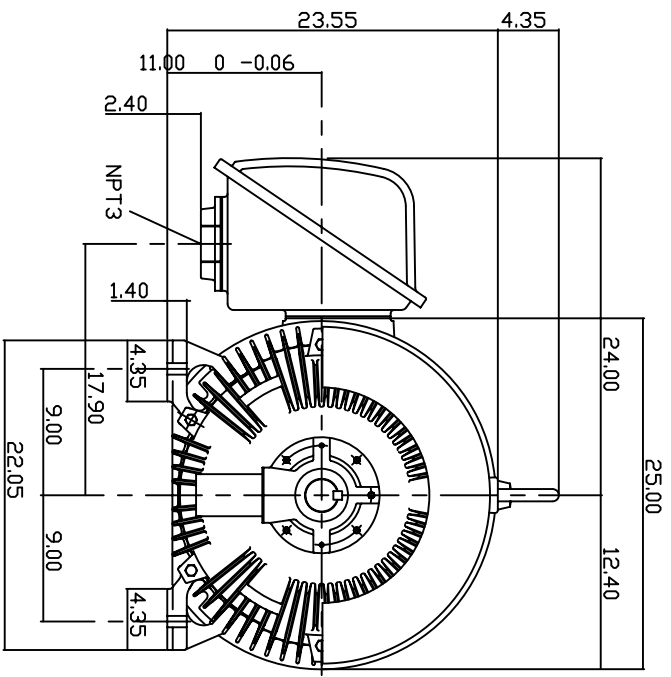
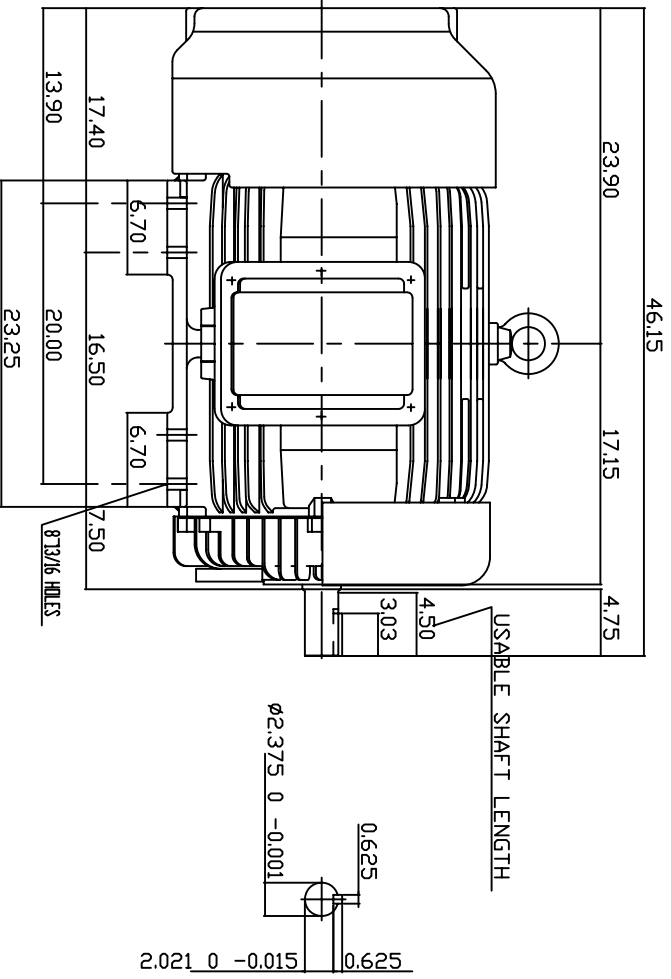


TYPE	OUTPUT		POLE	TIME RATING	VOLTAGE	Hz	SYNSPEED R.P.M
	HP.	KW.					
AEH8N	200	149.2	4	CONT.	380	50	1500

TOTALLY ENCLOSED FAN-COOLED TYPE, SQUIRREL-CAGE ROTOR



NOTE:

1. DIMENSIONS IN INCH
2. FRAME NO. 447TS
3. F CLASS INSULATION, S.F.10
4. FOR DIRECT FLEXIBLE COUPLING
5. ENCLOSURE: IP54
6. BEARING SIZE: DRIVE END: 6320  
NON-DRIVE END: 6316
7. APPROX. WEIGHT: 2300 LBS

TW-56C

DWN.	T.H.Pan	FEB-17 2005
CHKD.	H.HUANG	FEB-17 2005
APPD.	C.WANG	FEB-17 2005

Feb. 16, 2007

CAT # EP2004S-50

3-PHASE INDUCTION MOTOR

Westinghouse

DWG NO. 3A040Y685A

REV: 00