

11

10

9

8

7

6

5

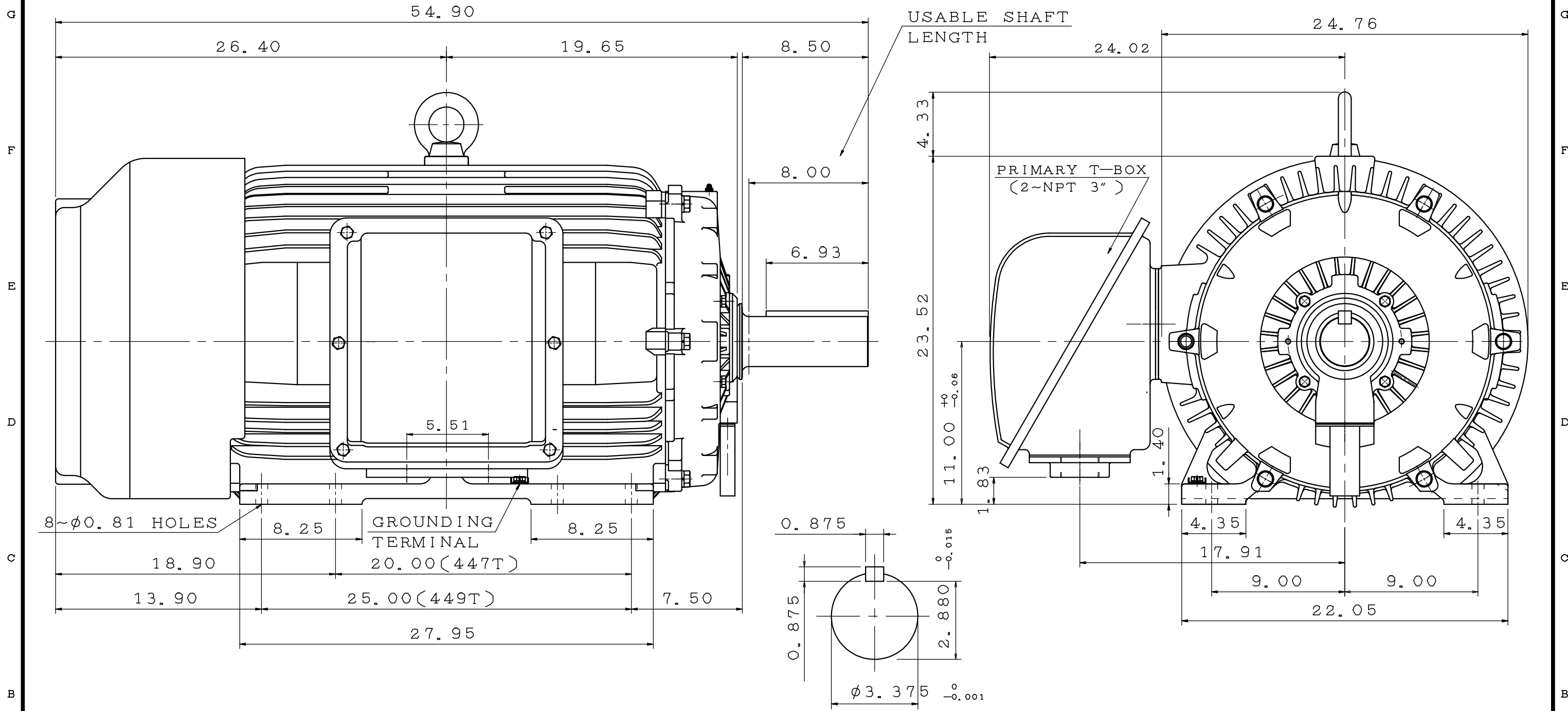
4

3

2

1

POLE	HP	kW	Hz	VOLT	r/min(RPM)	INS	RATING	DIMENSION IN	APPROX WEIGHT	BEARINGS
6	200	149	60	460	1200	F	CONT.	INCH	2272 lbs	DE: 6320 NDE: 6316



NOTE:

- FOR DIRECT FLEXIBLE COUPLING
- ENCLOSURE: IP55 PROTECTION

OUTLINE DIMENSIONS  
3-PHASE INDUCTION MOTOR

MOTOR TYPE	AEHH8N	FRAME NO.	449T
CATALOG NO:	EP2006	DATE	APRIL 1, 2020

APPD.	BEN. YANG	06.19.19
CHKD.	K. L. KUO	06.19.19
DWG.	K. L. KUO	06.15.19

**TECO** Westinghouse

DWG NO.  
31057C578230

第三角法

11

10

9

8

7

6

5

4

3

2

1