

11

10

9

8

7

6

5

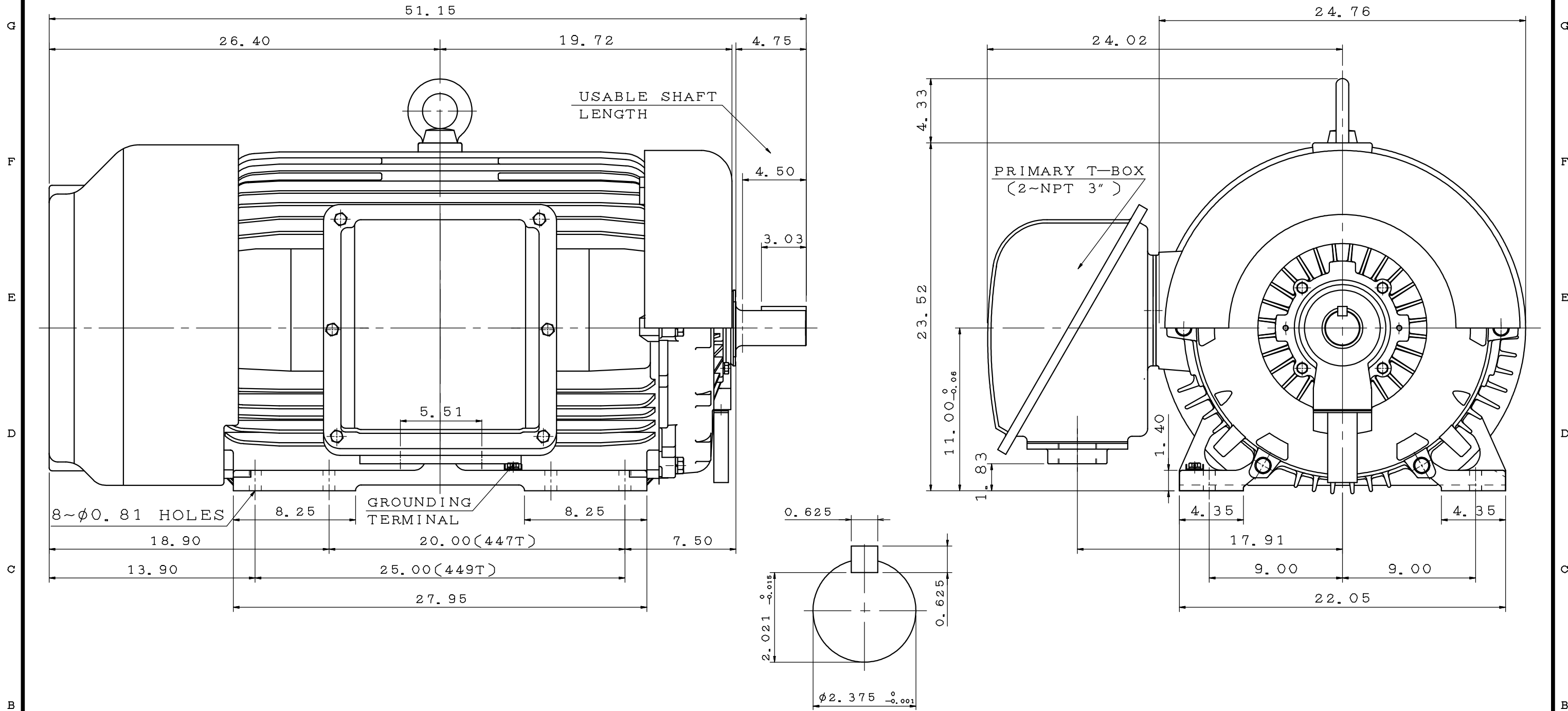
4

3

2

1

POLE	HP	kW	Hz	VOLT	r/min(RPM)	INS	RATING	DIMENSION IN	APPROX WEIGHT	BEARINGS
2	250	187	60	460	3600	F	CONT.	INCH	2132 lbs	DE: 6314C3 NDE: 6314C3



NOTE:
 1. FOR DIRECT FLEXIBLE COUPLING
 2. ENCLOSURE: IP55 PROTECTION

SHAFT END
ENLARGED VIEW

OUTLINE DIMENSIONS
3-PHASE INDUCTION MOTOR

MOTOR TYPE	AEHH8N	FRAME NO.	449TS
CATALOG NO:	EP2502	DATE	APRIL 1, 2020

APPD.	BEN. YANG	06•19•19
CHKD.	K. L. KUO	06•19•19
DWG.	K. L. KUO	06•13•19

TECO Westinghouse

DWG NO.
31057C578180

第三角法

11

10

9

8

7

6

5

4

3

2

1