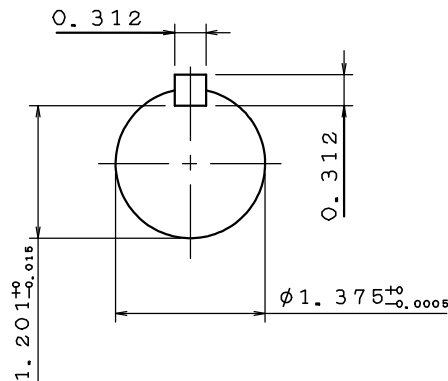
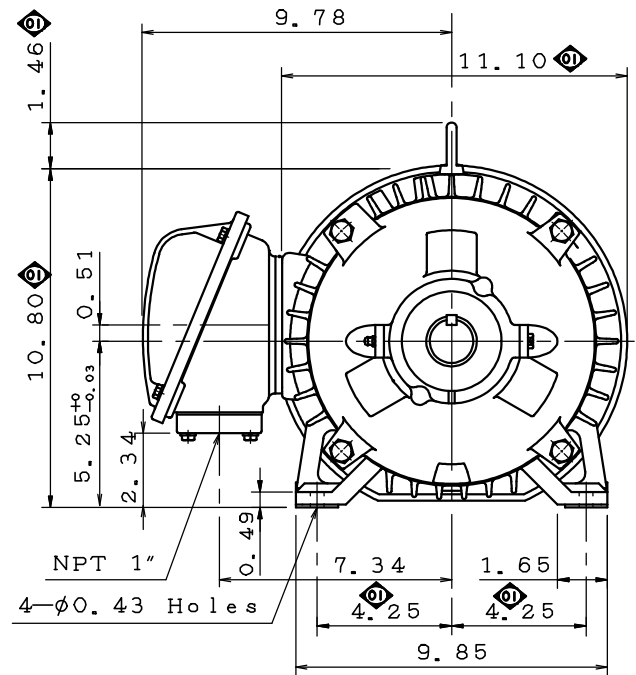
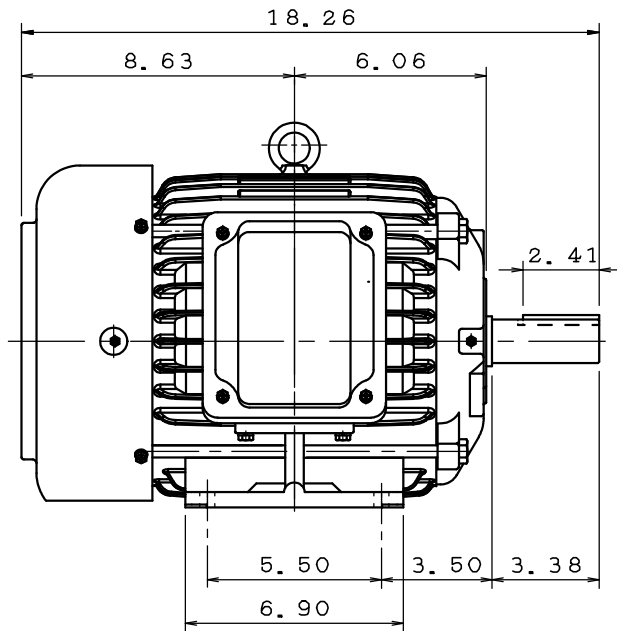


DATE APRIL 1, 2020	OUTLINE DIMENSIONS	MOTOR TYPE: AEHH8N-11-
CATALOG NO.: EP7/54		3-PHASE INDUCTION MOTOR

Pole	HP	kW	Hz	VOLT	r/min (rpm)
4	7.5	5.5	60	230/460	1800

Ins	Rating	Dimension in	Approx Weight	Bearings
F	CONT.	Inch	① 165 lbs	DE: 6308ZZ NDE: 6306ZZ

Totally Enclosed Fan-Cooled Type. Squirrel-Cage Rotor.



① 07 24 19 Weight & Dimensions Mahato

DWG.	W. F. PON	05.20.19	TECO Westinghouse	DWG NO.
CHKD.	M. C. JENG	05.30.19		31049R343041
APPD.	M. C. JENG	05.30.19		