

6

5

4

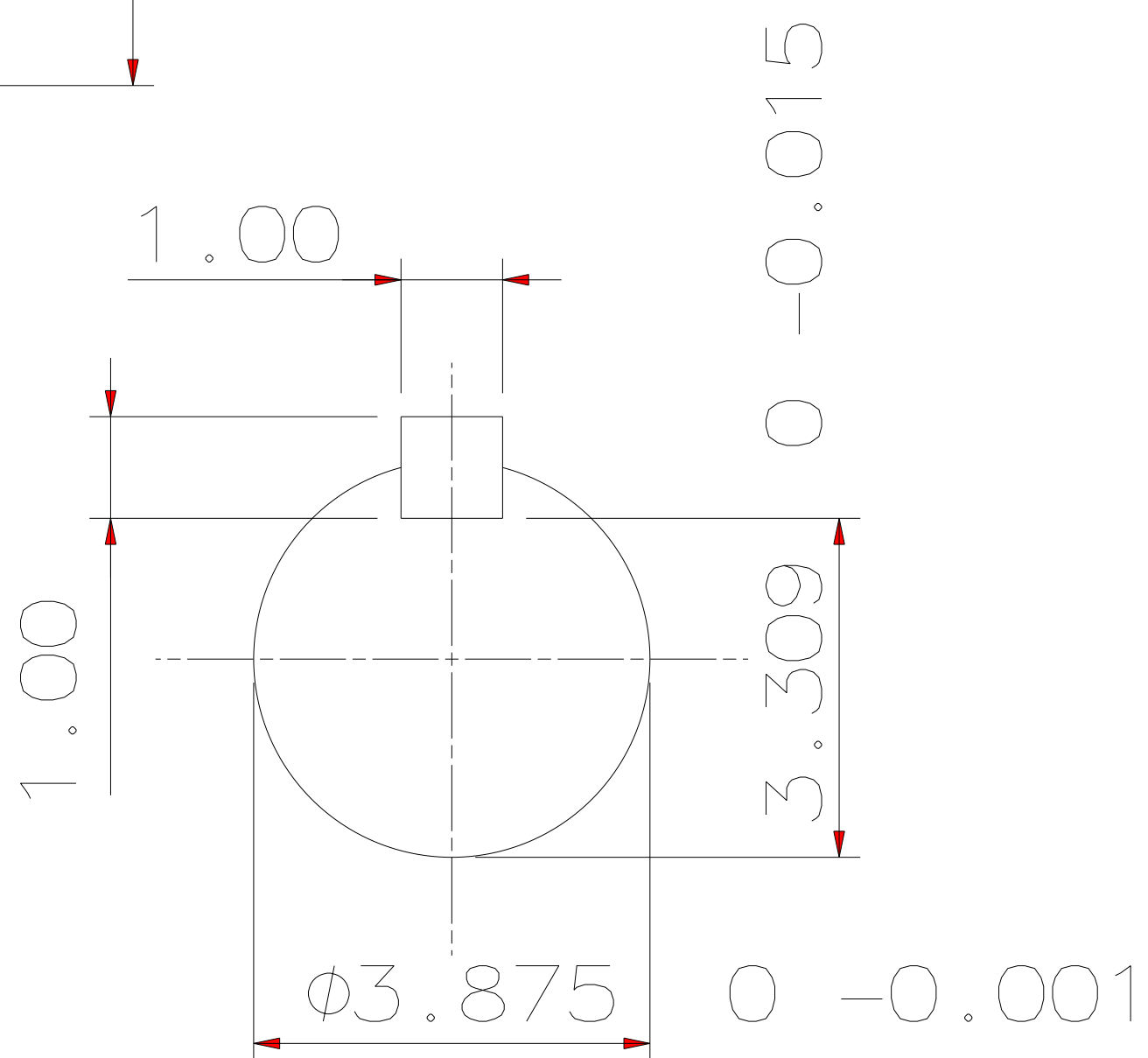
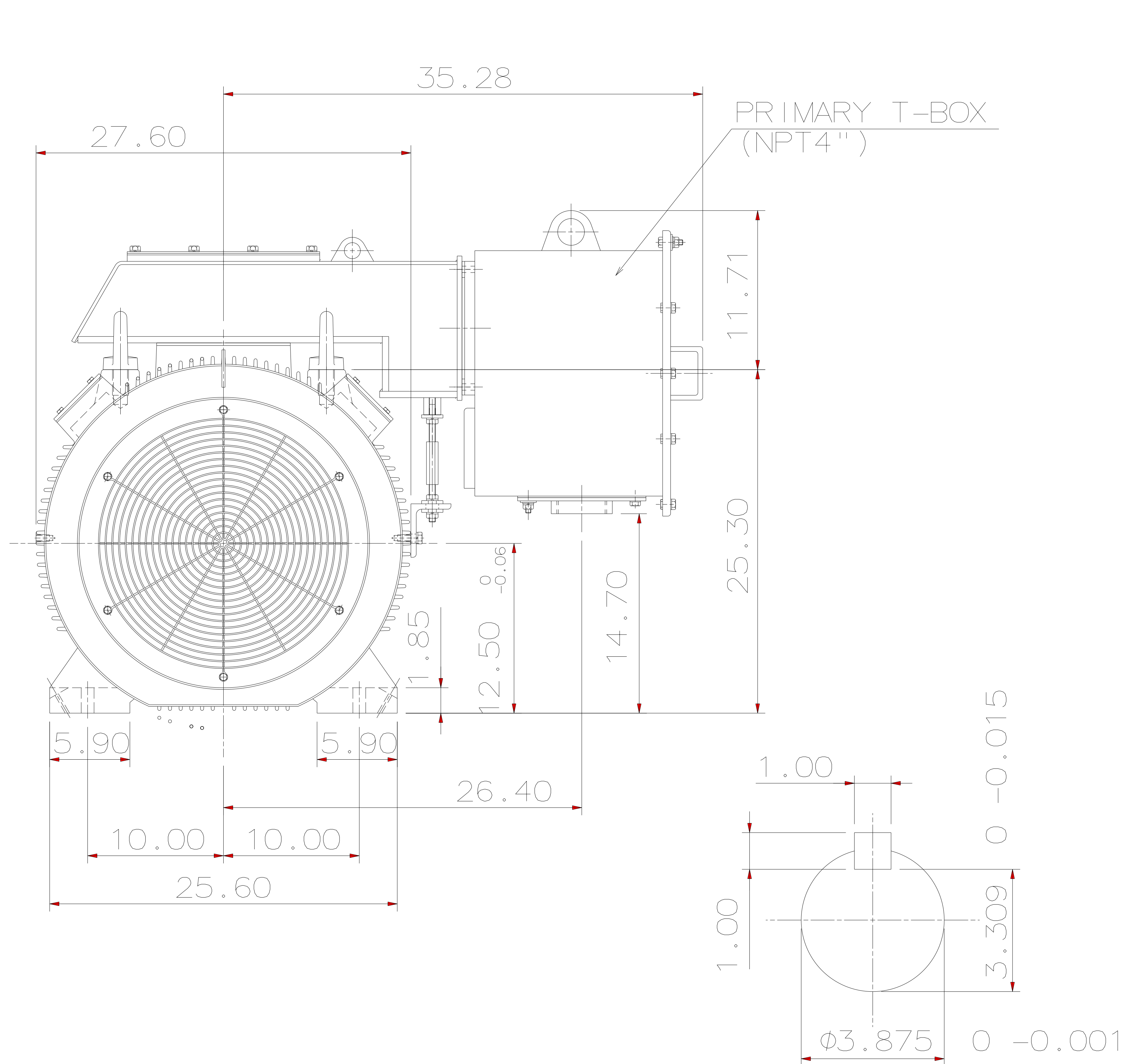
3

2

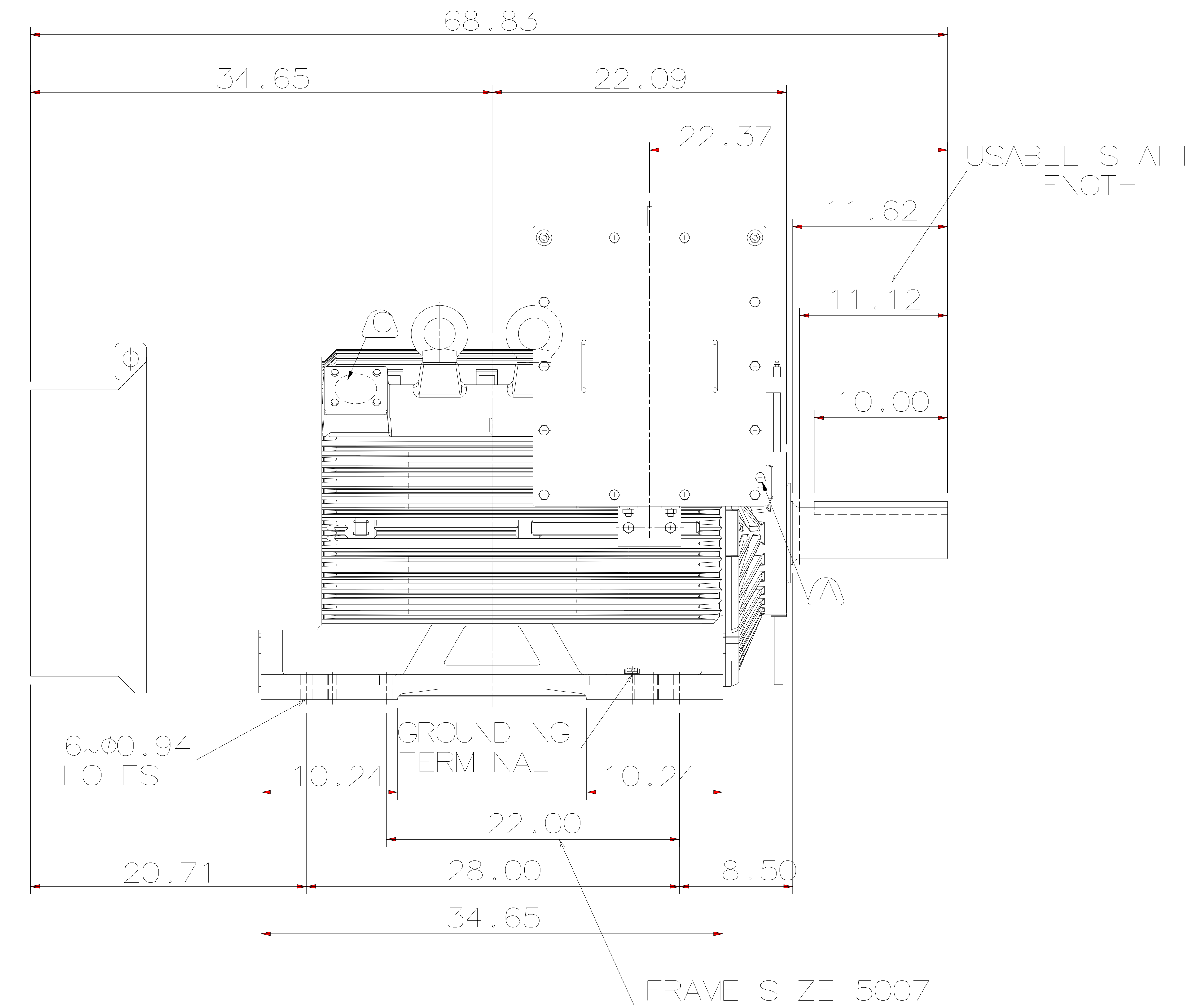
1

TYPE	OUTPUT		POLE	TIME RATING	VOLTAGE V	Hz	SYN. SPEED R.P.M
	HP.	kW.					
AFHH	300	224	8	CONT.	2300/4000	60	900

TOTALLY ENCLOSED FAN-COOLED, TYPE. SQUIRREL-CAGE ROTOR



SHAFT END (ENLARGED VIEW)



USABLE SHAFT LENGTH

FRAME SIZE 5007

NOTE:

- 1. DIMENSIONS IN inch
- 2. FRAME NO. 5009B
- 3. F CLASS INSULATION
- 4. FOR DIRECT FLEXIBLE COUPLING
- 5. ENCLOSURE: IP55
- 6. BEARING SIZE: DRIVE-END NU324
OPP. DRIVE-END 6320C3
- 7. MOTOR APPROX. WEIGHT: 4300 lb
- ⓑ FOR BEARING RTD, END BRACKETS SHALL BE PRE-DRILLED AND PLUGGED.
- Ⓒ FOR AUXILIARY, FRAME SHALL BE PRE-DRILLED AND COVERD WITH STEEL PLATE.

DATE	APRIL 14, 2020	OUTLINE DIMENSIONS
CATALOG NO.:	EPF3008R	

DWN.	L. JHENG	APR. 22. 2019
CHKD.	H. WANG	APR. 23. 2019
APPD.	C. WANG	APR. 23. 2019



DWG NO. REV:01
5A040C164

6

5

4

3

2

1