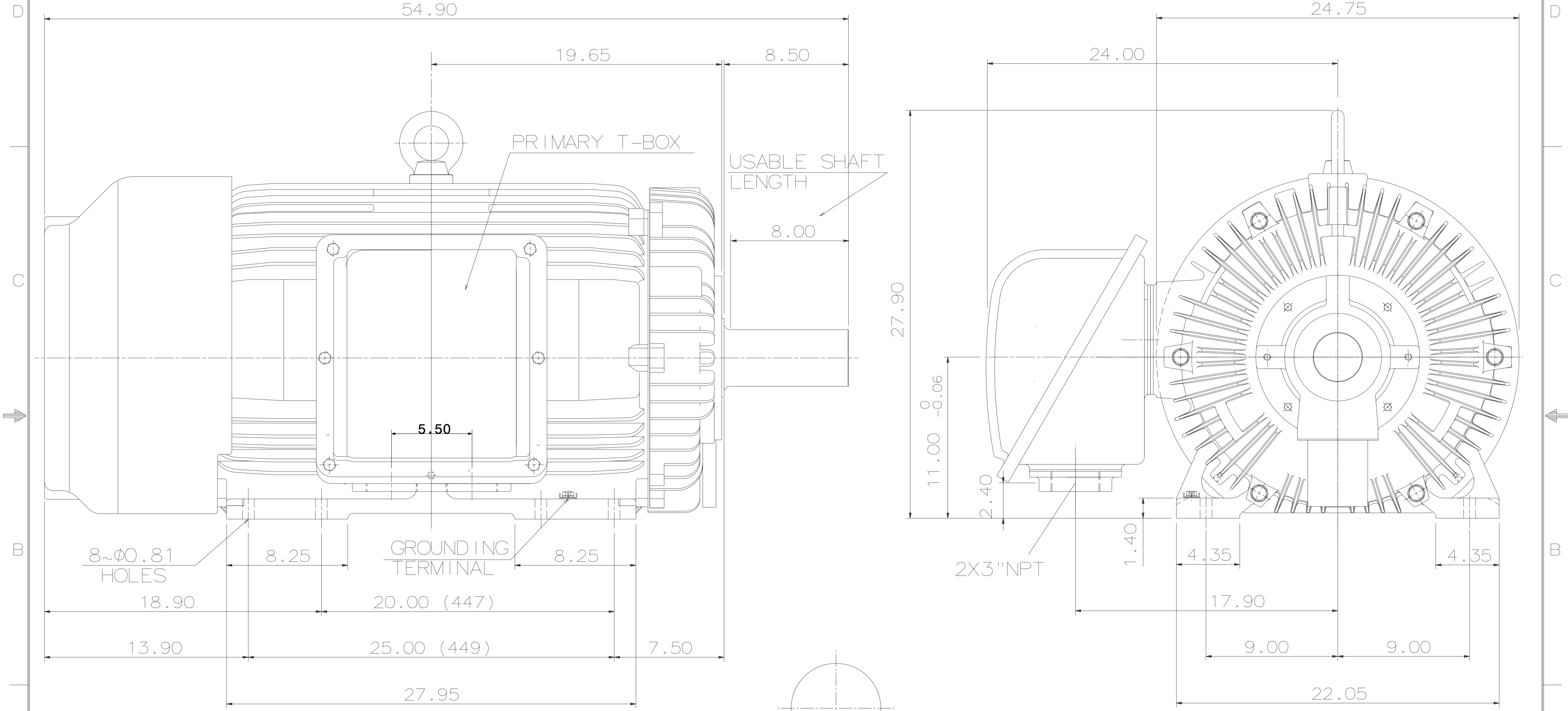


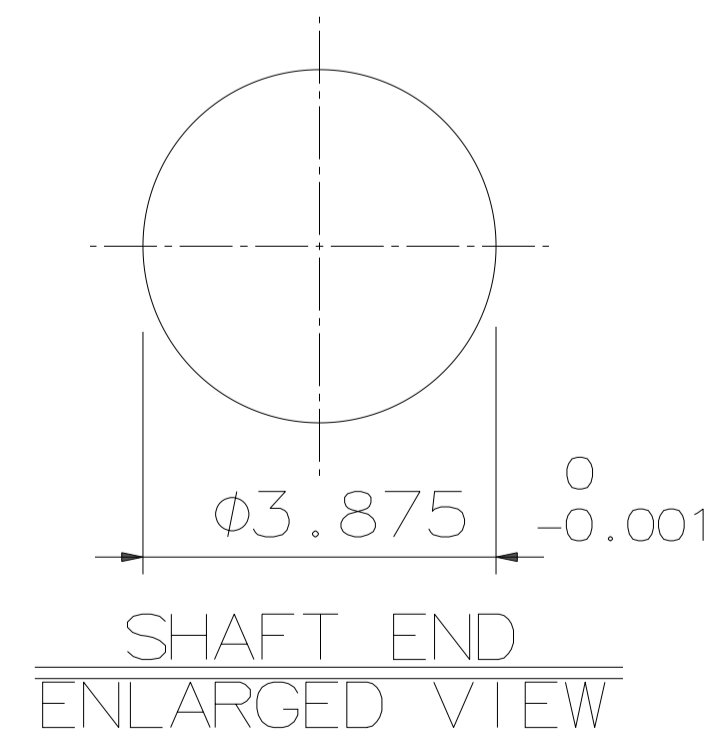
TYPE	OUTPUT		POLE	TIME RATING	VOLTAGE V	Hz	SYN. SPEED R.P.M
	HP.	kW.					
AEHHSY	200	149	8	CONT.	460	60	900

TOTALLY ENCLOSED FAN-COOLED TYPE. SQUIRREL-CAGE ROTOR



NOTE:

1. DIMENSIONS IN INCH.
2. FRAME NO. 449TY
3. F CLASS INSULATION, S.F.1.15
4. FOR DIRECT FLEXIBLE COUPLING
5. ENCLOSURE: IP55
6. BEARING SIZE: DRIVE-END 6224
OPP. DRIVE-END 6316
7. MOTOR APPROX. WEIGHT: 2300 LBS



DATE	12/7/15	OUTLINE DIMENSIONS	
CATALOG#	EPY2008	3-PHASE INDUCTION MOTOR	
TECO Westinghouse		DWG NO.	REV: 00
		31057C547651	

DWN.	S.H.SHEN	03-07-14
CHKD.	S.H.SHEN	03-07-14
APPD.	C.H.SHYU	03-07-14