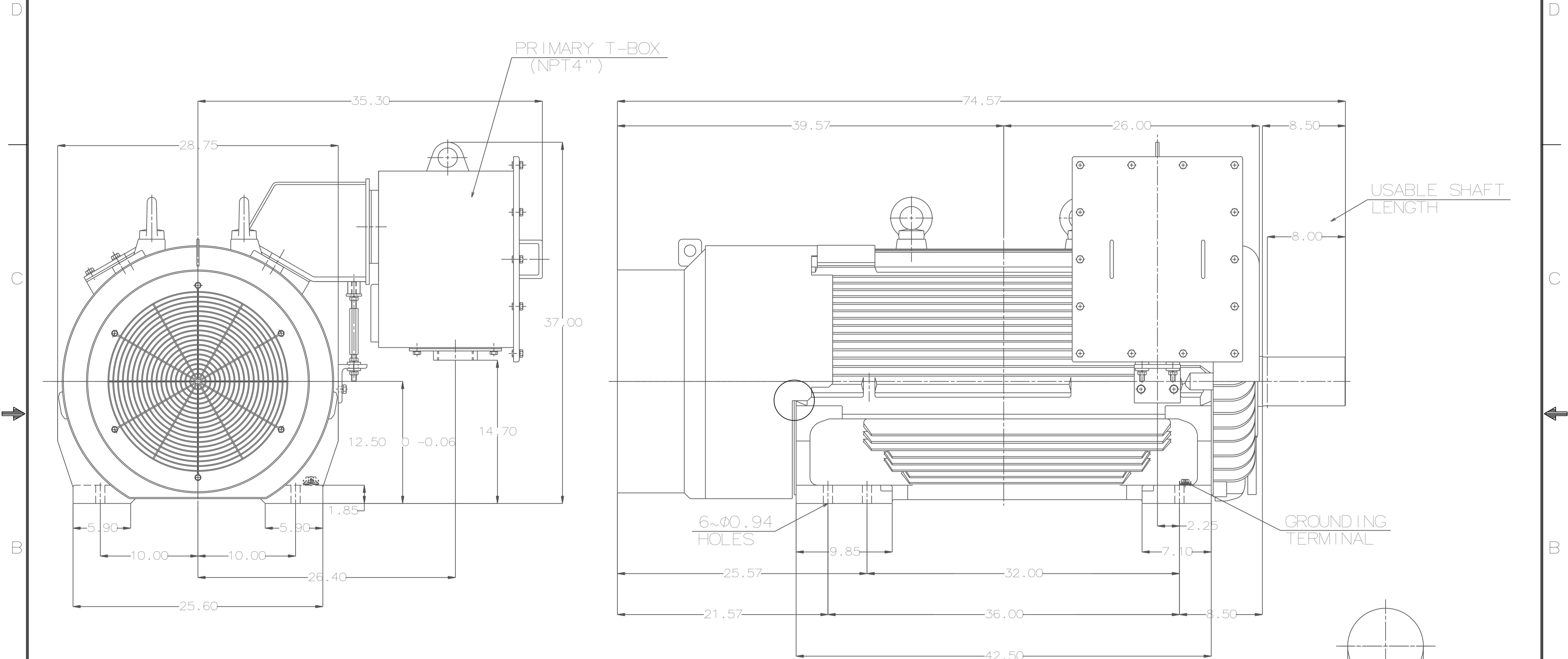


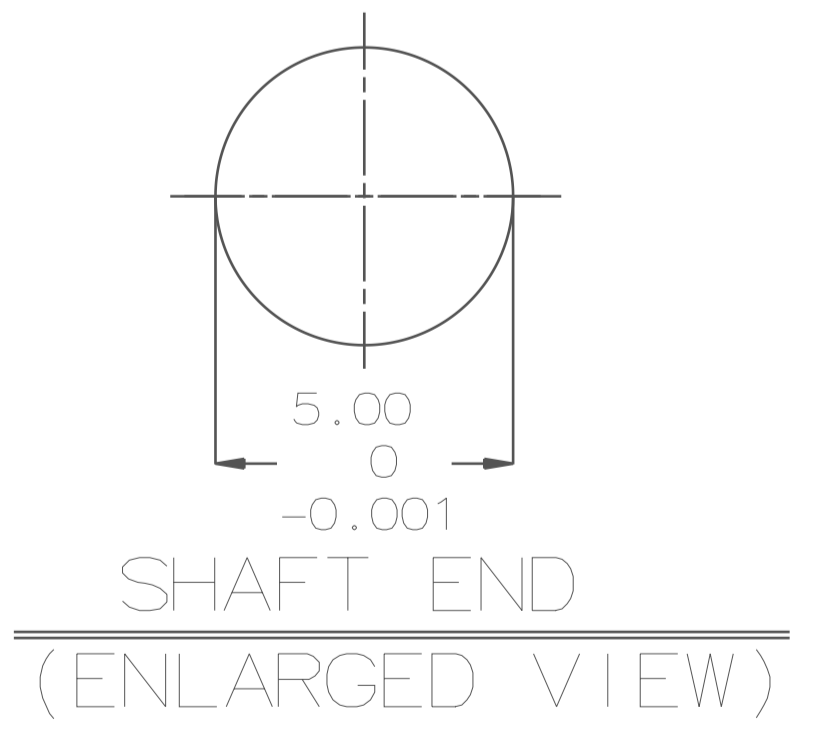
TYPE	OUTPUT		POLE	TIME RATING	VOLTAGE V	Hz	SYN. SPEED R.P.M
	HP.	kW.					
AEHHSY	400	298.4	6	CONT.	460	60	1200

TOTALLY ENCLOSED FAN-COOLED TYPE. SQUIRREL-CAGE ROTOR



NOTE:

1. DIMENSIONS IN inch
2. FRAME NO. 5011UZ
3. F CLASS INSULATION, S.F.1.15
4. FOR DIRECT FLEXIBLE COUPLING
5. ENCLOSURE: IP55
6. BEARING SIZE: DRIVE-END 6326C3
OPP. DRIVE-END 6320C3
7. MOTOR APPROX. WEIGHT: 4900 LBS



DATE	12/7/15	OUTLINE DIMENSIONS
CATALOG #	EPY4006	

DWN.	J. CHANG	MAR. 05. 2015
CHKD.	H. HUANG	MAR. 05. 2015
APPD.	C. LIU	MAR. 05. 2015

TECO Westinghouse

DWG NO. 4B040G892 REV:00