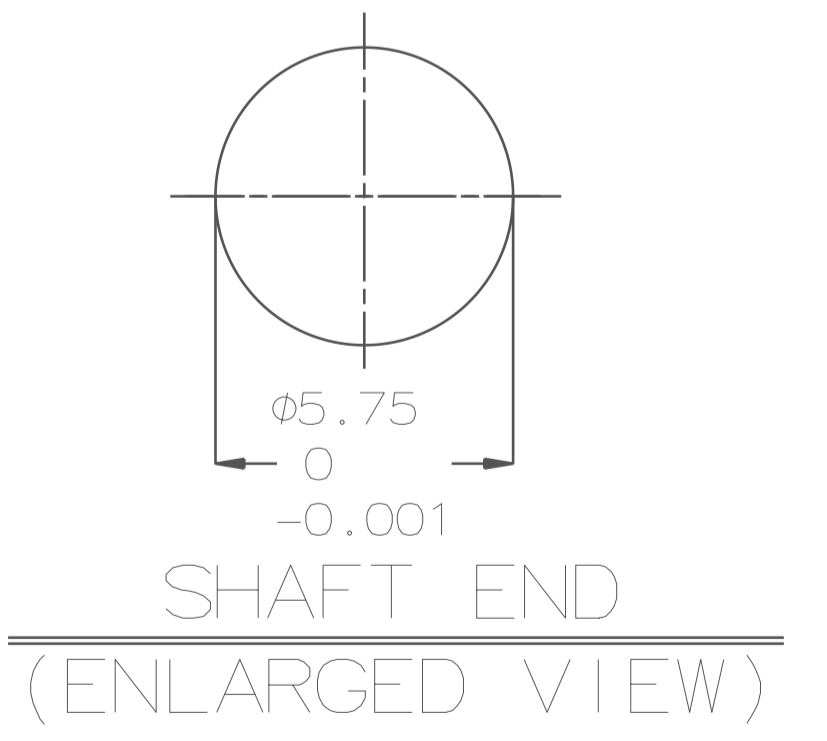
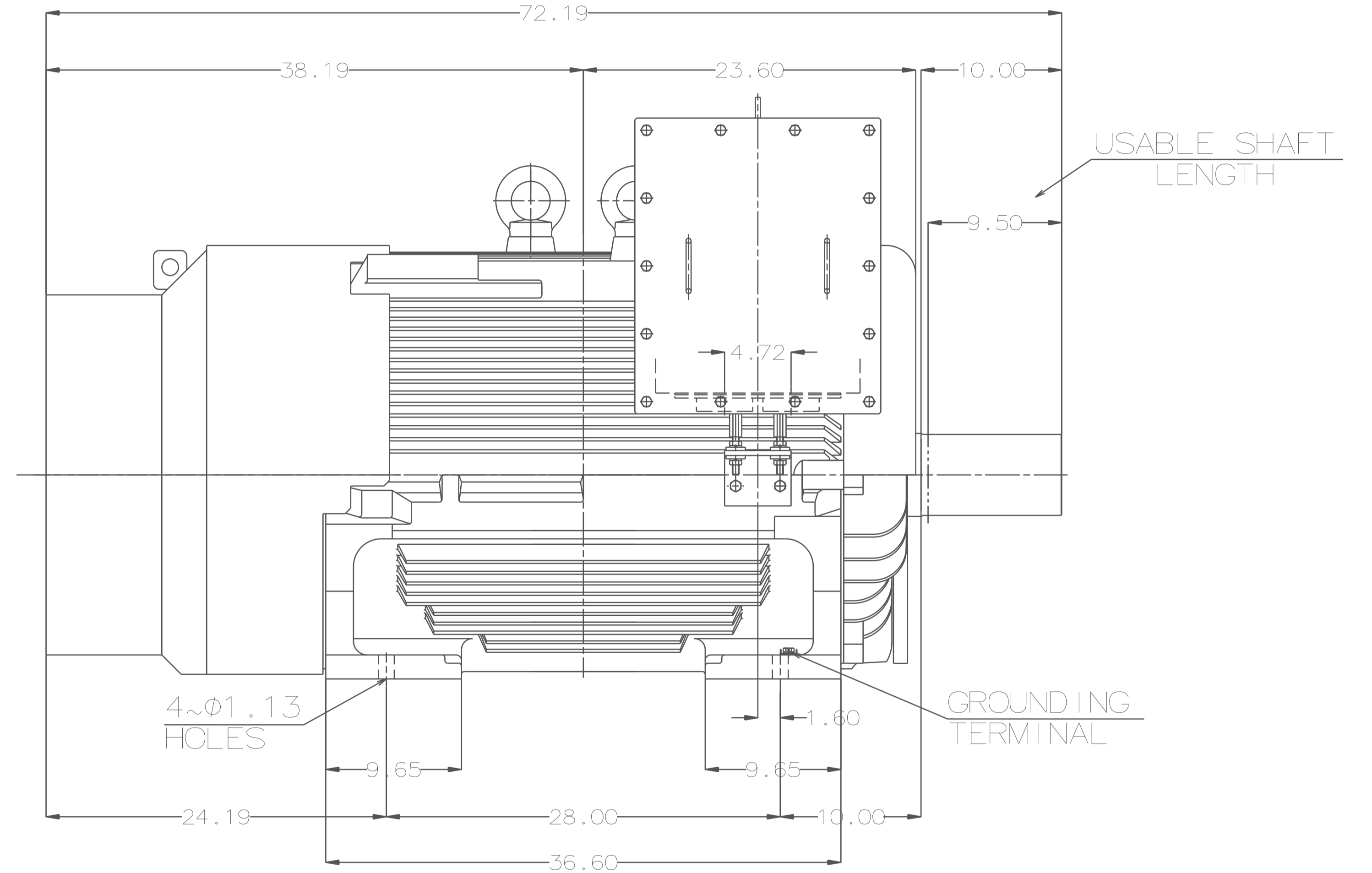
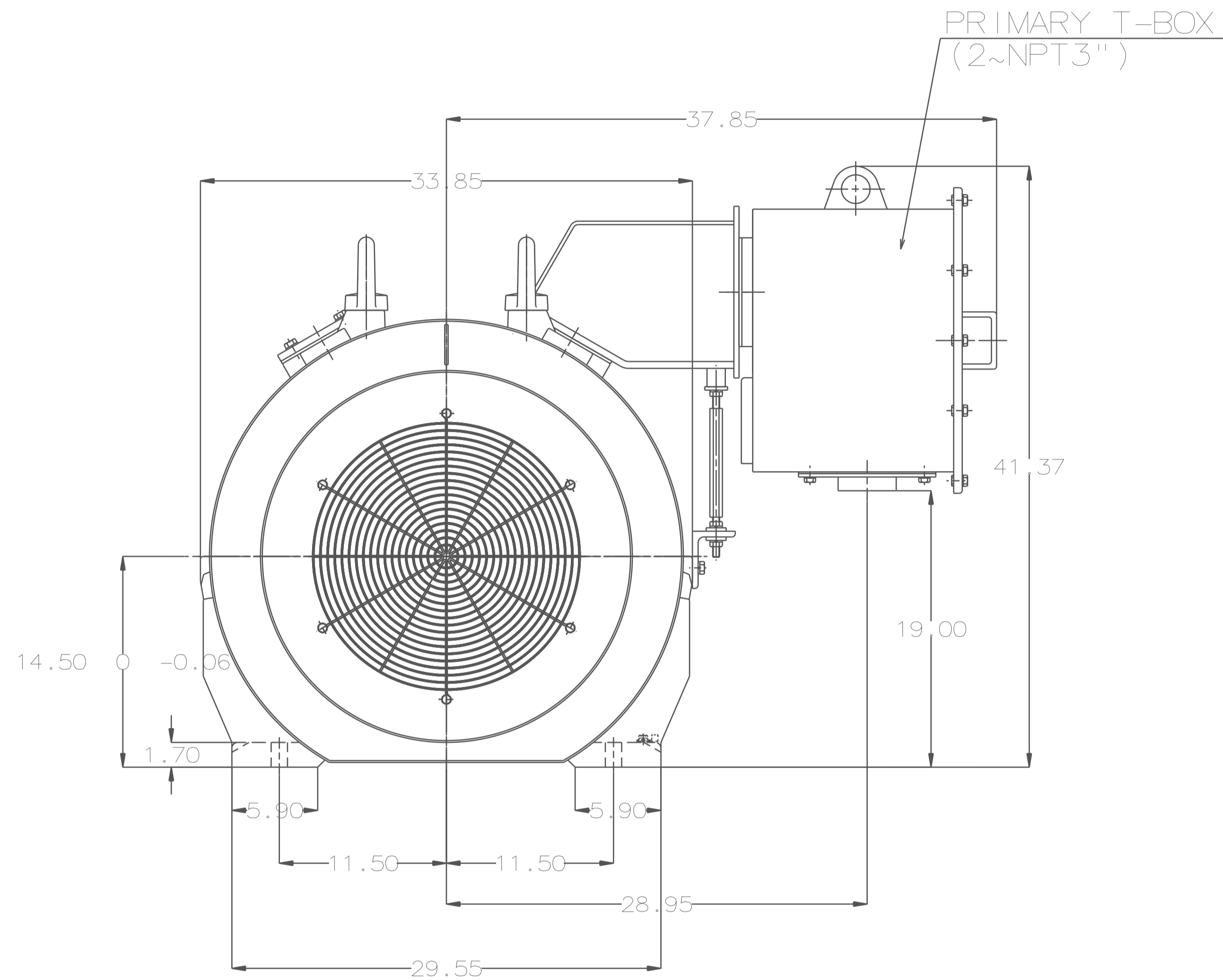


TYPE	OUTPUT		POLE	TIME RATING	VOLTAGE V	Hz	SYN. SPEED R.P.M
	HP.	kW.					
AEHHSY	500	373	6	CONT.	460	60	1200

TOTALLY ENCLOSED FAN-COOLED TYPE. SQUIRREL-CAGE ROTOR



NOTE:

1. DIMENSIONS IN inch
2. FRAME NO. 5808UZ
3. F CLASS INSULATION, S.F.1.15
4. FOR DIRECT FLEXIBLE COUPLING
5. ENCLOSURE: IP55
6. BEARING SIZE: DRIVE-END 6330C3
OPP. DRIVE-END 6322C3
7. MOTOR APPROX. WEIGHT: 5600 LBS

DATE	12/7/15	OUTLINE DIMENSIONS
CATALOG #	EPY5006	

DWN.	J. CHANG	MAR.05.2015
CHKD.	H. HUANG	MAR.05.2015
APPD.	C. L IU	MAR.05.2015

TECO Westinghouse

DWG NO. 4B040G895 REV:00