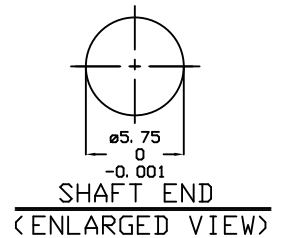
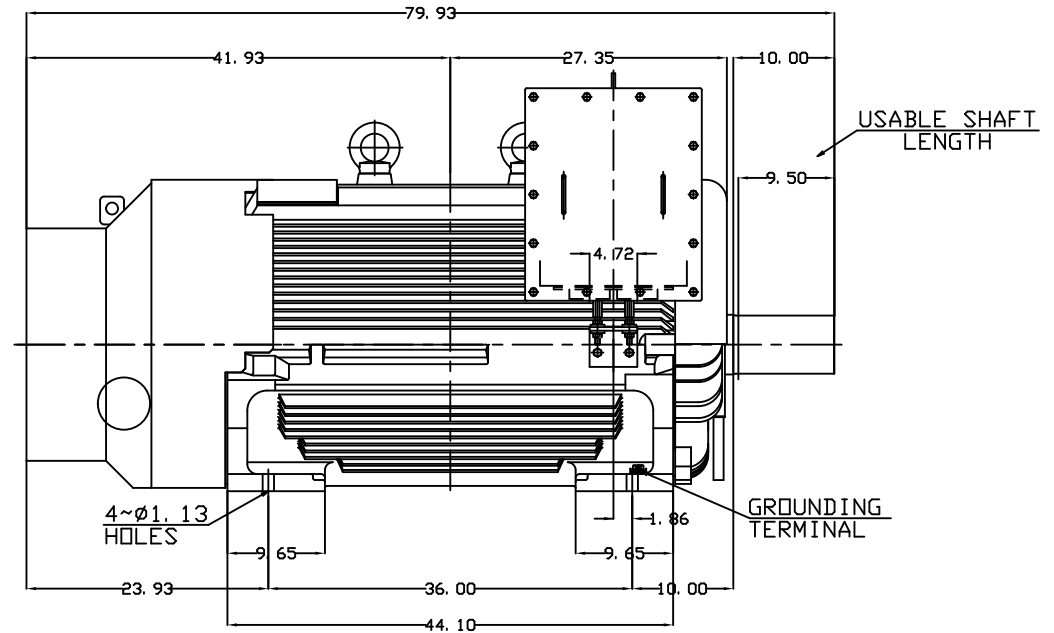
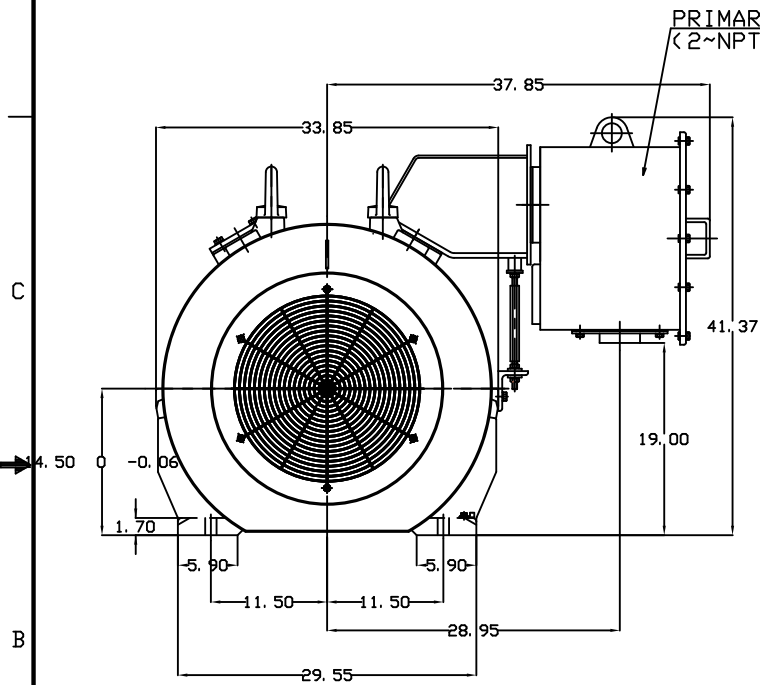


| TYPE | OUTPUT | | POLE | TIME RATING | VOLTAGE V | Hz | SYN. SPEED R. P. M |
|---------|--------|-------|------|-------------|-----------|----|--------------------|
| | HP. | kW. | | | | | |
| AEHE-SY | 700 | 522.2 | 4 | CONT. | 460 | 60 | 1800 |

TOTALLY ENCLOSED FAN-COOLED TYPE, SQUIRREL-CAGE ROTOR



NOTE:

1. DIMENSIONS IN inch
2. FRAME NO. 5810UZ
3. F CLASS INSULATION, S. F. 1.15
4. FOR DIRECT FLEXIBLE COUPLING
5. ENCLOSURE: IP55
6. BEARING SIZE: DRIVE-END 6330C3
OPP. DRIVE-END 6322C3
7. MOTOR APPROX. WEIGHT: 6800 LBS

DATE 12/7/15 OUTLINE DIMENSIONS

CATALOG # EY7004 3-PHASE INDUCTION MOTOR

| | | |
|-------|----------|-------------|
| DWN. | J. CHANG | MAR-05-2015 |
| CHKD. | H. HUANG | MAR-05-2015 |
| APPD. | C. LIU | MAR-05-2015 |

TECO Westinghouse

DWG NO. REV: 00
4B040G897