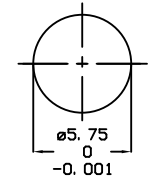
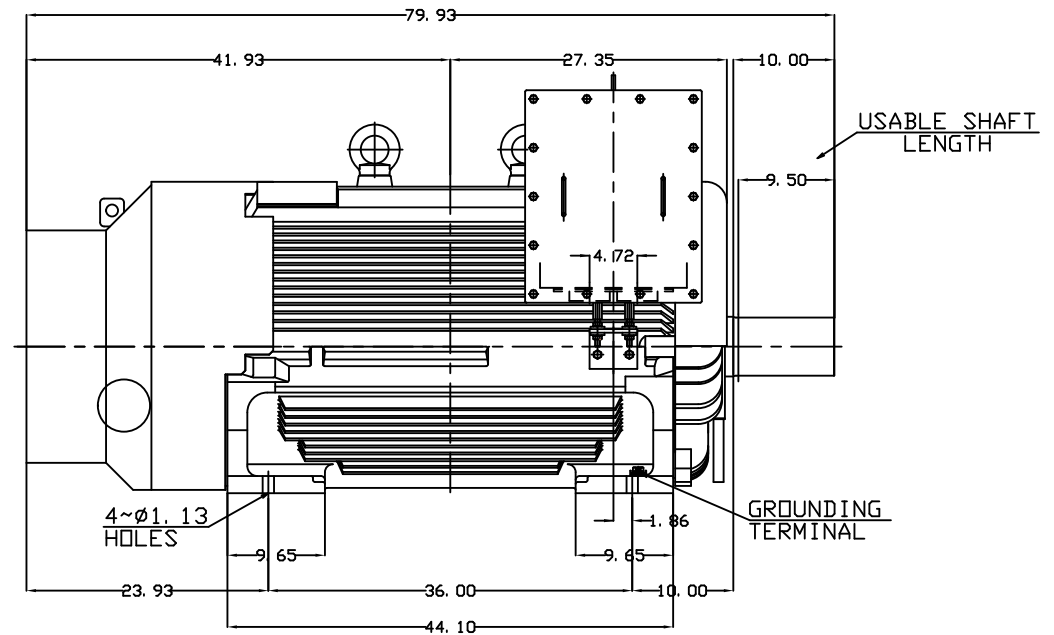
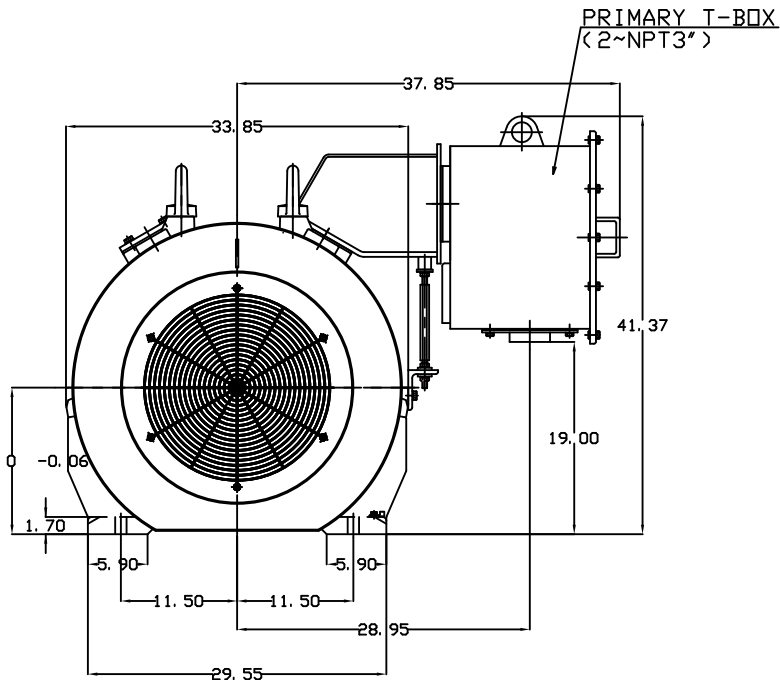


TYPE	OUTPUT		POLE	TIME RATING	VOLTAGE V	Hz	SYN. SPEED R. P. M
	HP.	kW.					
AEHE-SY	800	596.8	4	CONT.	460	60	1800

TOTALLY ENCLOSED FAN-COOLED TYPE, SQUIRREL-CAGE ROTOR



NOTE:

- DIMENSIONS IN inch
- FRAME NO. 5810UZ
- F CLASS INSULATION, S. F. 1.15
- FOR DIRECT FLEXIBLE COUPLING
- ENCLOSURE: IP55
- BEARING SIZE: DRIVE-END 6330C3
OPP. DRIVE-END 6322C3
- MOTOR APPROX. WEIGHT: 7250 LBS

DATE	12/7/15	OUTLINE DIMENSIONS
CATALOG #	EY8004	3-PHASE INDUCTION MOTOR

DWN.	J. CHANG	MAR·05·2015
CHKD.	H. HUANG	MAR·05·2015
APPD.	C. LIU	MAR·05·2015

TECO Westinghouse

DWG NO. REV: 00
4B040G897