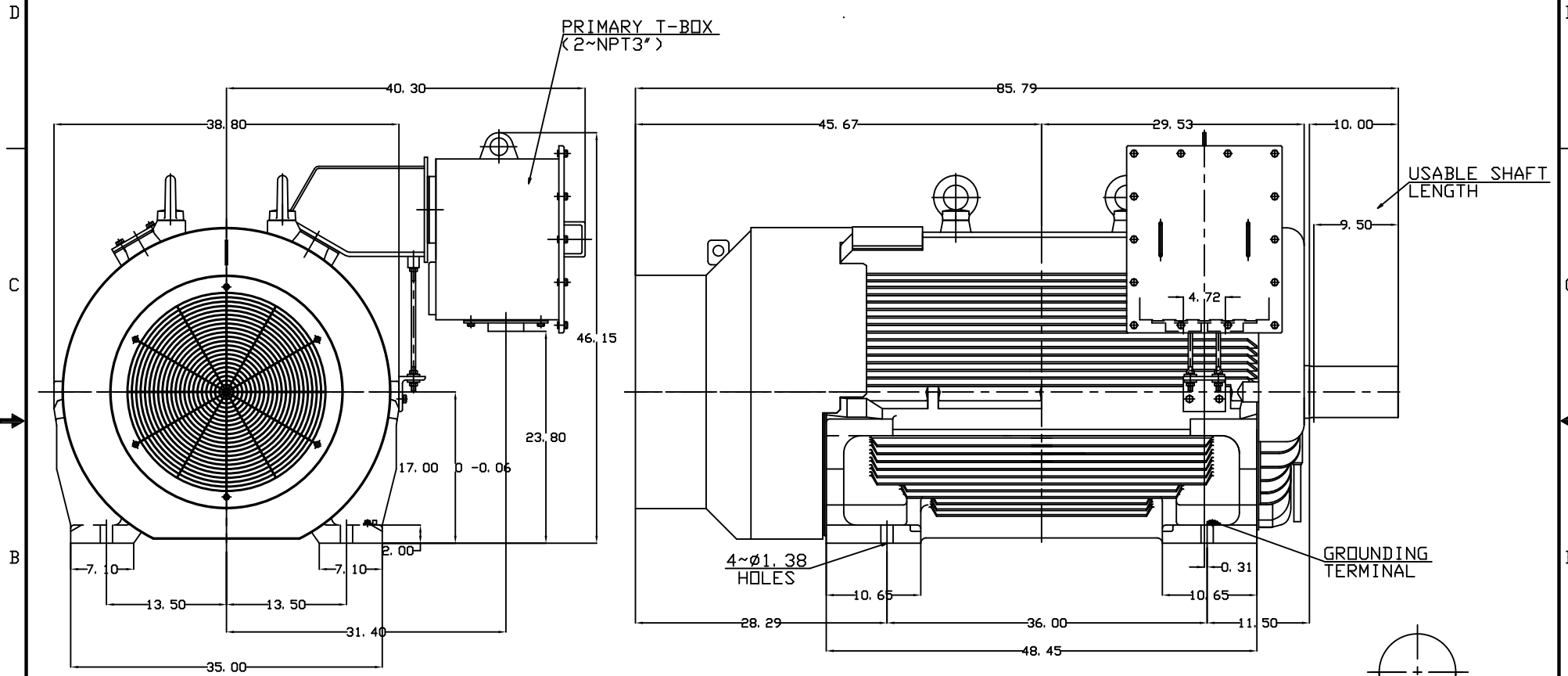


TYPE	OUTPUT		POLE	TIME RATING	VOLTAGE V	Hz	SYN. SPEED R. P. M
	HP.	KW.					
AEHE-SY	800	596.8	6	CONT	460	60	1200

TOTALLY ENCLOSED FAN-COOLED TYPE, SQUIRREL-CAGE ROTOR

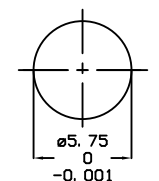
PRIMARY T-BOX
(2~NPT3")



USABLE SHAFT LENGTH

4~ ϕ 1.38 HOLES

GROUNDING TERMINAL



SHAFT END
(ENLARGED VIEW)

NOTE:

- DIMENSIONS IN inch
- FRAME NO. 6808UZ
- F CLASS INSULATION, S.F.1.15
- FOR DIRECT FLEXIBLE COUPLING
- ENCLOSURE: IP55
- BEARING SIZE: DRIVE-END 6330C3
OPP. DRIVE-END 6322C3
- MOTOR APPROX. WEIGHT: 8000 LBS

DATE	12/7/15	OUTLINE DIMENSIONS	
CATALOG #	EY8006	3-PHASE INDUCTION MOTOR	
DWG NO.	4B040G900	REV:	00

DWN.	J. CHANG	MAR-06-2015
CHKD.	H. HUANG	MAR-06-2015
APPD.	C. LIU	MAR-06-2015

