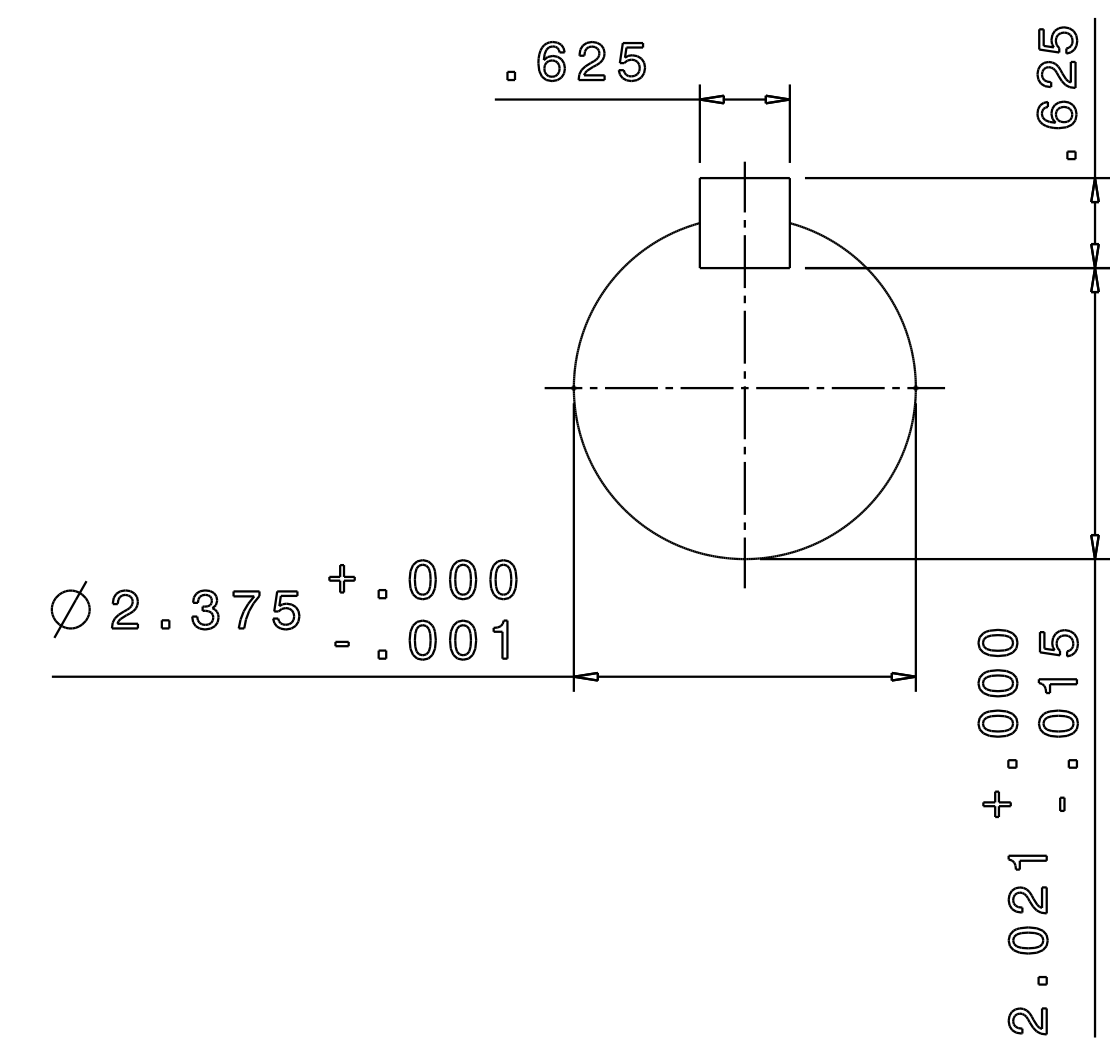
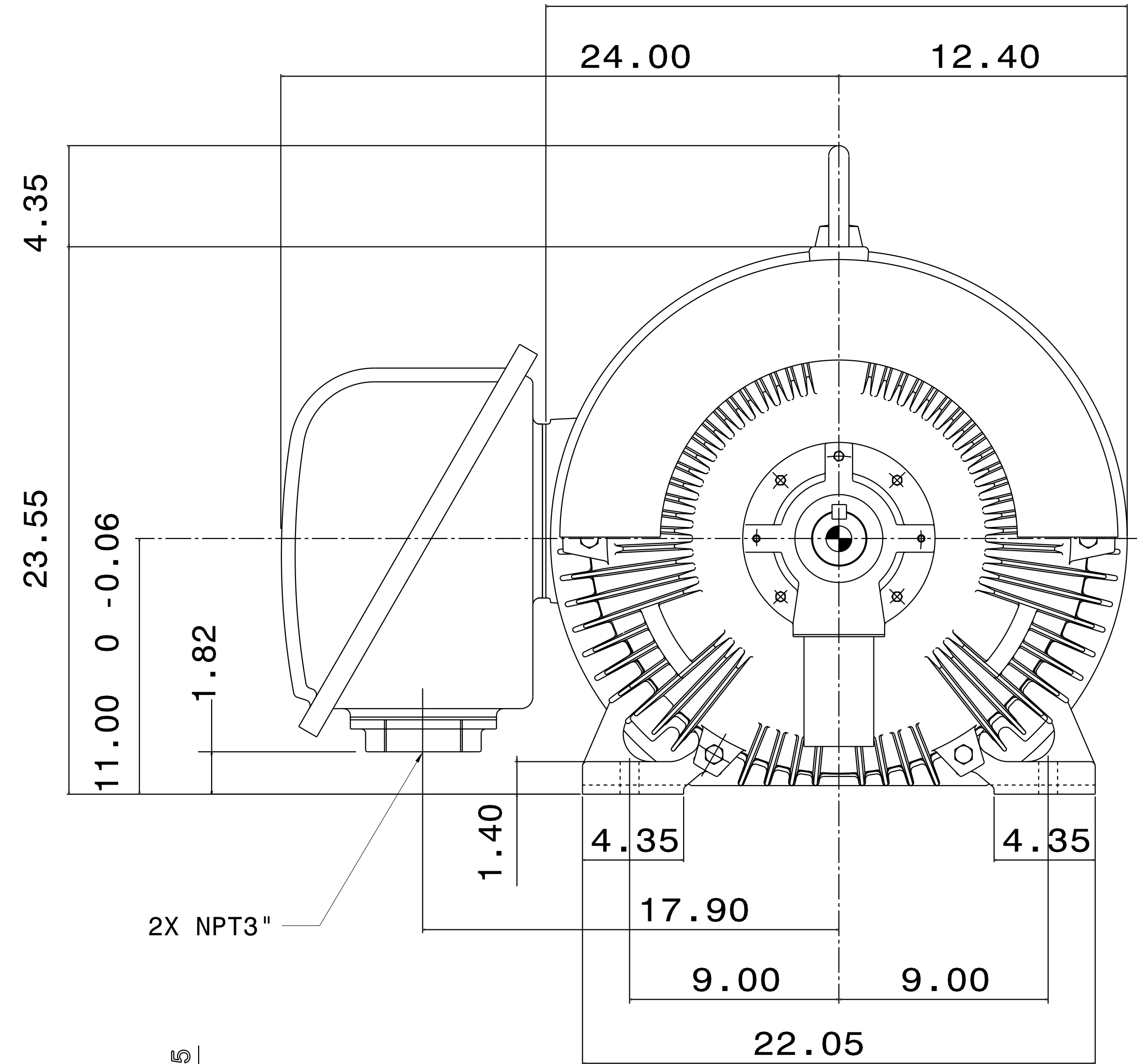
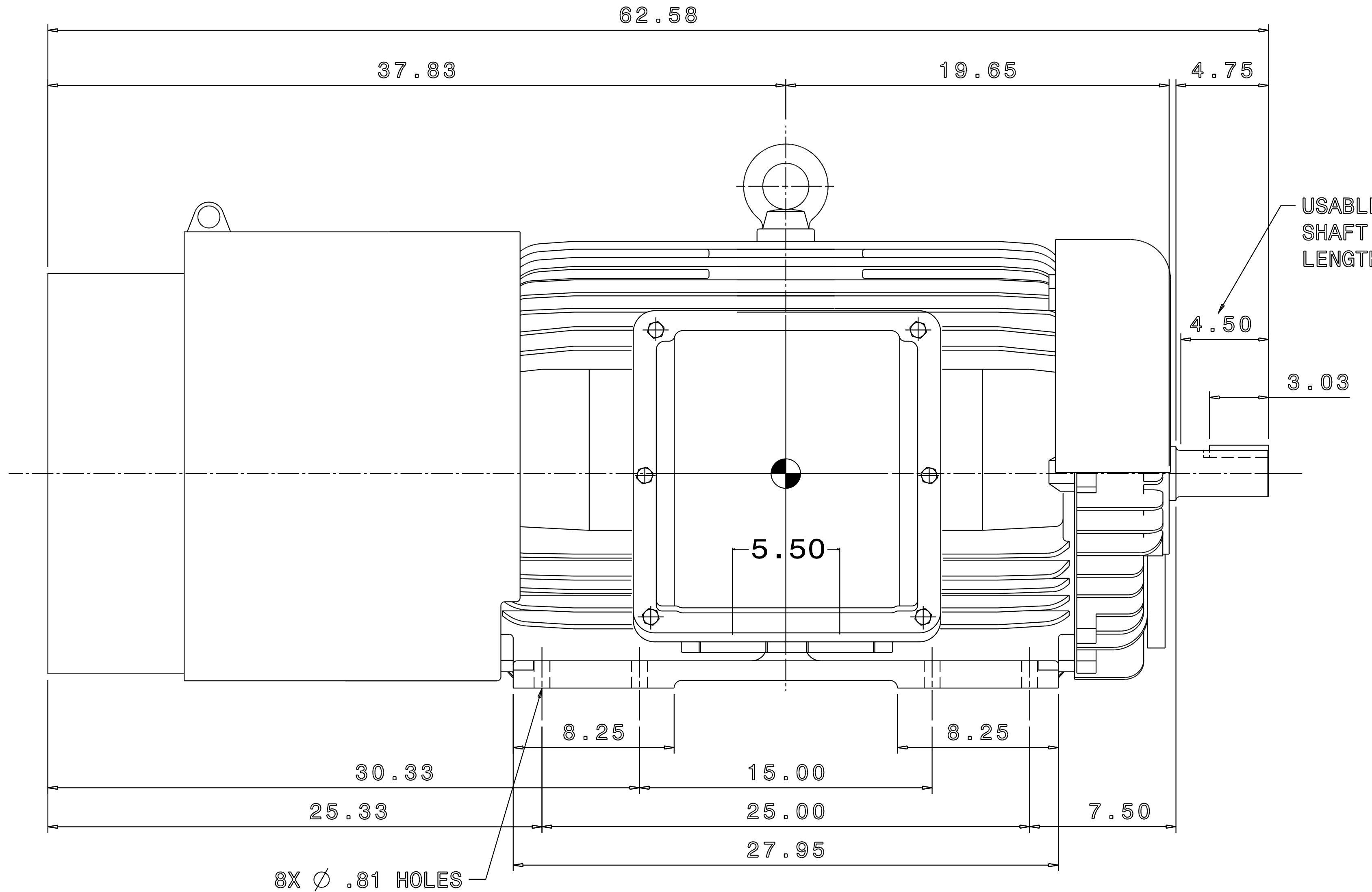
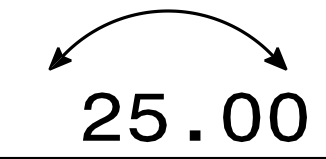


CATALOG #	TYPE	FRAME	OUTPUT		POLE	SYN. SPEED R.P.M.	VOLTAGE V.	Hz.	INS	TIME RATING	DIM INCHES	BEARINGS		WEIGHT LBS
			HP	KW								DE	NDE	
HB3002	AEHH8B	449TS	300	224	2	3600	460	60	F	CONT.		6314C3	6314C3	2550

TOTALLY ENCLOSED FAN-COOLED TYPE. SQUIRREL CAGE MOTOR

ROTATION



- NOTE:
- ENCLOSURE: IP55.
 - VIBRATION NOT TO EXCEED 0.08 INCHES PER SECOND.
 - NOISE LEVEL NOT TO EXCEED 85 DB(A) AT 1 METER UNLOADED.
 - EPOXY PAINT BLUE MUNSEL (5PB 3/8).
 - MOTOR TERMINAL BOX IS OVERSIZED
 - INPRO SEAL BOTH ENDS.
 - ALL STAINLESS STEEL HARDWARE.
 - NON-SPARKING FAN (PLASTIC).
 - REGREASEABLE WITH MOBIL POLYREX EM GREASE.
 - CSA CERTIFIED FOR CLASS I, DIV 2, GROUPS B, C, D - Temp Code T2D/T2D (SINE SF 1.15/VFD 1.0).
 - MEETS IEEE-841.

TW-56BC

REF: 31057C562890	REV. DATA		
	TECO Westinghouse		REV NO 00
	OUTLINE DIMENSIONS 3-PHASE INDUCTION MOTOR		DWG NO. 3A040Y703
	DWN T. BOGDANICH	081624	APPD
TECO-WESTINGHOUSE MOTOR COMPANY		ROUND ROCK, TEXAS	USA