

DATE
Sept. 12, 2005
CAT. #: HHO054-50

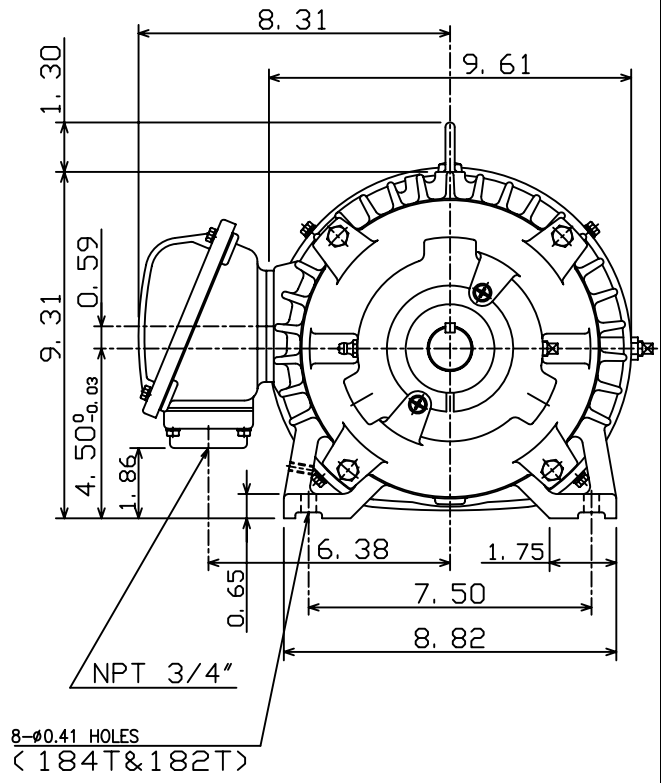
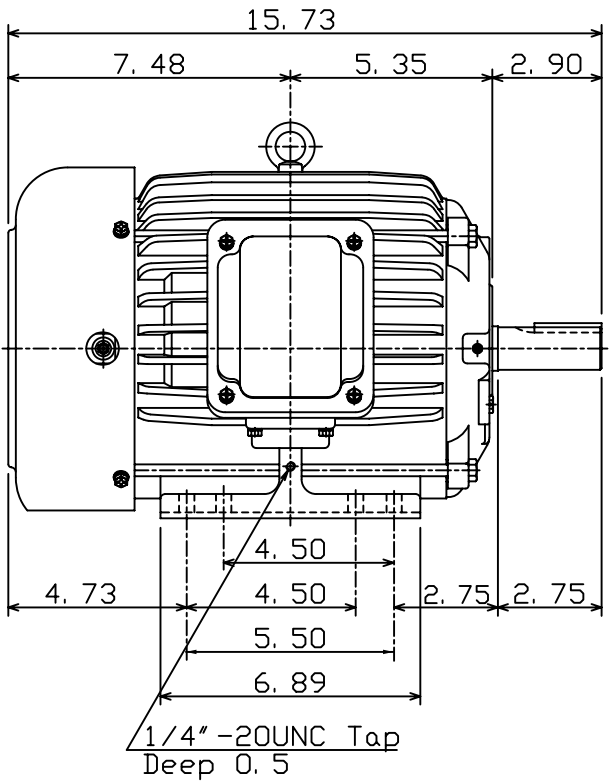
OUTLINE DIMENSIONS
3-PHASE INDUCTION MOTOR

MOTOR TYPE:
AEHH
FRAME NO. 184T

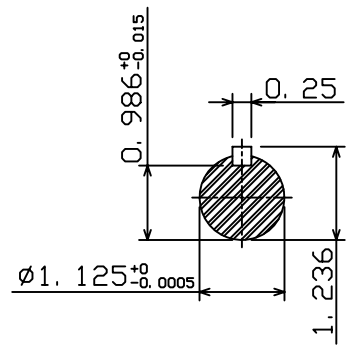
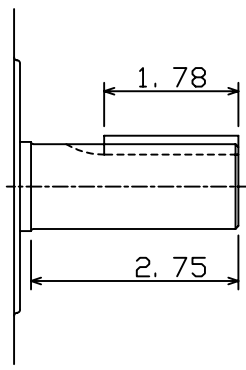
| Pole | HP | kW | Hz | VOLT | Syn. Speed r/min(rpm) |
|------|----|-----|----|------|--------------------------|
| 4 | 5 | 3.7 | 50 | 380 | 1500 |

| Ins | Rating | Dimension in | Approx Weight | Bearings |
|-----|--------|--------------|---------------|------------------------------|
| F | CONT. | inches | 101 lbs. | DE: 6306ZC35C NDE: 6306ZC35C |

Totally Enclosed Fan-Cooled Type, Squirrel-Cage Rotor.



8-∅0.41 HOLES
(184T&182T)



| | | |
|-------|------------|----------|
| DWN. | C. S. LO | 12-22-04 |
| CHKD. | C. S. LO | 12-27-04 |
| APPD. | M. C. TSAI | 12-27-04 |



DWG NO.
31049M892140