

DATE  
APRIL 16, 2004  
CATALOG NO.  
HH0256-50

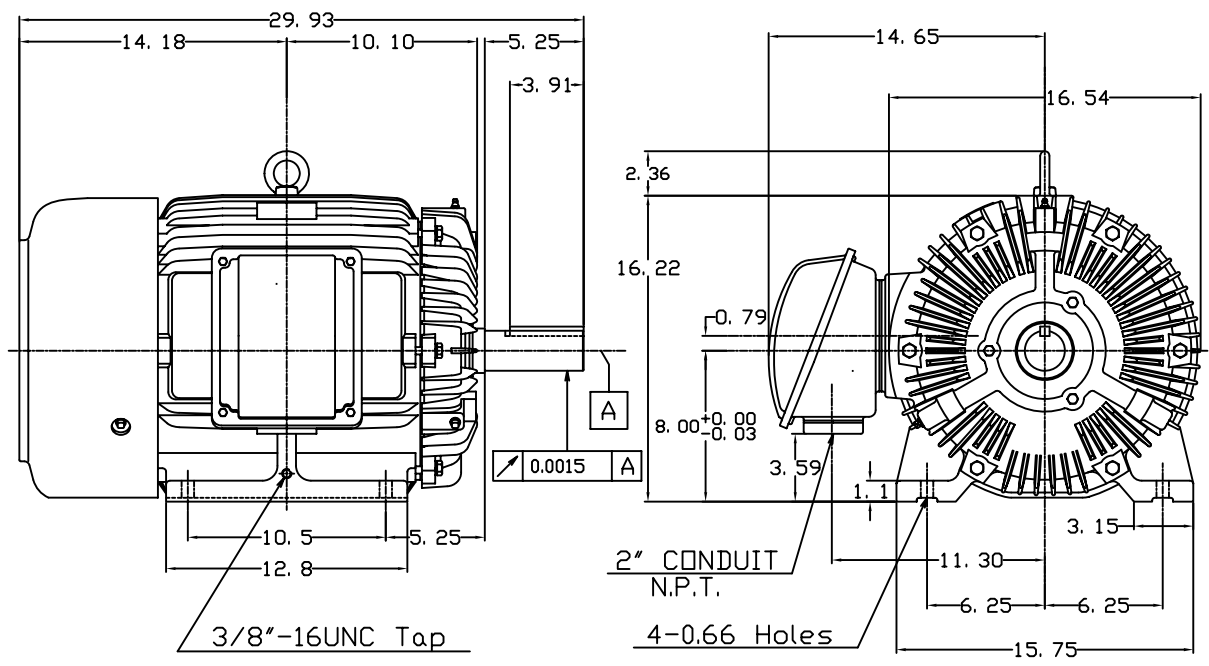
OUTLINE DIMENSIONS  
3-PHASE INDUCTION MOTOR

MOTOR TYPE:  
AEHH  
FRAME NO. 324T

| Pole | HP | KW    | Hz | VOLT | Syn.Speed<br>RPM |
|------|----|-------|----|------|------------------|
| 6    | 25 | 18.65 | 50 | 380  | 1000             |

| Ins | Rating | Dimension in | Approx Weight | Bearings                   |
|-----|--------|--------------|---------------|----------------------------|
| F   | CONT.  | inches       | 638 lbs.      | DE:6312ZC35C NDE:6212ZC35C |

Totally Enclosed Fan-Cooled Type. Squirrel-Cage Rotor.



① 03.16.00 J.C.LIN

|       |           |          |
|-------|-----------|----------|
| DWN.  | J.H.LIANG | 11-30-98 |
| CHKD. | C.H.KAO   | 12-26-98 |
| APPD. | Y.B.HUANG | 12-26-98 |



DWG NO.  
31057H208021