

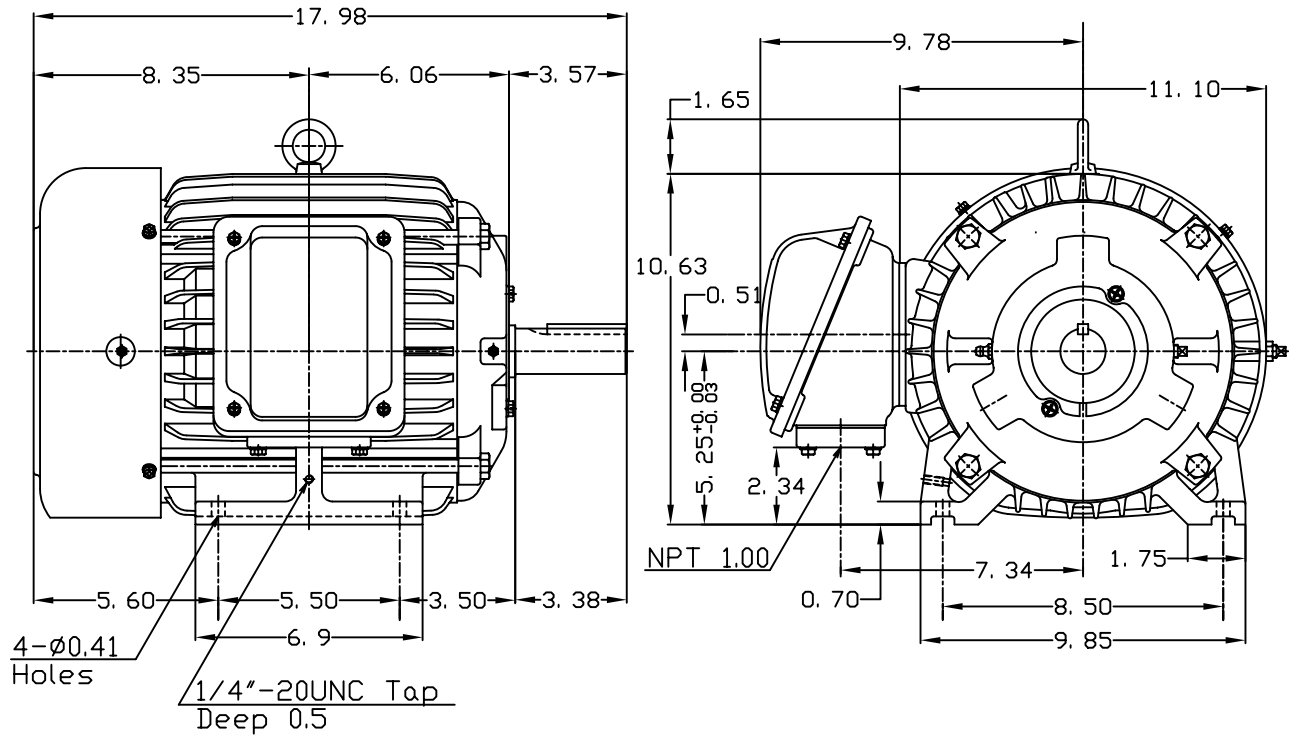
DATE
APRIL 26, 2004
CATALOG NO.
HH7/54-50

OUTLINE DIMENSIONS
3-PHASE INDUCTION MOTOR

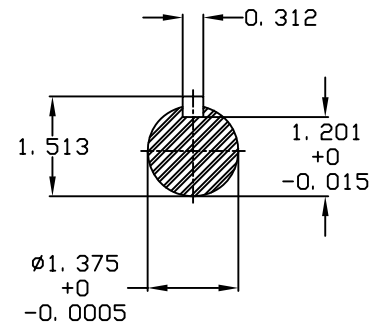
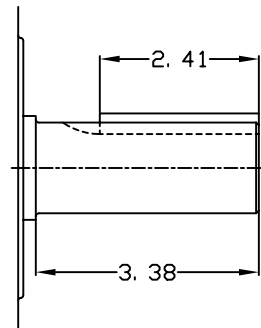
MOTOR TYPE:
AEHH
FRAME NO. 213T

Pole	HP	KW	Hz	VOLT	Syn.Speed RPM
4	7.5	5.6	50	380	1500
Ins	Rating	Dimension in	Approx Weight	Bearings	
F	CONT.	inches	167 lbs.	DE: 6308ZC35C NDE: 6306ZC35C	

Totally Enclosed Fan-Cooled Type.Squirrel-Cage Rotor.



4-ø0.41
Holes
1/4"-20UNC Tap
Deep 0.5



+

DWN.	胡峰誠	11·12·98
CHKD.	羅清水	11·23·98
APPD.	黃友伯	11·23·98

TEC Westinghouse

DWG NO.
31049M893002