

DATE
NOV 1, 2016
Cat. #: JMP0054

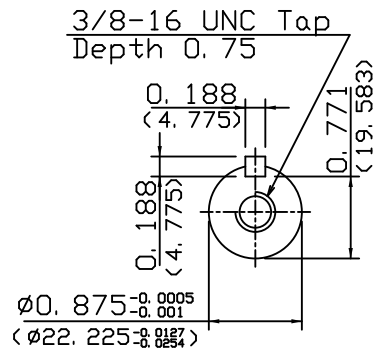
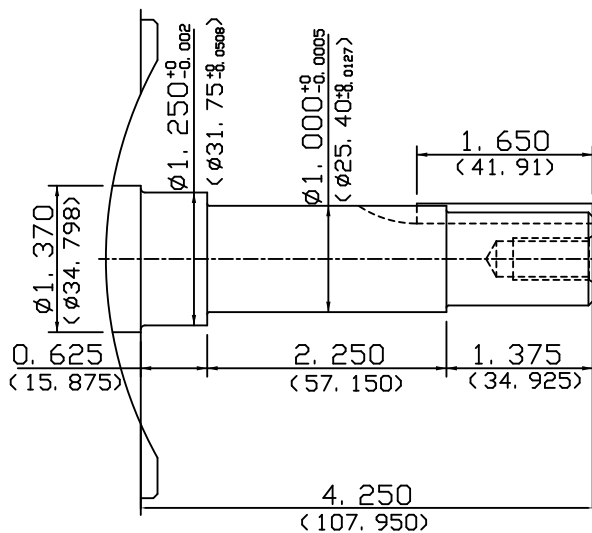
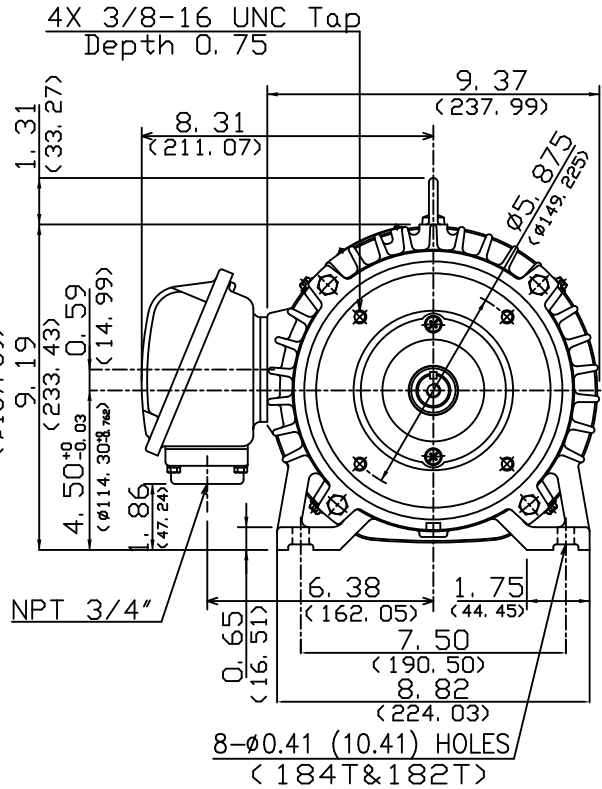
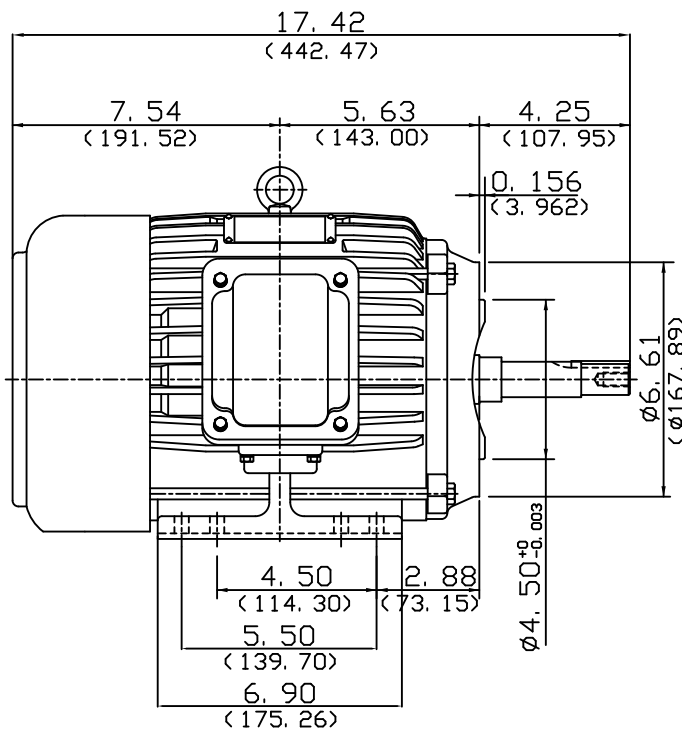
OUTLINE DIMENSIONS

3-PHASE INDUCTION MOTOR

MOTOR TYPE:
AEHH8NJMP
FRAME NO. 184JM

Pole	HP	kW	Hz	VOLT	Syn. Speed r/min(rpm)
4	5	3.73	60	230/460	1800
Ins	Rating	Dimension in	Approx Weight	Bearings	
F	CONT.	INCH/MM	100 lbs.	DE: 6307ZZ	NDE: 6306ZZ

Totally Enclosed Fan Cooled Type. Squirrel Cage Rotor.



DWN.	J. H. LIANG	01-01-08
CHKD.	H. C. YAN	02-12-08
APPD.	M. C. TSAI	02-12-08



DWG NO.
31049H740050