

DATE
Nov. 1, 2016
Cat. #: JMP0056

OUTLINE DIMENSIONS

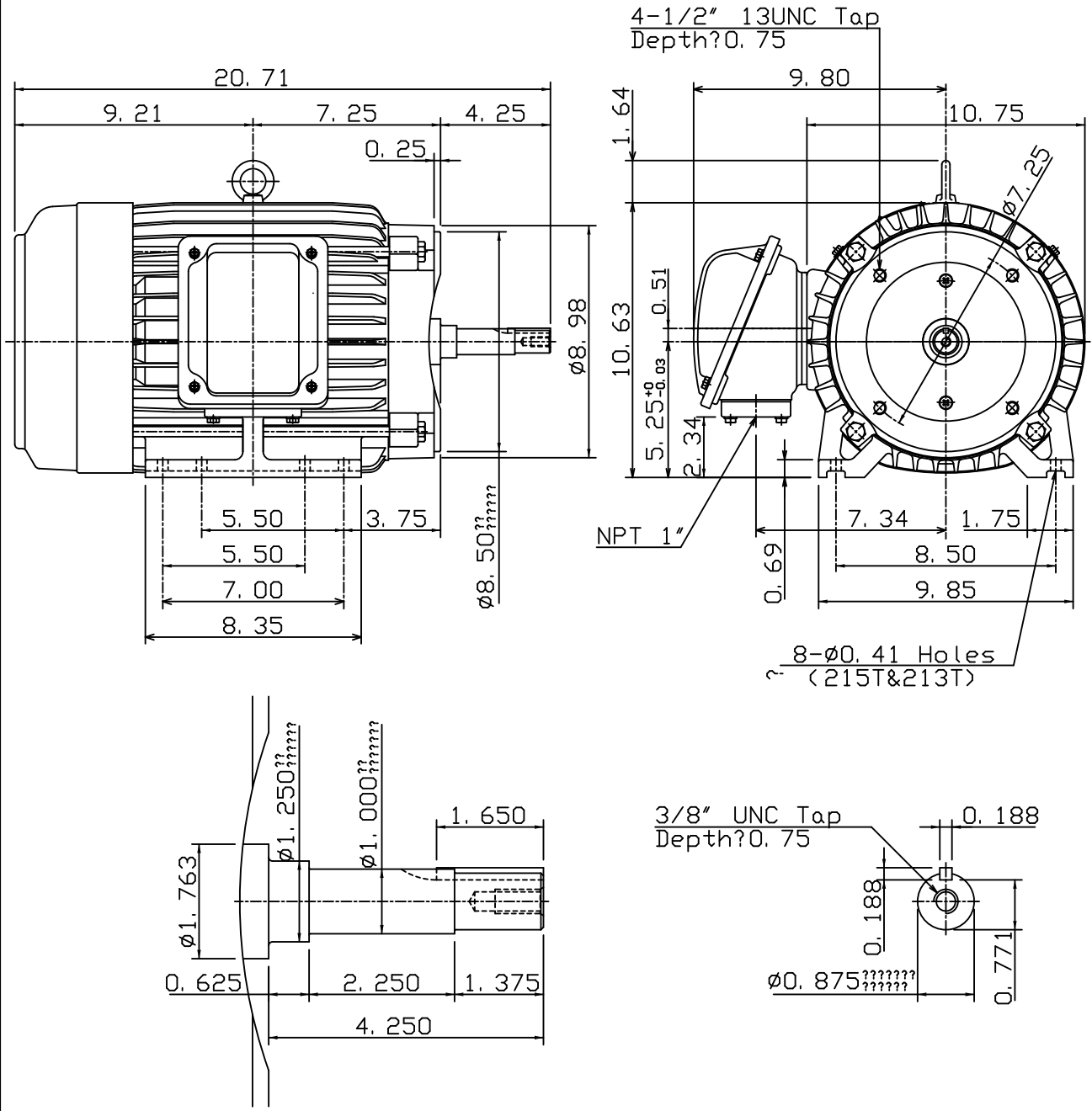
3-PHASE INDUCTION MOTOR

MOTOR TYPE:
AEHH8NJMP
FRAME NO. 215JM

Pole	HP	kW	Hz	VOLT	Syn. Speed r/min(rpm)
6	5	3.73	60	230/460	1200

Ins	Rating	Dimension in	Approx Weight	Bearings
F	CONT.	inches	178 lbs.	DE: 6309ZZ NDE: 6306ZZ

Totally Enclosed Fan-Cooled Type. Squirrel-Cage Rotor.



DWN.	J. H. LIANG	01-01-08		DWG NO.	31049H742030
CHKD.	H. C. YAN	02-12-08			
APPD.	M. C. TSAI	02-12-08			