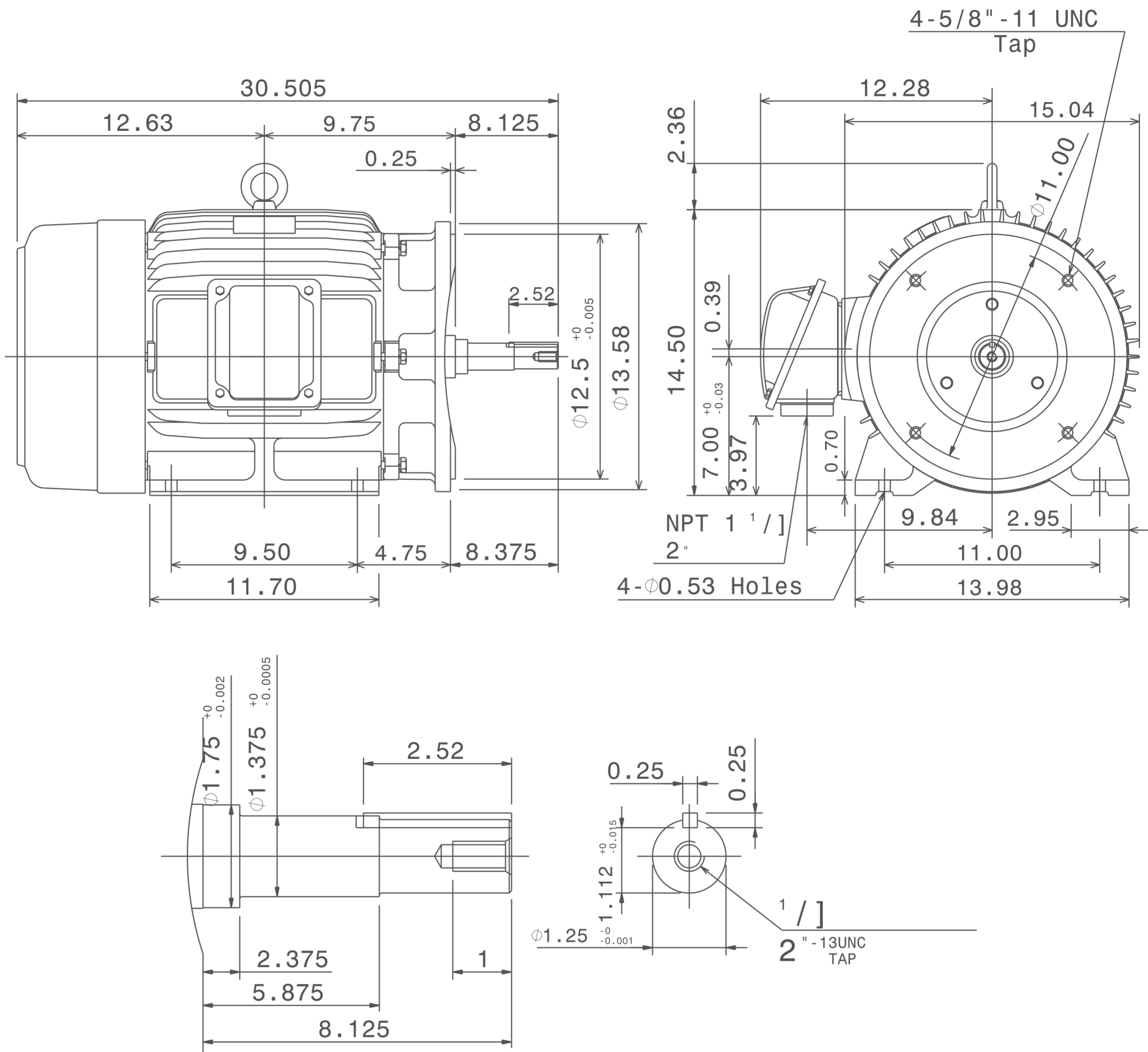


DATE JUNE 21 2023	OUTLINE DIMENSIONS 3-PHASE INDUCTION MOTOR	MOTOR TYPE: AEHH8NJP
Cat. #: JPP0252		FRAME NO. 284JP

Pole	HP	kW	Hz	VOLT	Syn. Speed r/min (rpm)
2	25	18.7	60	230/460	3600

Ins	Rating	Dimension in	Approx Weight	Bearings
F	CONT.	inches	420 lbs.	DE: 6211C3 NDE: 6211C3

Totally Enclosed Fan-Cooled Type. Squirrel-Cage Rotor.



0		
---	--	--

DWN.	K.L.KUO	02-13-08	TECO Westinghouse	DWG NO.
CHKD.	K.L.KUO	02-14-08		31057H206820
APPD.	M.C.TSAI	02-14-08		