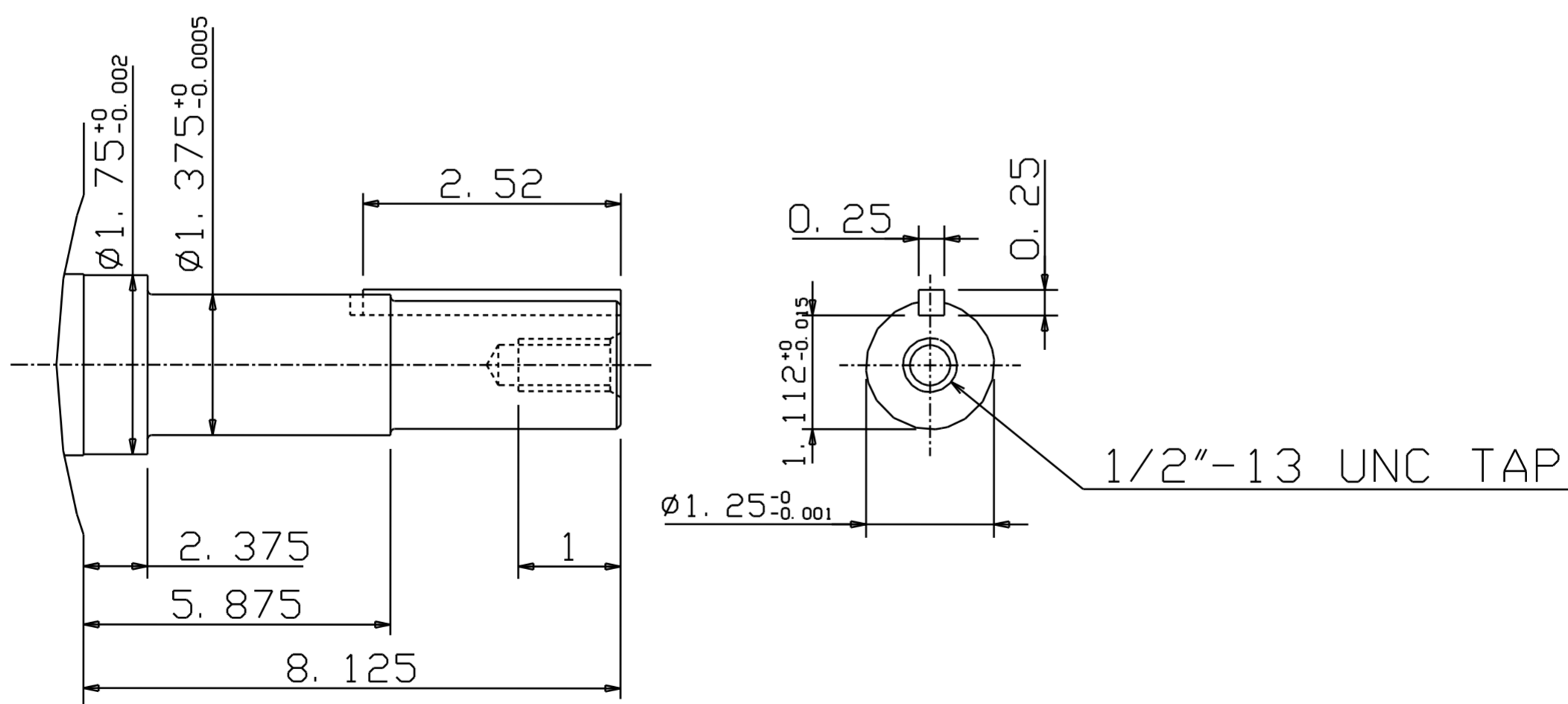
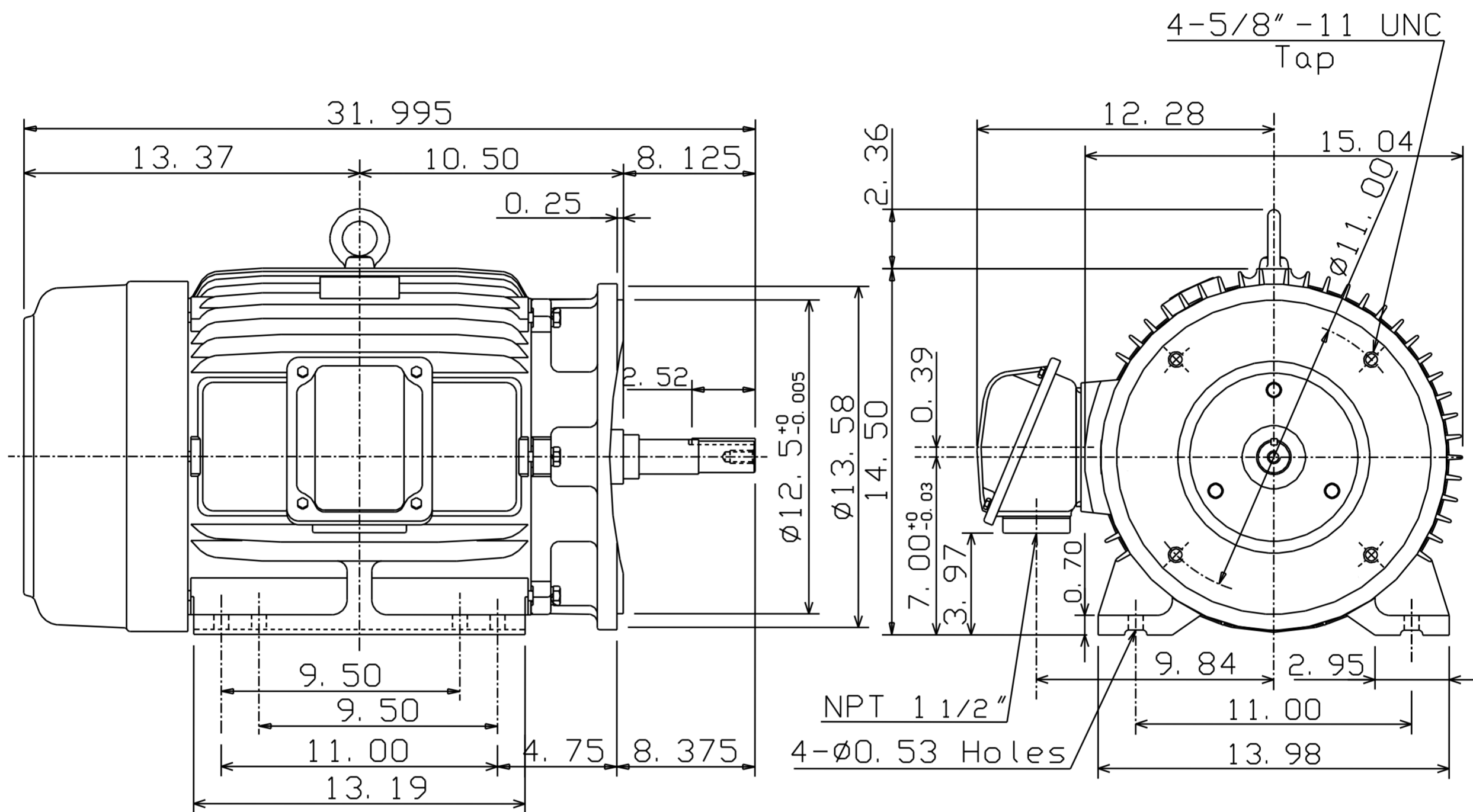


DATE JUNE 21 2023	OUTLINE DIMENSIONS 3-PHASE INDUCTION MOTOR	MOTOR TYPE: AEHH8NJP
Cat. #: JPP0302		FRAME NO. 286JP

Pole	HP	kW	Hz	VOLT	Syn. Speed r/min(rpm)
			60	230/460	

Ins	Rating	Dimension in	Approx Weight	Bearings	
F	CONT.	inches	455 lbs.	DE: 6211C3	NDE: 6211C3

Totally Enclosed Fan-Cooled Type. Squirrel-Cage Rotor.



DWN.	K. L. KUO	02-13-08
CHKD.	K. L. KUO	02-14-08
APPD.	M. C. TSAI	02-14-08



DWG NO.
31057H212480