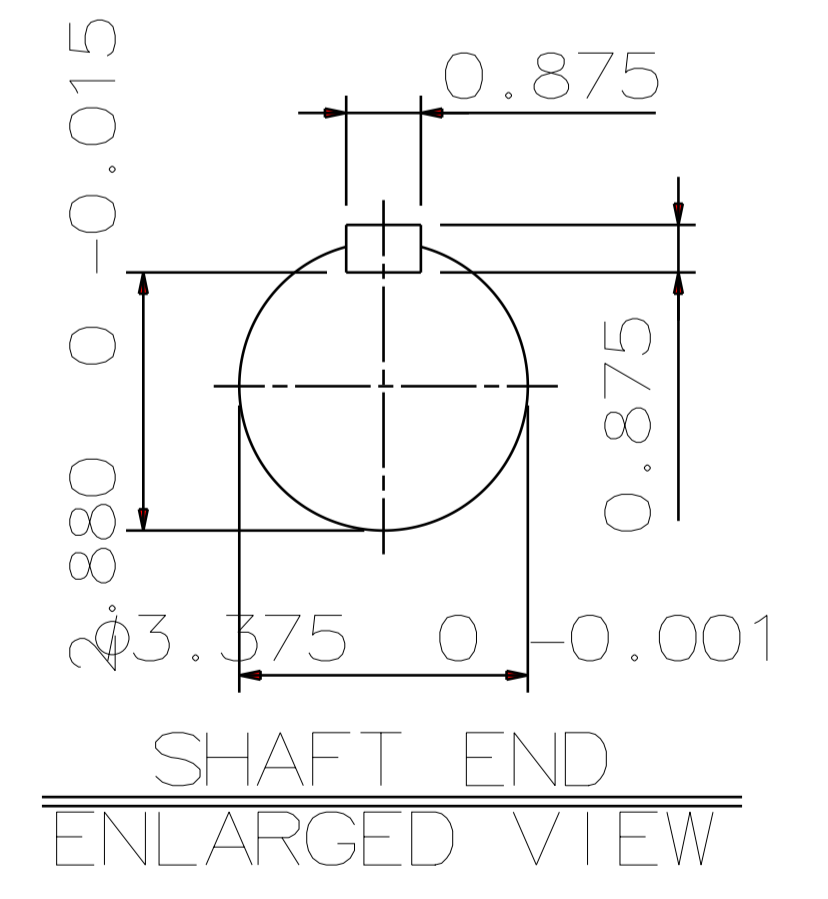
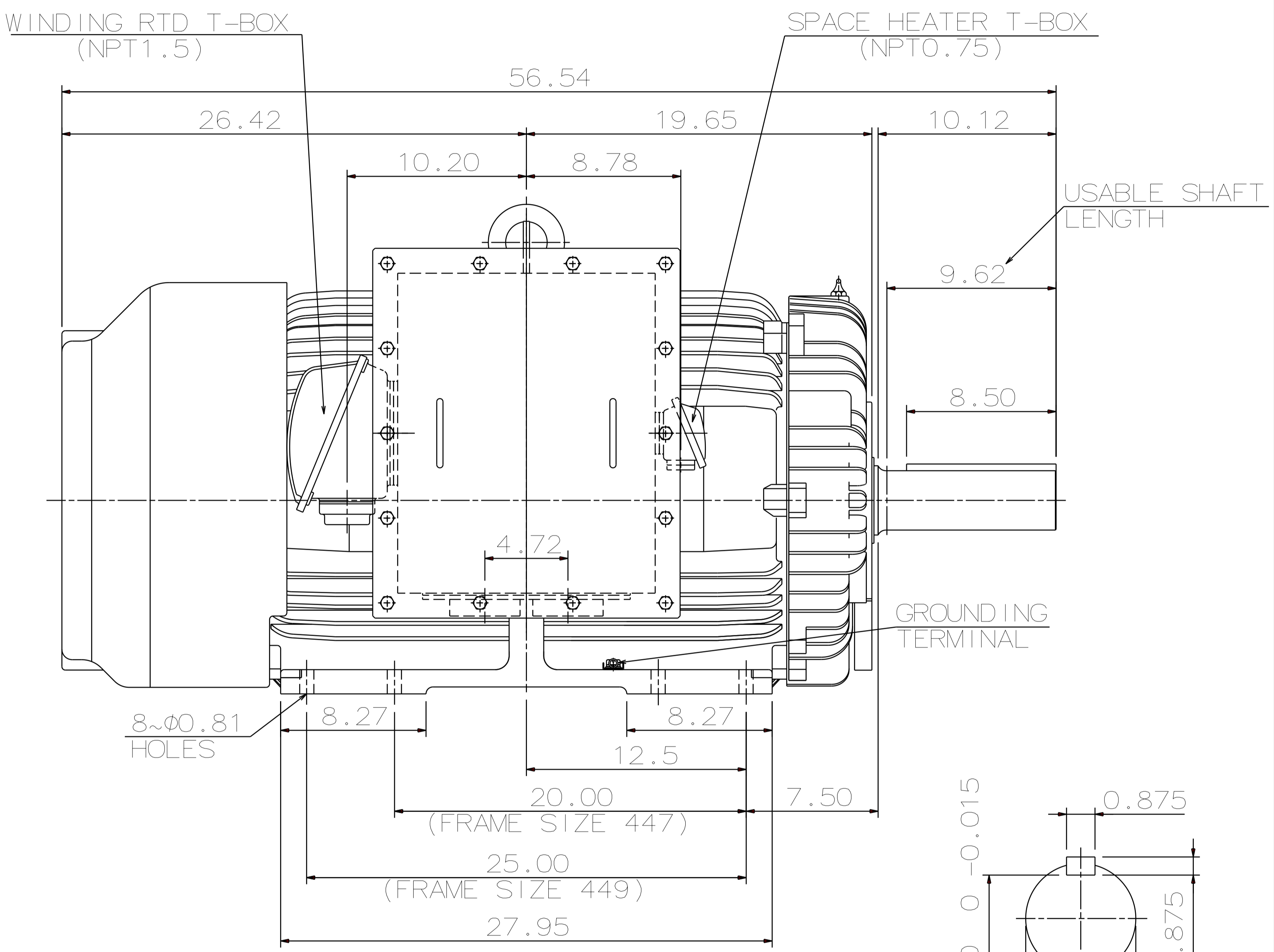
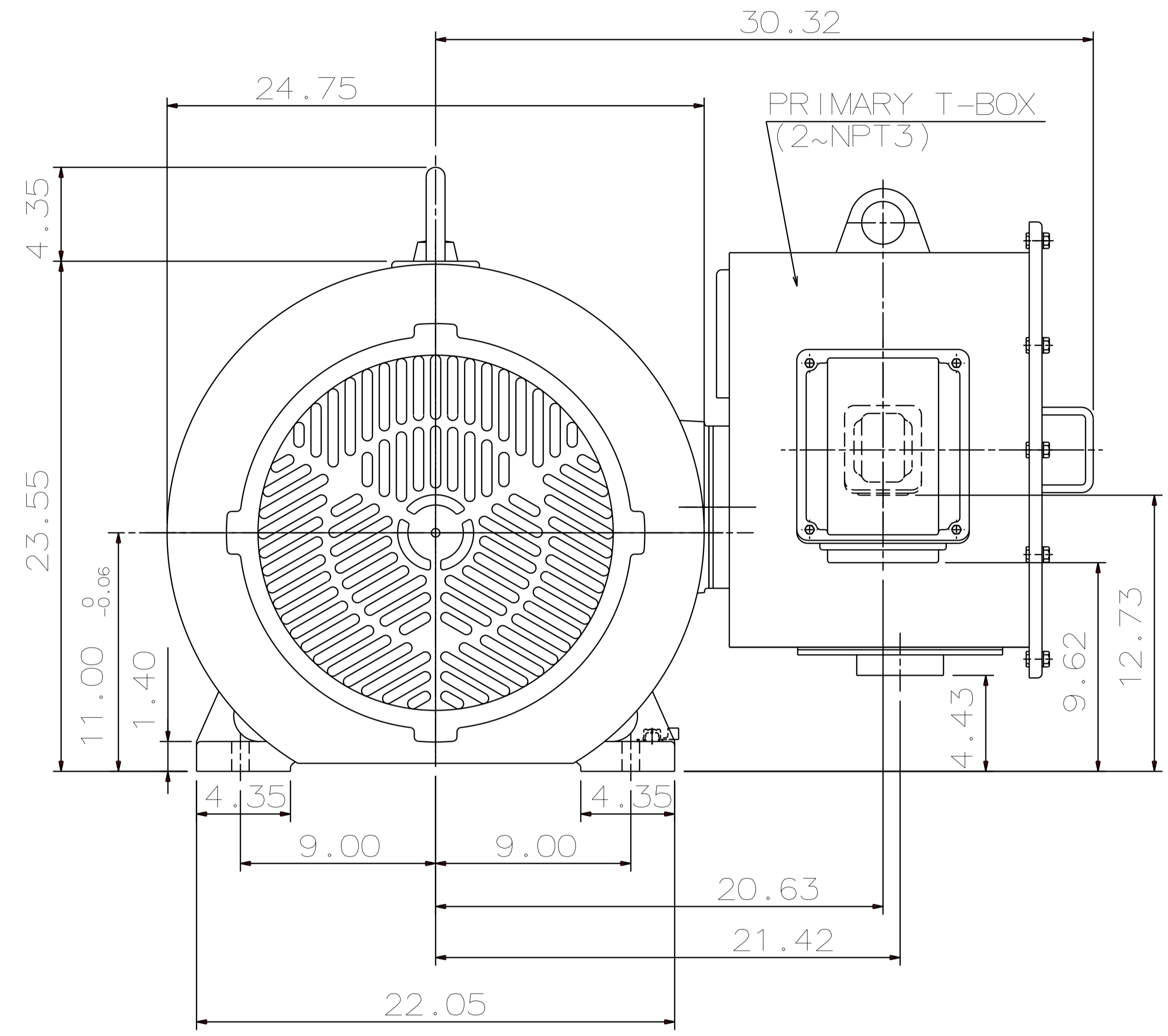


TYPE	OUTPUT		POLE	TIME RATING	VOLTAGE V	Hz	SYN. SPEED R.P.M
	HP.	kW.					
AEHAGD	125	93.2	6	CONT.	2300/4000	60	1200

TOTALLY ENCLOSED FAN-COOLED TYPE. SQUIRREL-CAGE ROTOR



NOTE:

- DIMENSIONS IN inch
- FRAME NO. 449TZ
- F CLASS INSULATION, S.F.1.15
- FOR BELT DRIVE
- ENCLOSURE: IP55
- BEARING SIZE: DRIVE-END NU320C3
OPP. DRIVE-END 6316
- WITH WINDING RTD: PT 100Ω/0°C 6PCS
- WITH SPACE HEATER: SINGLE PHASE, 120V
- NON-SPARKING FAN
- CORROSION PROOF
- APPROXIMATE WEIGHT: 2,625 LBS

DWN.	J. CHANG	MAY.22.2015
CHKD.	H. HUANG	MAY.22.2015
APPD.	C. LIU	MAY.22.2015

DATE DEC 08 2016	OUTLINE DIMENSIONS	
KD1256R	3-PHASE INDUCTION MOTOR	
TEC Westinghouse		DWG NO. REV: 00 4B040M518