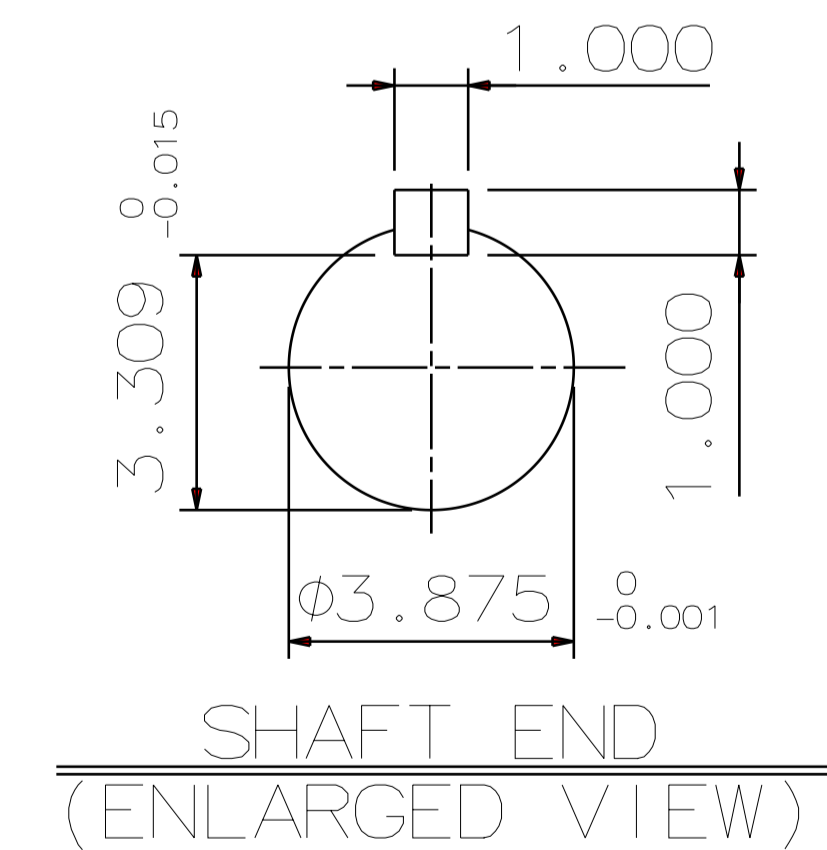
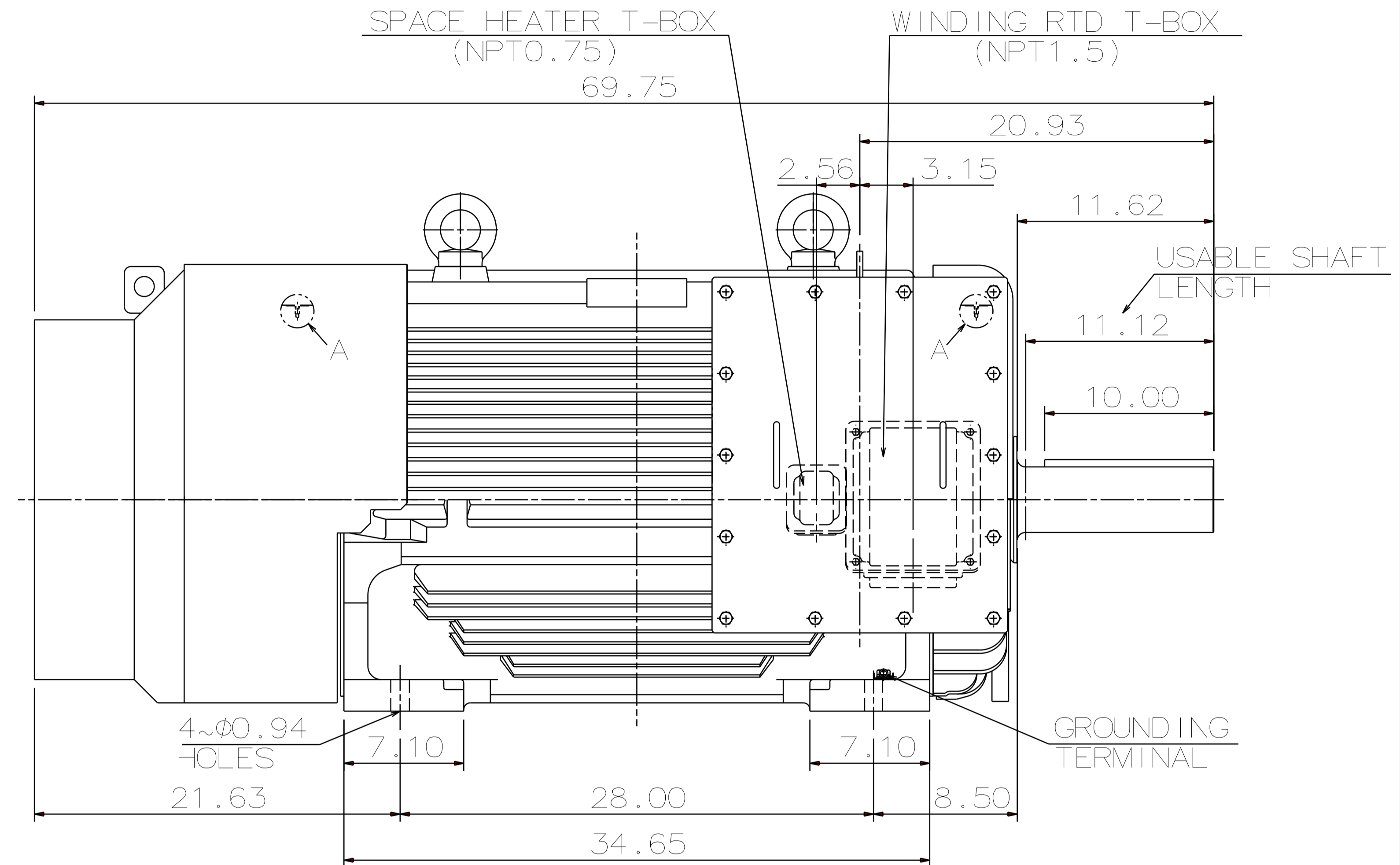
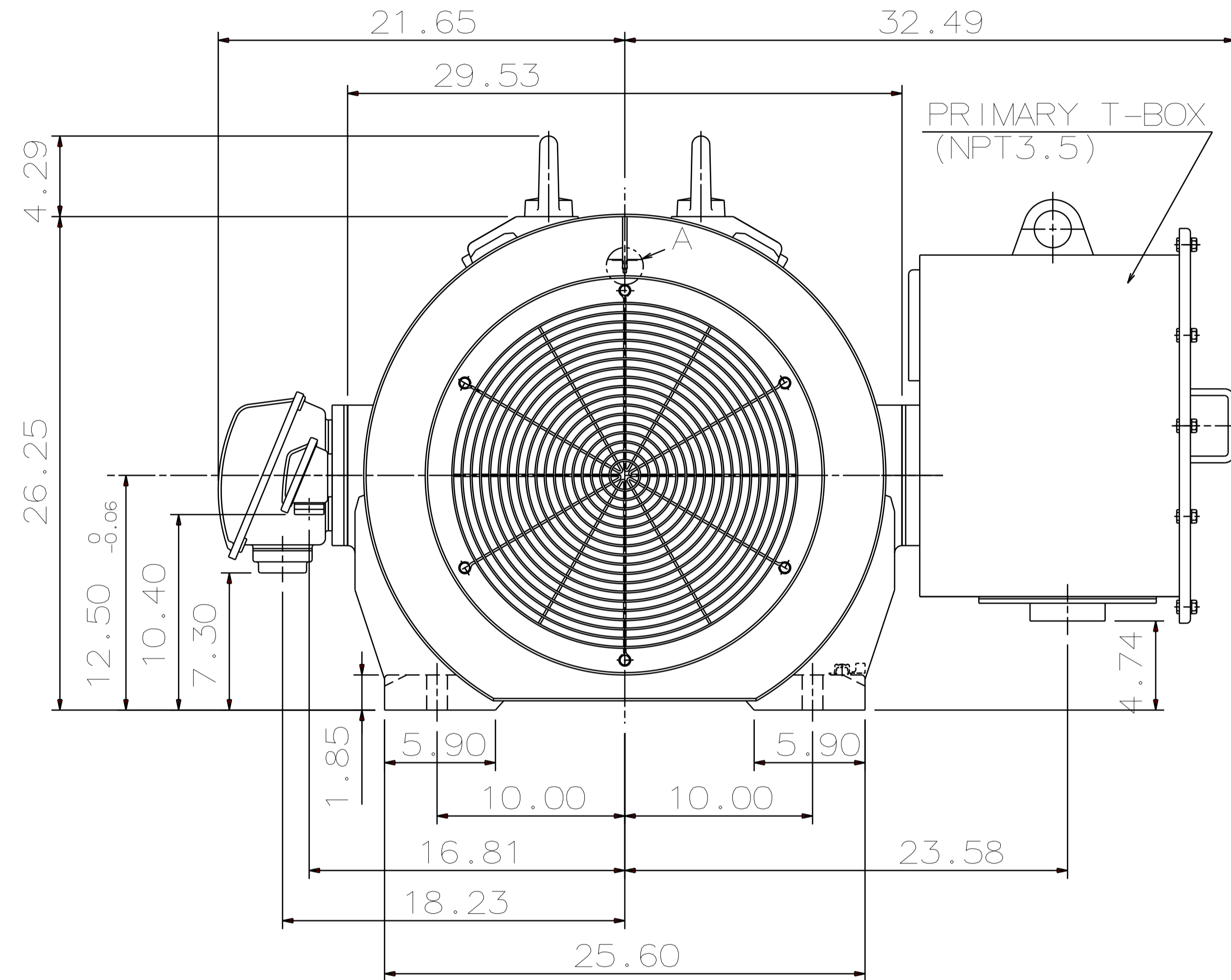




DETAIL A
(PROVISION FOR VIBRATION SENSOR)

TYPE	OUTPUT		POLE	TIME RATING	VOLTAGE V	Hz	SYN. SPEED R.P.M
	HP.	kW.					
AEHAGD	250	186.4	8	CONT.	2300/4000	60	900

TOTALLY ENCLOSED FAN-COOLED TYPE, SQUIRREL-CAGE ROTOR



- NOTE:
1. DIMENSIONS IN inch
 2. FRAME NO. 5009C
 3. F CLASS INSULATION, S.F.1.15
 4. FOR BELT DRIVE
 5. ENCLOSURE: IP55
 6. BEARING SIZE: DRIVE-END NU324C3
OPP. DRIVE-END 6320
 7. WITH WINDING RTD: PT 100Ω/0°C 6PCS
 8. WITH SPACE HEATER: SINGLE PHASE, 120V
 9. PROVISION FOR BEARING RTD MOUNTING: 2~PT1/2" TAPS PER BRACKET
 10. NON-SPARKING FAN
 11. CORROSION PROOF
 12. APPROXIMATE WEIGHT: 3,875 LBS

DATE	DEC 08 2016	OUTLINE DIMENSIONS	
	KD2508R	3-PHASE INDUCTION MOTOR	
DWG NO.	4B040L390	REV:00	

DWN.	J. CHANG	MAY. 26. 2015
CHKD.	H. HUANG	MAY. 26. 2015
APPD.	C. LIU	MAY. 26. 2015

TEC Westinghouse