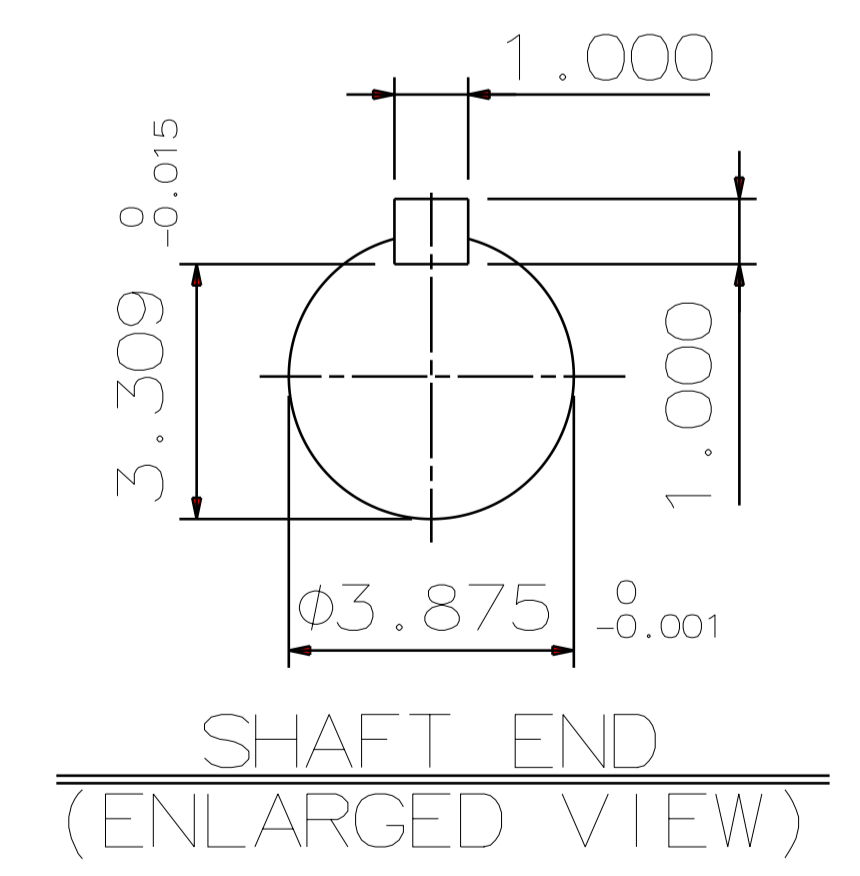
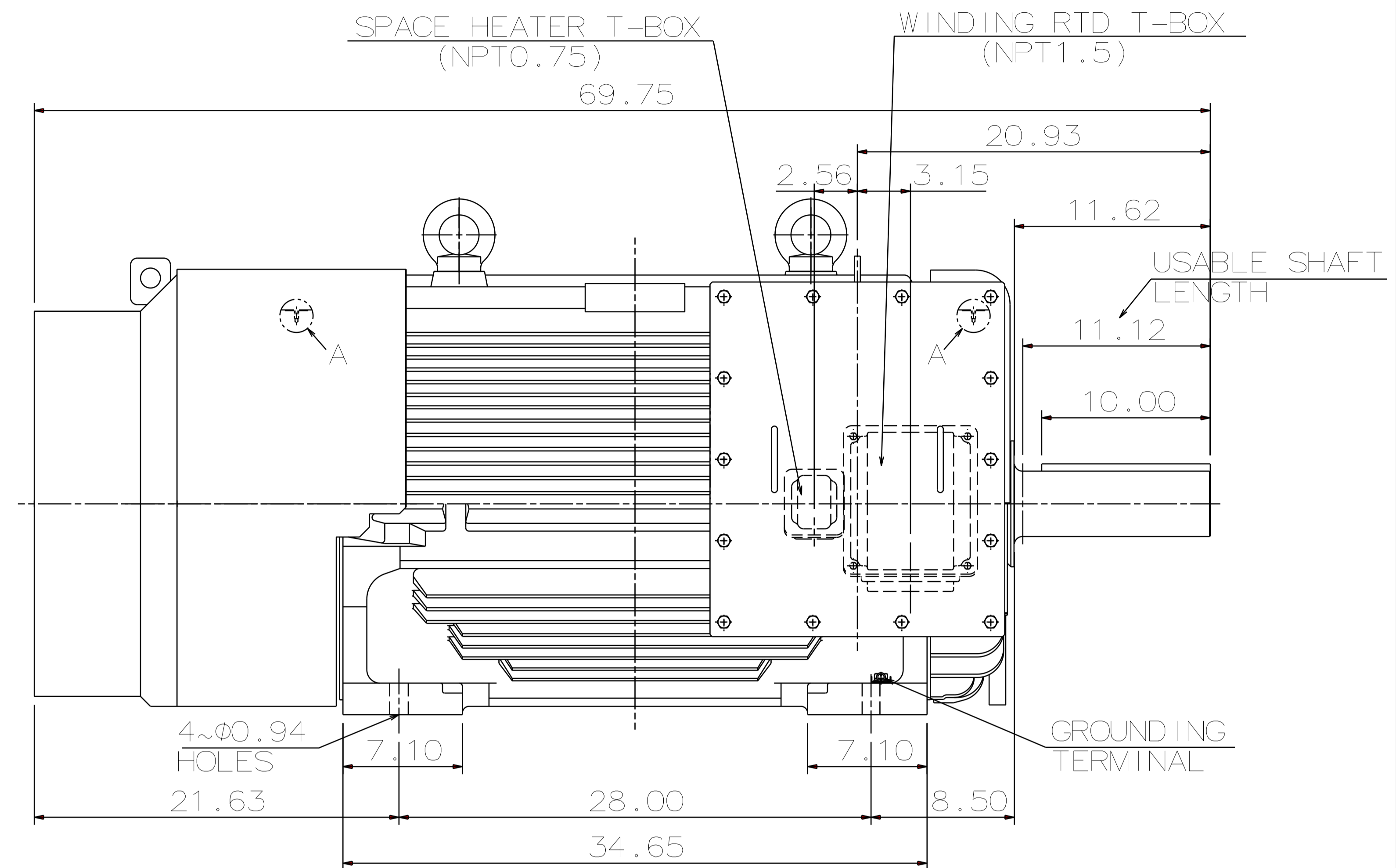
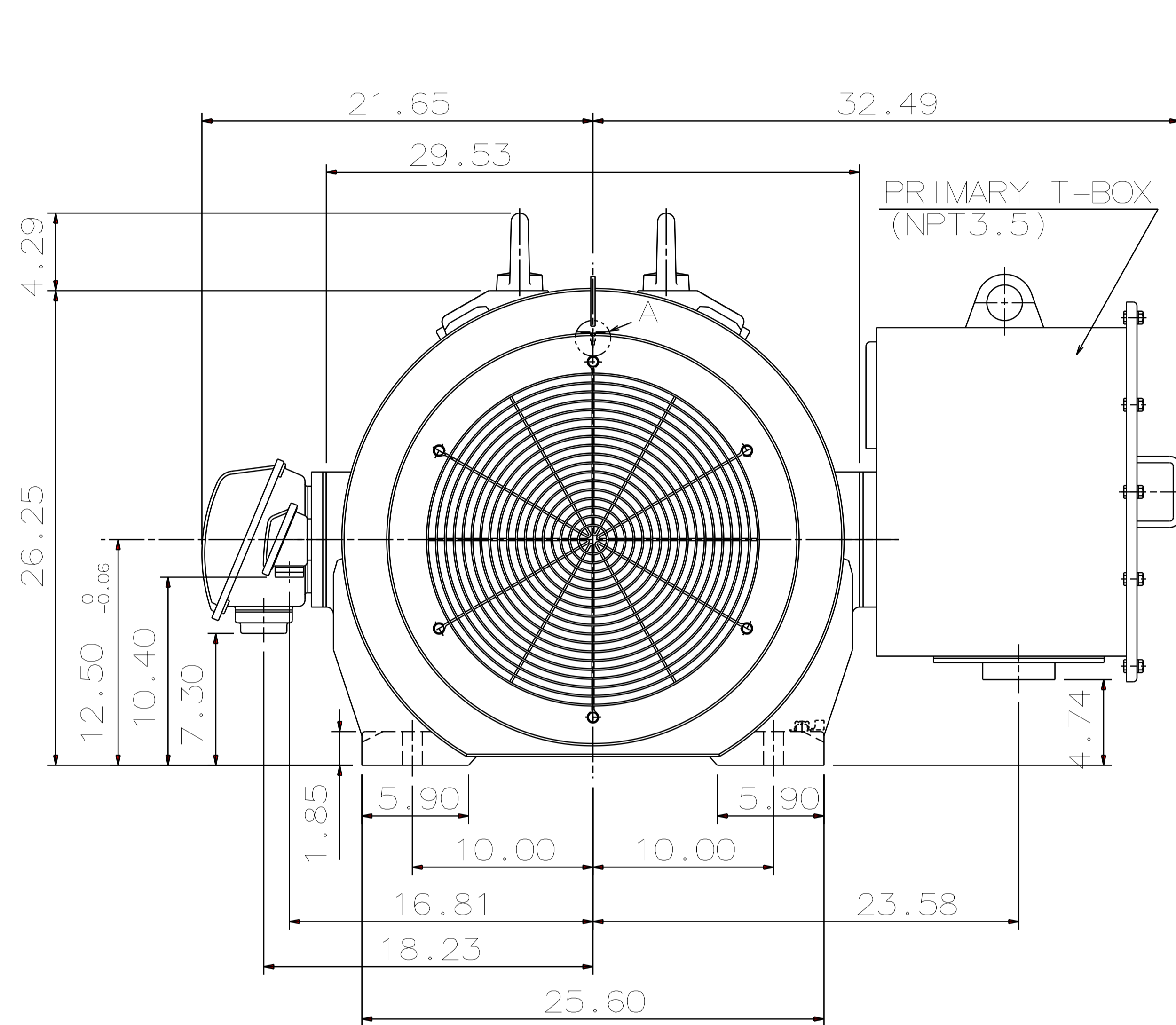




DETAIL A  
(PROVISION FOR VIBRATION SENSOR)

TYPE	OUTPUT		POLE	TIME RATING	VOLTAGE V	Hz	SYN. SPEED R.P.M
	HP.	kW.					
AEHAGD	300	223.7	6	CONT.	2300/4000	60	1200

TOTALLY ENCLOSED FAN-COOLED TYPE, SQUIRREL-CAGE ROTOR



- NOTE:
- DIMENSIONS IN inch
  - FRAME NO. 5009C
  - F CLASS INSULATION, S.F.1.15
  - FOR BELT DRIVE
  - ENCLOSURE: IP55
  - BEARING SIZE: DRIVE-END NU324C3  
OPP. DRIVE-END 6320
  - WITH WINDING RTD: PT 100Ω/0°C 6PCS
  - WITH SPACE HEATER: SINGLE PHASE, 120V
  - PROVISION FOR BEARING RTD MOUNTING: 2~PT1/2" TAPS PER BRACKET
  - NON-SPARKING FAN
  - CORROSION PROOF
  - APPROXIMATE WEIGHT: 4,235 LBS

DATE	DEC 08 2016	OUTLINE DIMENSIONS	
	KD3006R	3-PHASE INDUCTION MOTOR	
DWG NO.	4B040L389	REV:00	

DWN.	J. CHANG	MAY. 26. 2015
CHKD.	H. HUANG	MAY. 26. 2015
APPD.	C. LIU	MAY. 26. 2015



DWG NO. 4B040L389  
REV:00