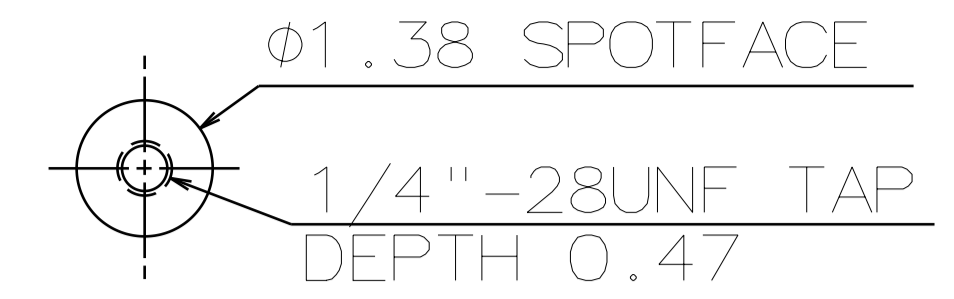
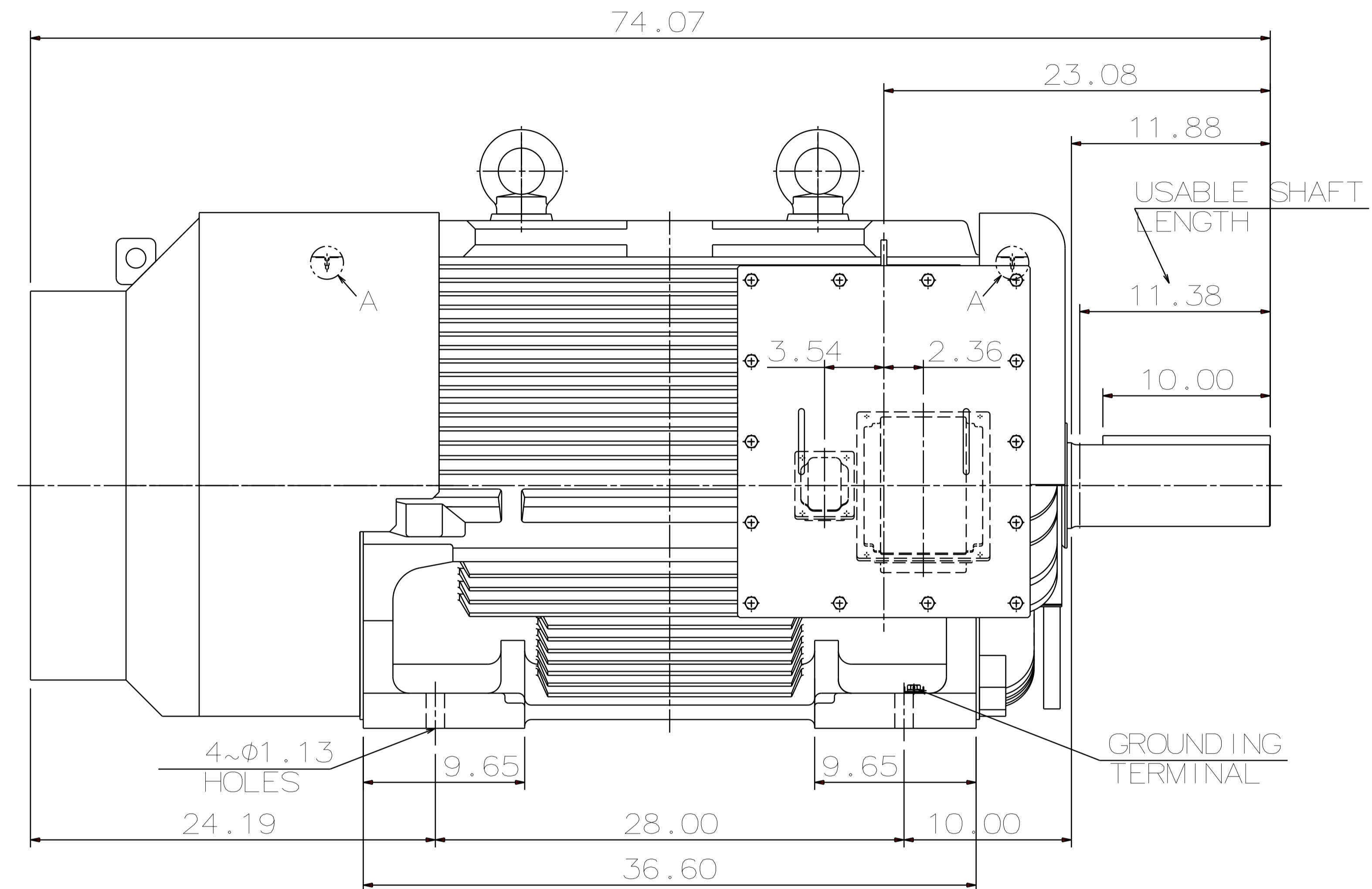
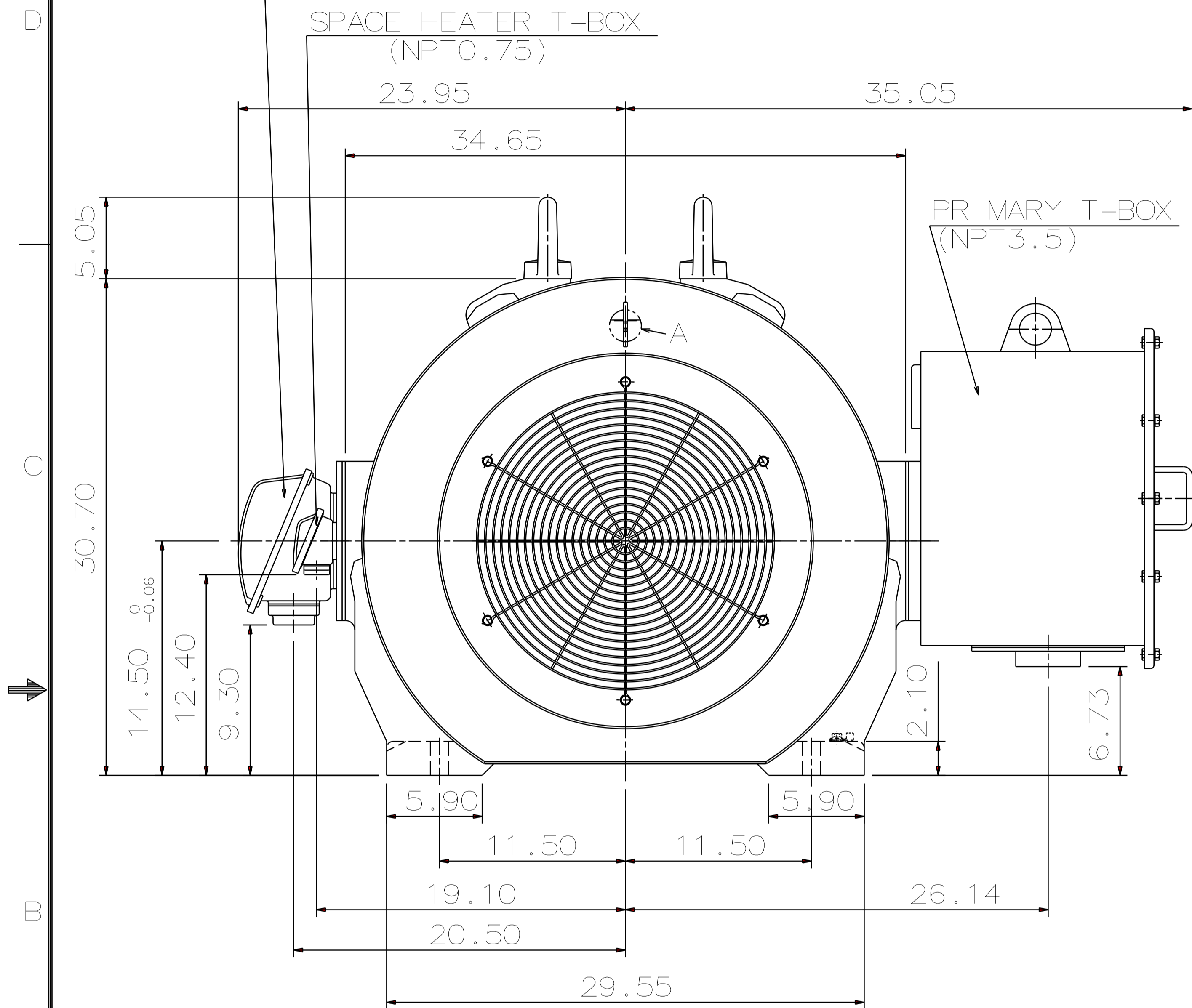


TYPE	OUTPUT		POLE	TIME RATING	VOLTAGE V	Hz	SYN. SPEED R.P.M
	HP.	kW.					
AEHAGD	350	261	8	CONT.	2300/4000	60	900



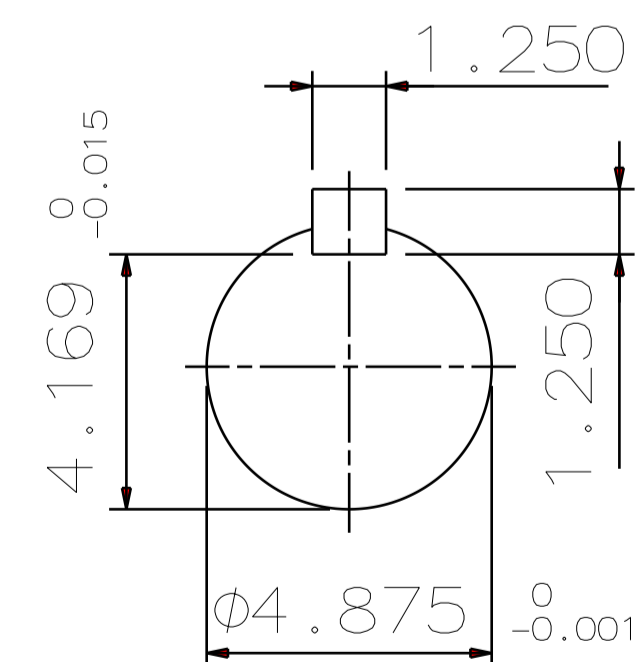
TOTALLY ENCLOSED FAN-COOLED TYPE, SQUIRREL-CAGE ROTOR

DETAIL A
(PROVISION FOR VIBRATION SENSOR)



NOTE:

1. DIMENSIONS IN inch
2. FRAME NO. 5808C
3. F CLASS INSULATION, S.F.1.15
4. FOR BELT DRIVE
5. ENCLOSURE: IP55
6. BEARING SIZE: DRIVE-END NU326C3
OPP. DRIVE-END 6322
7. WITH WINDING RTD: PT 100Ω/0°C 6PCS
8. WITH SPACE HEATER: SINGLE PHASE, 120V
9. PROVISION FOR BEARING RTD MOUNTING: 2~PT1/2" TAPS PER BRACKET
10. NON-SPARKING FAN
11. CORROSION PROOF
12. APPROXIMATE WEIGHT: 5,825 LBS



SHAFT END
(ENLARGED VIEW)

DATE DEC 08 2016	OUTLINE DIMENSIONS	
KD3508R	3-PHASE INDUCTION MOTOR	
DWG NO. 4B040L395	REV:00	

DWN.	J. CHANG	MAY.27.2015
CHKD.	H. HUANG	MAY.27.2015
APPD.	C. LIU	MAY.27.2015

TEC Westinghouse