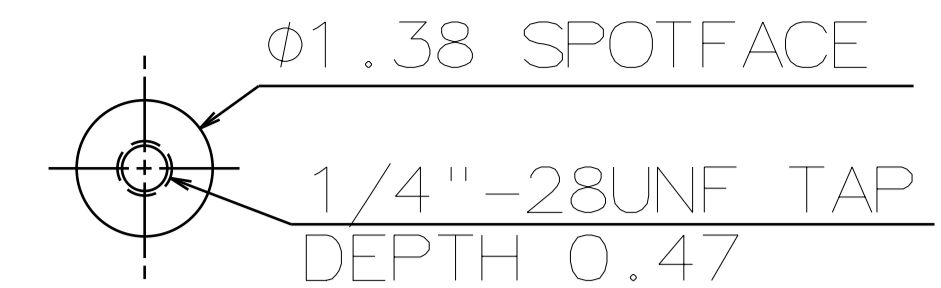


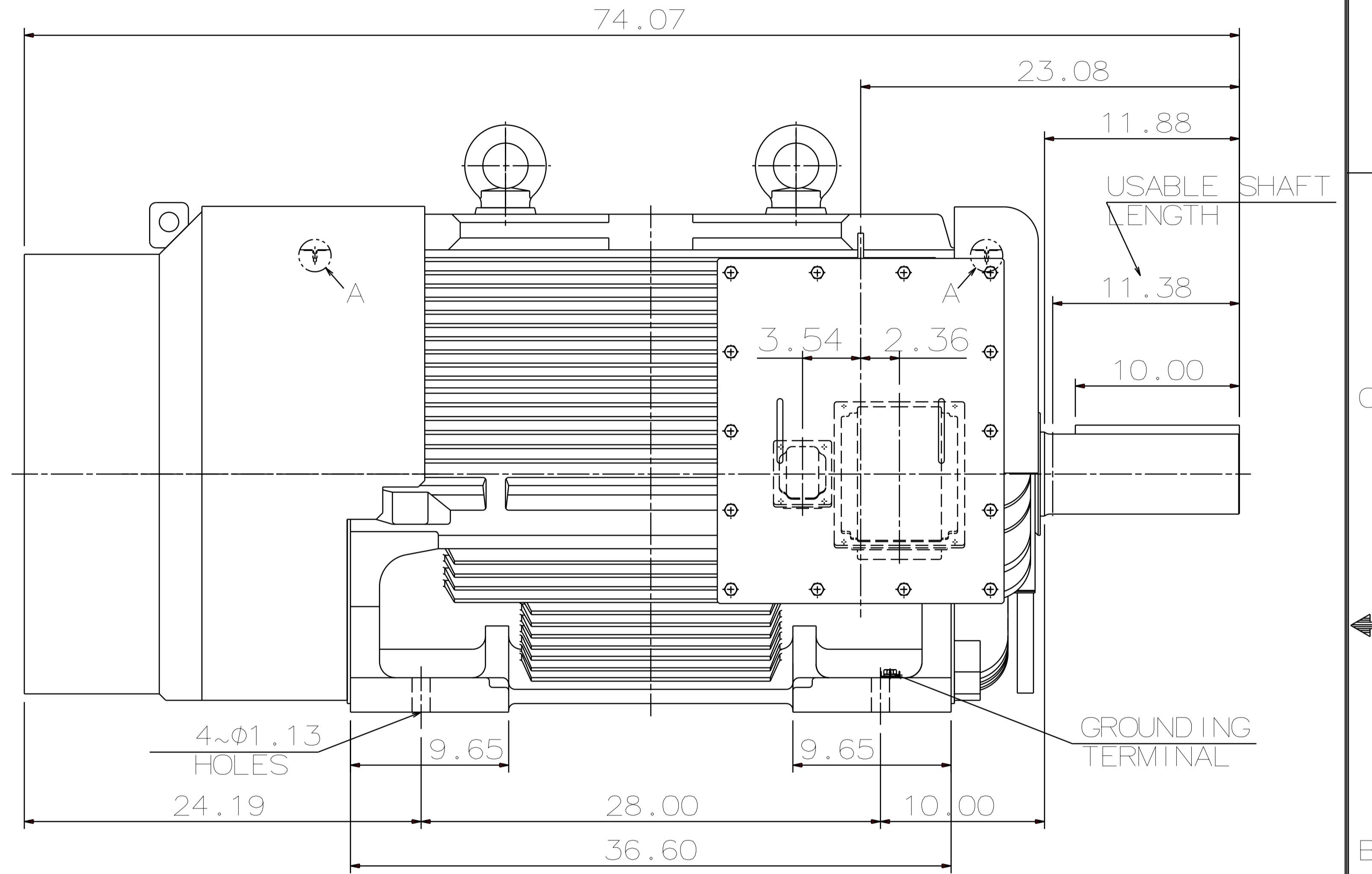
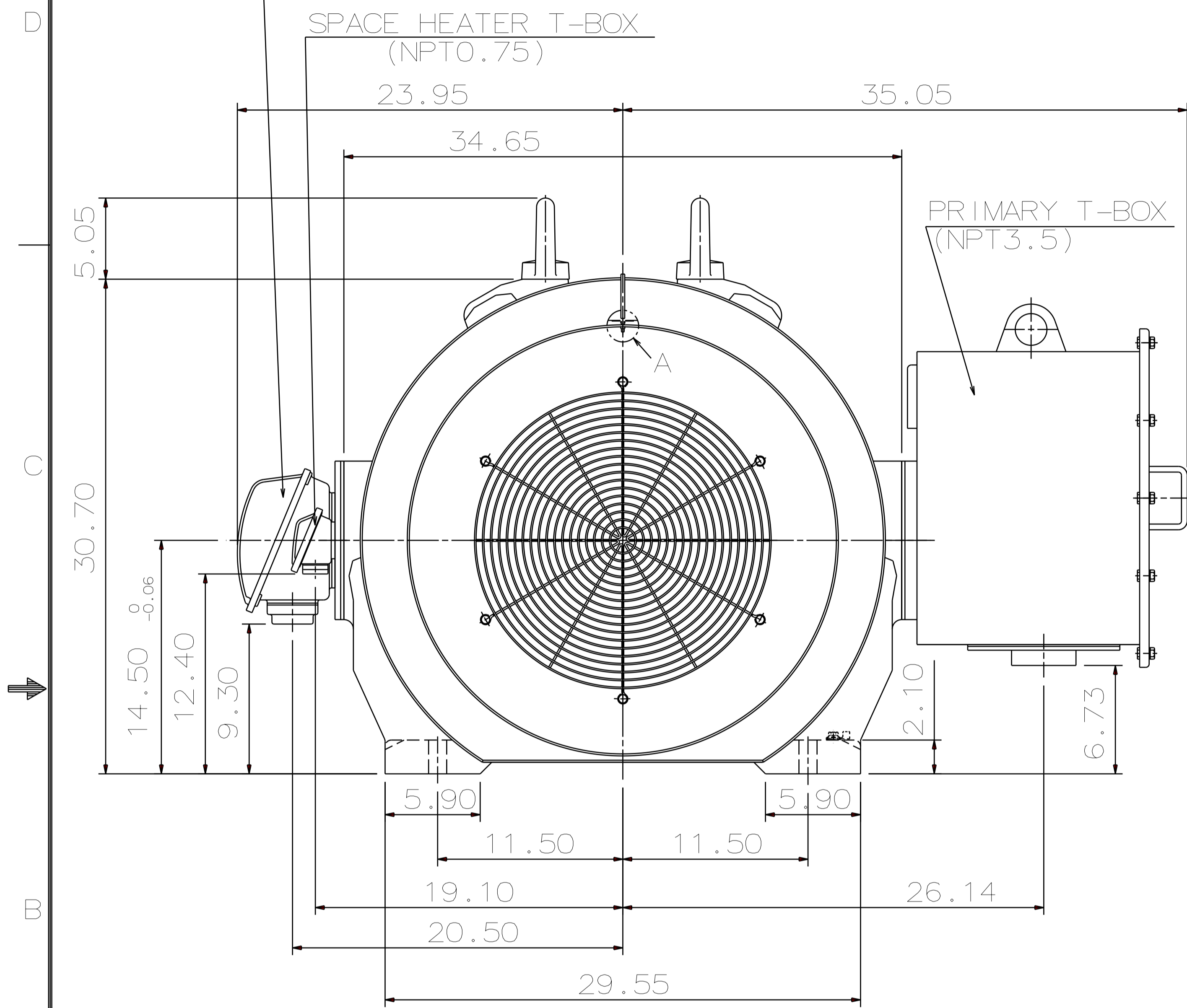
TYPE	OUTPUT		POLE	TIME RATING	VOLTAGE V	Hz	SYN. SPEED R.P.M
	HP.	kW.					
AEHAGD	450	335.5	6	CONT.	2300/4000	60	1200

TOTALLY ENCLOSED FAN-COOLED TYPE, SQUIRREL-CAGE ROTOR



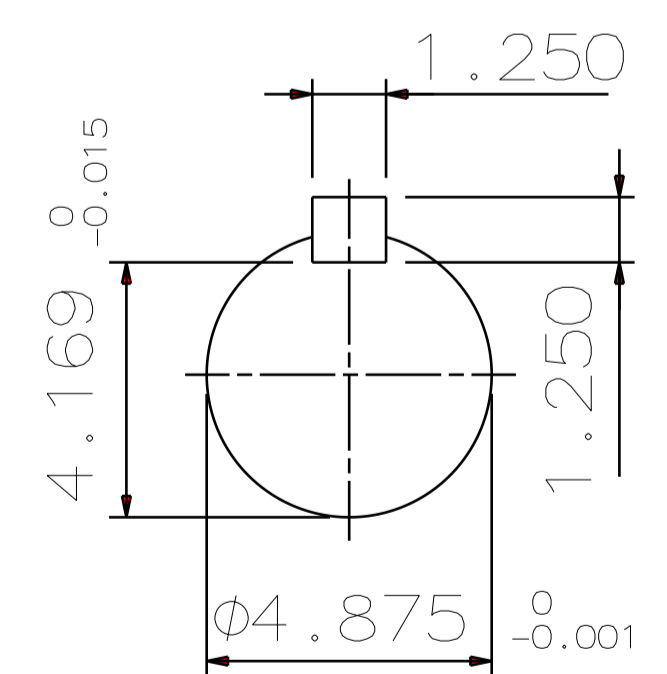
DETAIL A

(PROVISION FOR VIBRATION SENSOR)



NOTE:

1. DIMENSIONS IN inch
2. FRAME NO. 5808C
3. F CLASS INSULATION, S.F.1.15
4. FOR BELT DRIVE
5. ENCLOSURE: IP55
6. BEARING SIZE: DRIVE-END NU326C3  
OPP. DRIVE-END 6322
7. WITH WINDING RTD: PT 100Ω/0°C 6PCS
8. WITH SPACE HEATER: SINGLE PHASE, 120V
9. PROVISION FOR BEARING RTD MOUNTING: 2~PT1/2" TAPS PER BRACKET
10. NON-SPARKING FAN
11. CORROSION PROOF
12. APPROXIMATE WEIGHT: 5,400 LBS



SHAFT END (ENLARGED VIEW)

DATE	DEC 08 2016	OUTLINE DIMENSIONS	
	KD4506R	3-PHASE INDUCTION MOTOR	
DWN.	J. CHANG	MAY.26.2015	
CHKD.	H. HUANG	MAY.26.2015	
APPD.	C. LIU	MAY.26.2015	
TEC Westinghouse		DWG NO.	REV:00
		4B040L394	