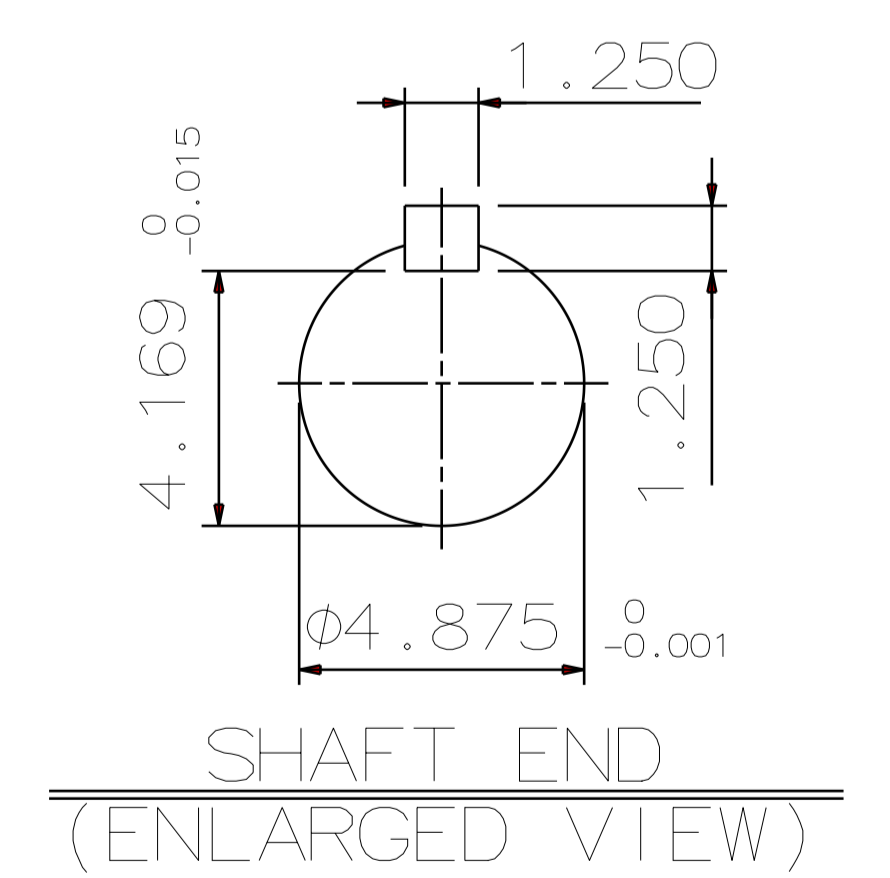
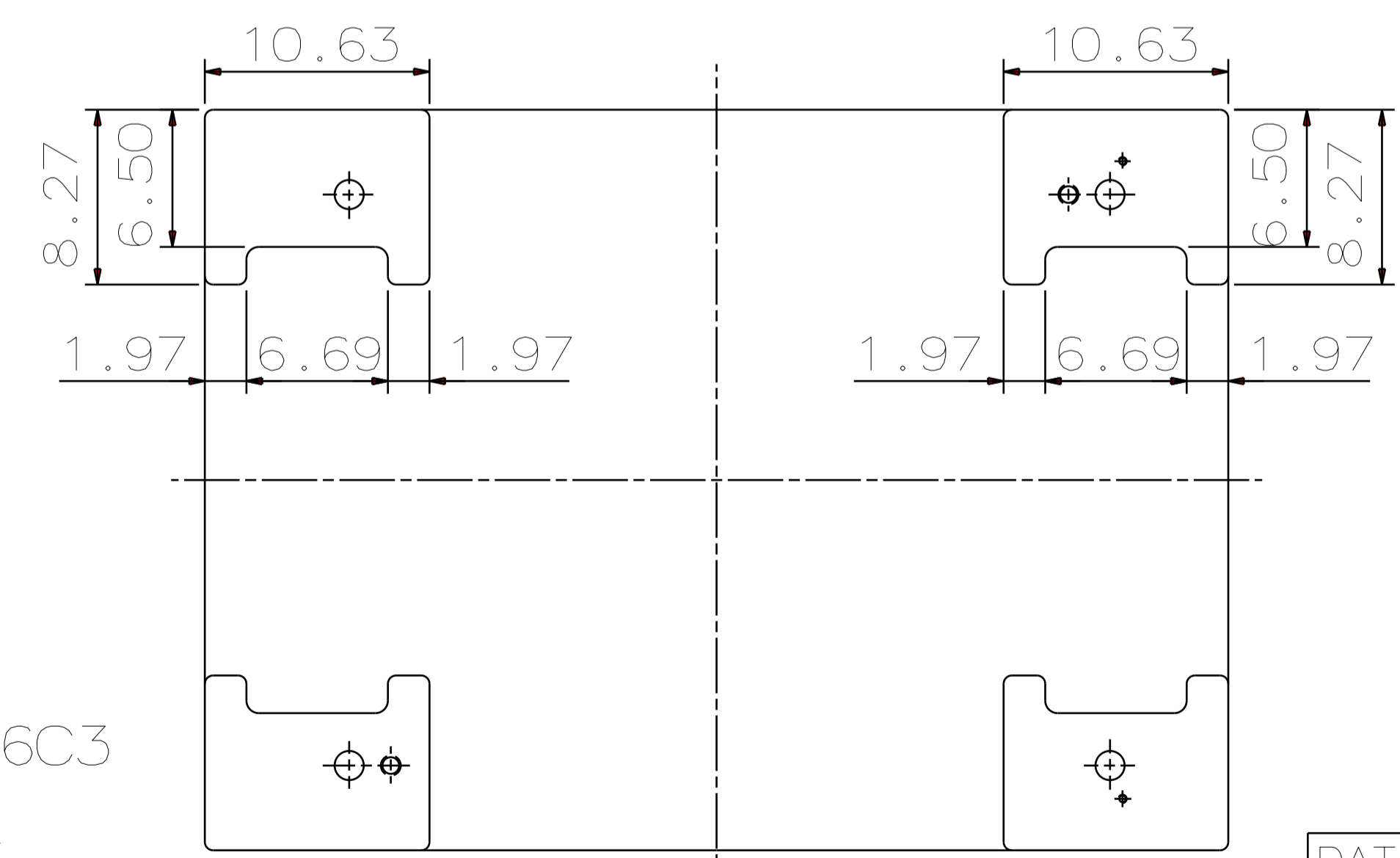
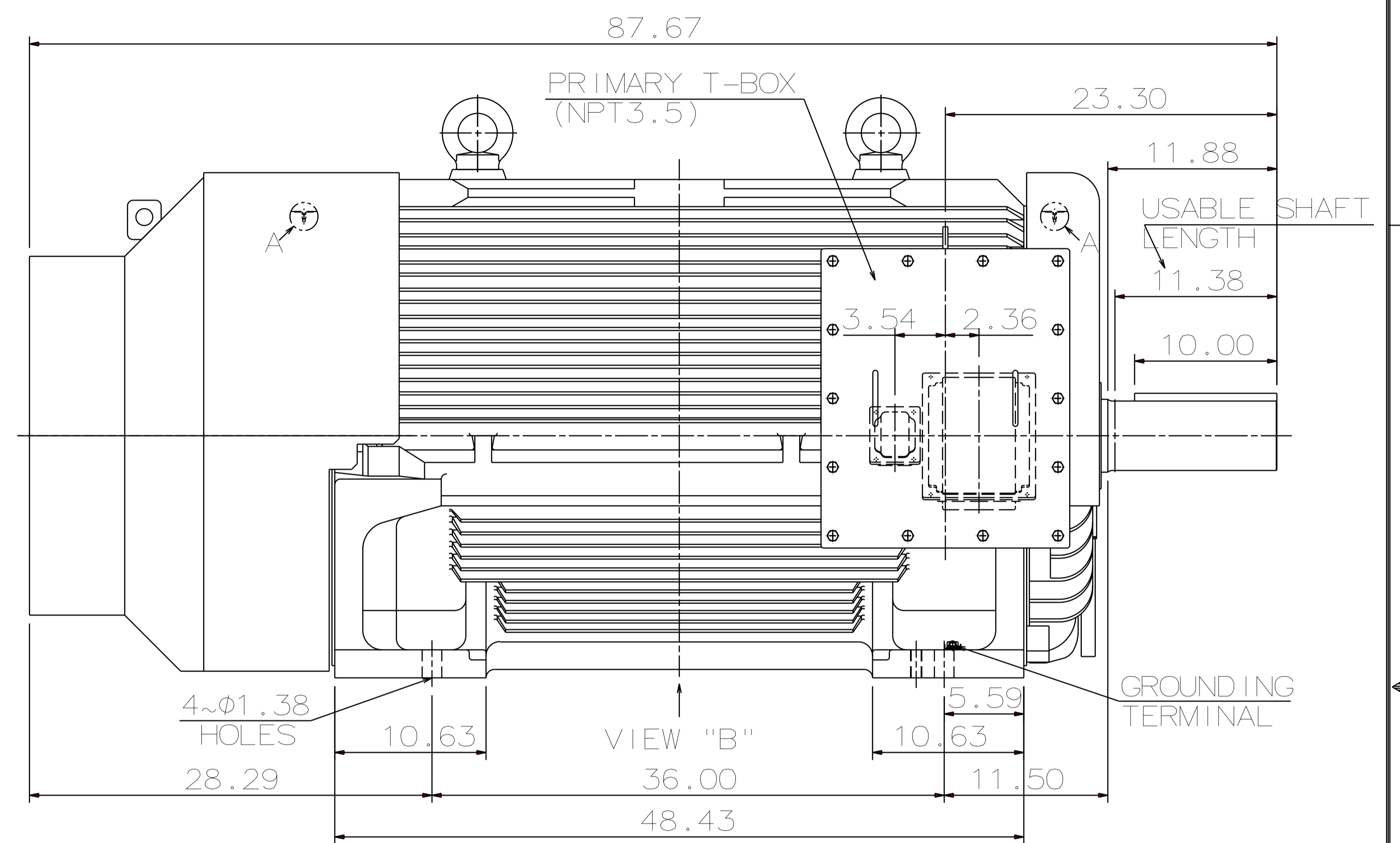
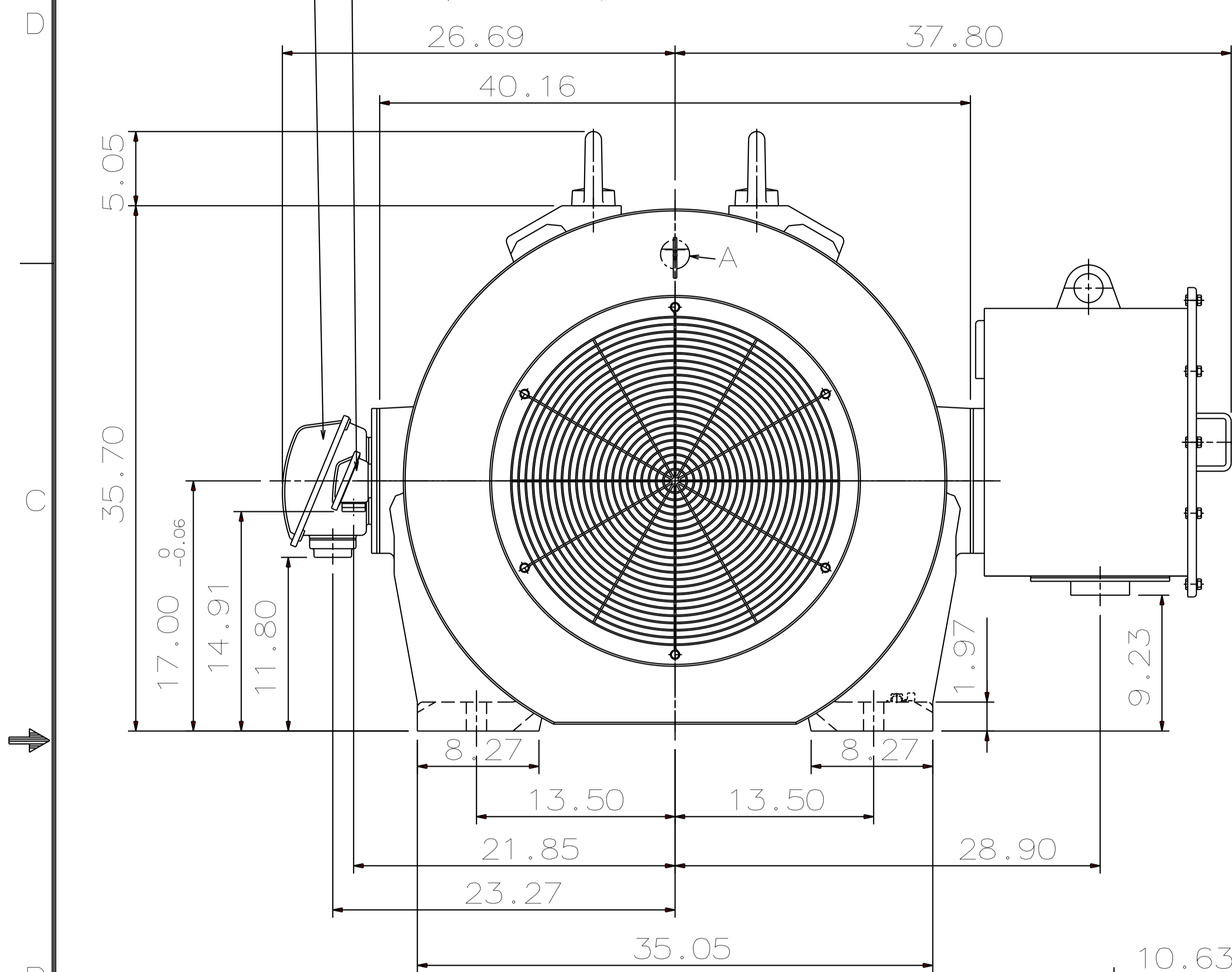
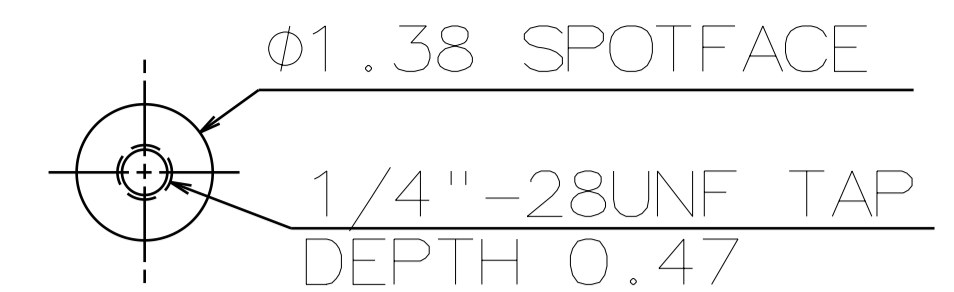


TYPE	OUTPUT		POLE	TIME RATING	VOLTAGE V	Hz	SYN. SPEED R.P.M
	HP.	kW.					
AEHAGD	600	447.4	8	CONT.	2300/4000	60	900

TOTALLY ENCLOSED FAN-COOLED TYPE, SQUIRREL-CAGE ROTOR

DETAIL A  
(PROVISION FOR VIBRATION SENSOR)



- NOTE:
- DIMENSIONS IN inch
  - FRAME NO. 6808C
  - F CLASS INSULATION, S.F.1.15
  - FOR BELT DRIVE
  - ENCLOSURE: IP55
  - BEARING SIZE: DRIVE-END NU326C3  
OPP. DRIVE-END 6322
  - WITH WINDING RTD: PT 100Ω/0°C 6PCS
  - WITH SPACE HEATER: SINGLE PHASE, 120V
  - PROVISION FOR BEARING RTD MOUNTING:  
2~PT1/2" TAPS PER BRACKET
  - NON-SPARKING FAN
  - CORROSION PROOF
  - APPROXIMATE WEIGHT: 7,830 LBS

VIEW "B"

DATE	DEC 08 2016	OUTLINE DIMENSIONS	
	KD6008R	3-PHASE INDUCTION MOTOR	
DWN.	J. CHANG	JUN.03.2015	
CHKD.	H. HUANG	JUN.03.2015	
APPD.	C. LIU	JUN.03.2015	
TEC Westinghouse		DWG NO.	REV:00
		4B040L401	