

6 5 4 3 2 1

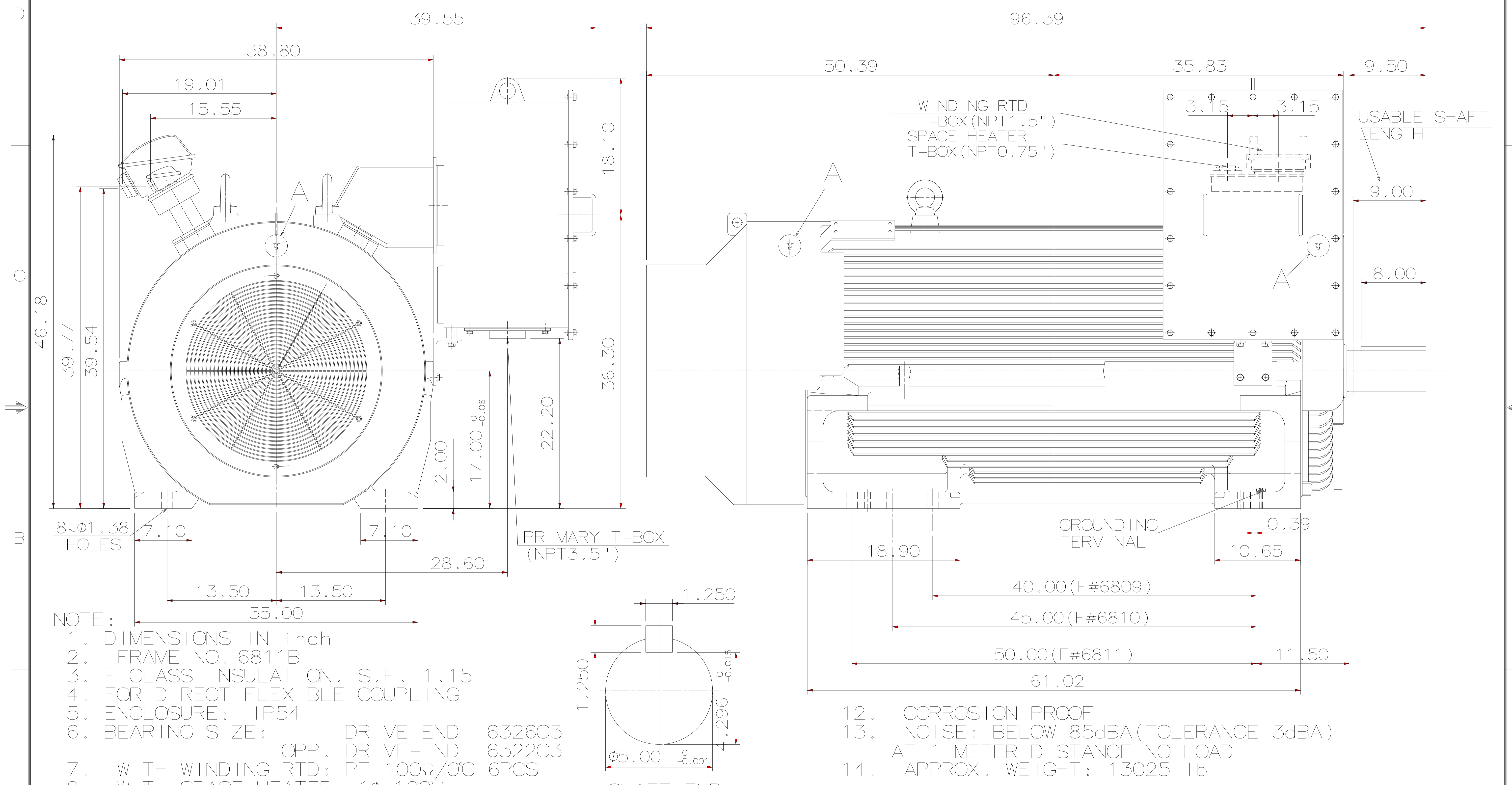
1/4"-28UNF TAP,
DEPTH 12mm

DETAIL A

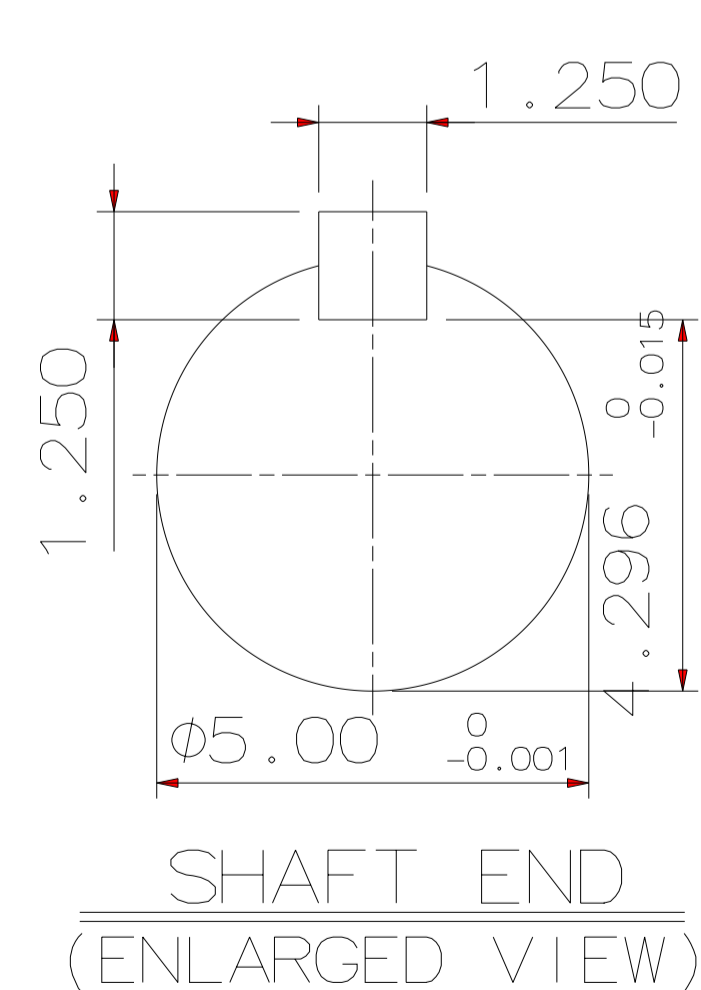
PROVISION FOR VIBRATION DETECTORS

TYPE	OUTPUT		POLE	TIME RATING	VOLTAGE V	Hz	SYN. SPEED R.P.M
	HP.	kW.					
AFHGTK	1250	933	6	CONT.	2300/4000	60	1200

TOTALLY ENCLOSED FAN-COOLED TYPE. SQUIRREL-CAGE ROTOR.



- NOTE:
1. DIMENSIONS IN inch
 2. FRAME NO. 6811B
 3. F CLASS INSULATION, S.F. 1.15
 4. FOR DIRECT FLEXIBLE COUPLING
 5. ENCLOSURE: IP54
 6. BEARING SIZE: DRIVE-END 6326C3
OPP. DRIVE-END 6322C3
 7. WITH WINDING RTD: PT 100Ω/0°C 6PCS
 8. WITH SPACE HEATER: 1φ 120V
 9. PROVISION FOR BEARING RTD MOUNTING: 2~PT 1/2" TAPS PER BRACKET
 10. CLASS 「ケ」, DIV. 2, GROUP B,C&D, T3
CLASS 「コ」, DIV. 2, GROUP F&G
 11. NON-SPARKING FAN



12. CORROSION PROOF
13. NOISE: BELOW 85dBA (TOLERANCE 3dBA) AT 1 METER DISTANCE NO LOAD
14. APPROX. WEIGHT: 13025 lb

DATE February 20, 2020	OUTLINE DIMENSIONS	
Catalog No. KF12506	3-PHASE INDUCTION MOTOR	
DWG NO. 4B040L941	REV:00	

DWN.	J. HSIAO	SEP.16.2015
CHKD.	C. SHIH	SEP.17.2015
APPD.	C. LIU	SEP.17.2015

TEC Westinghouse

6 5 4 3 2 1