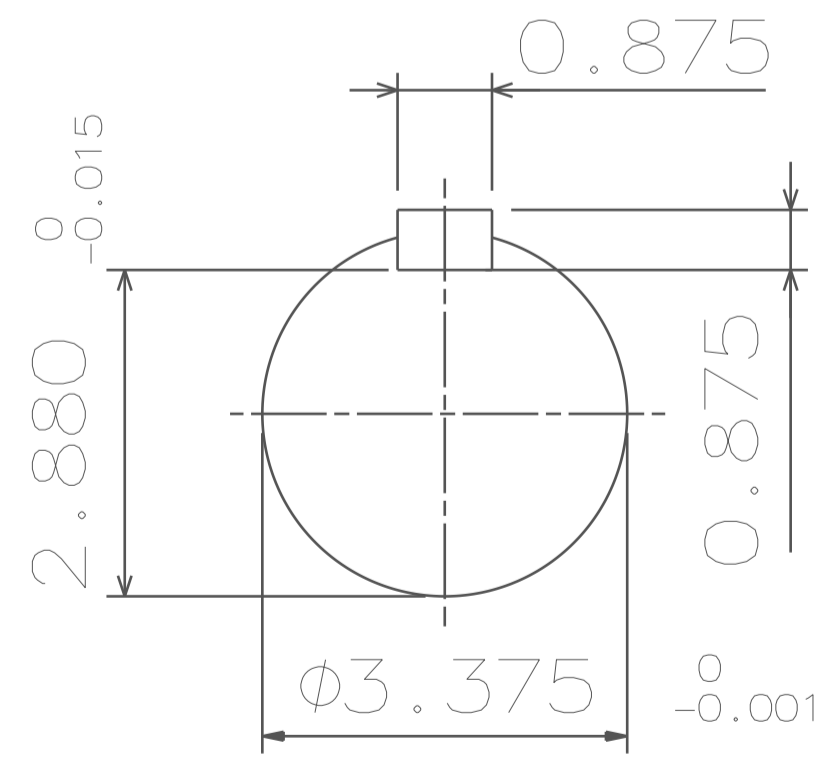
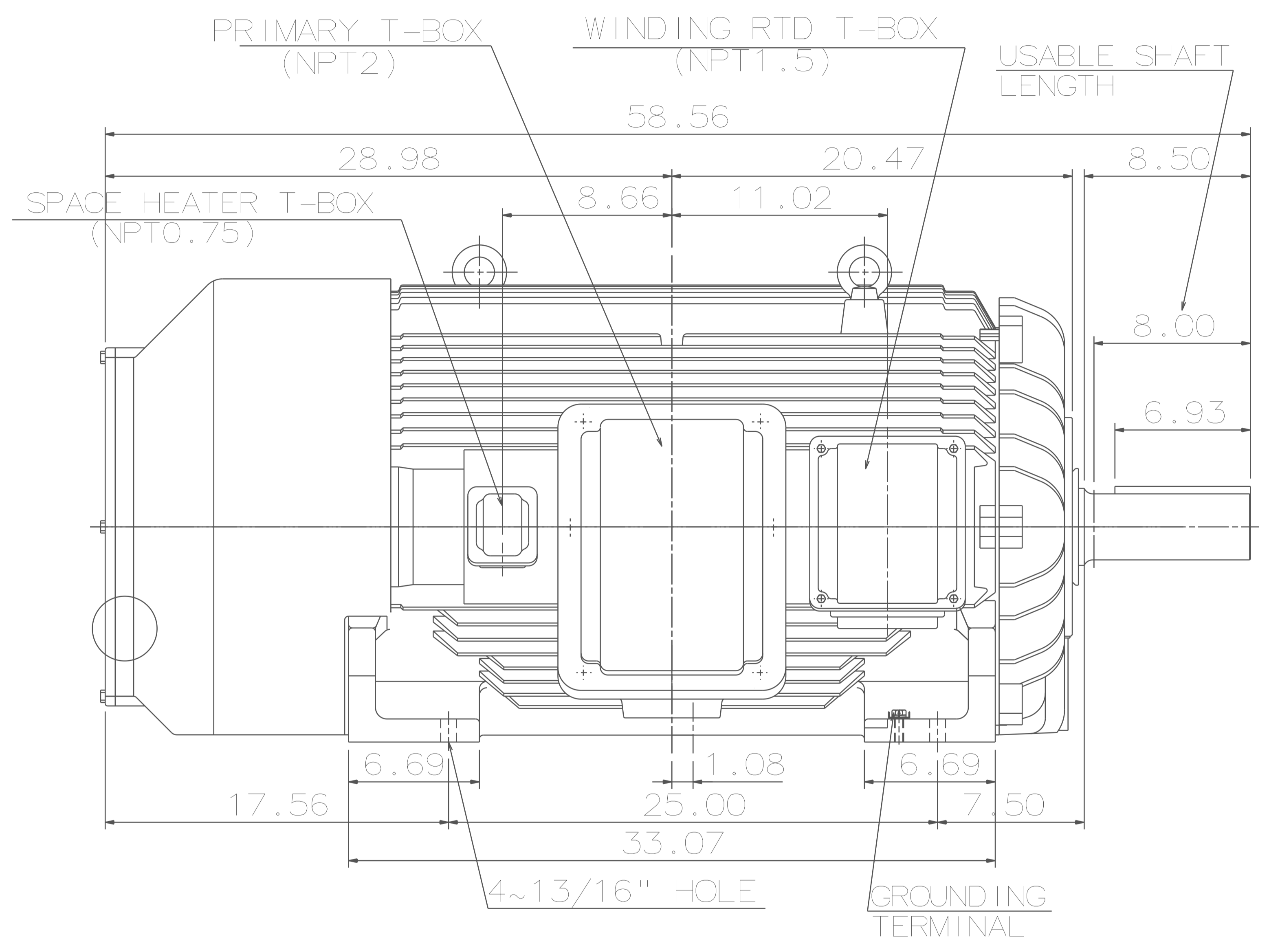
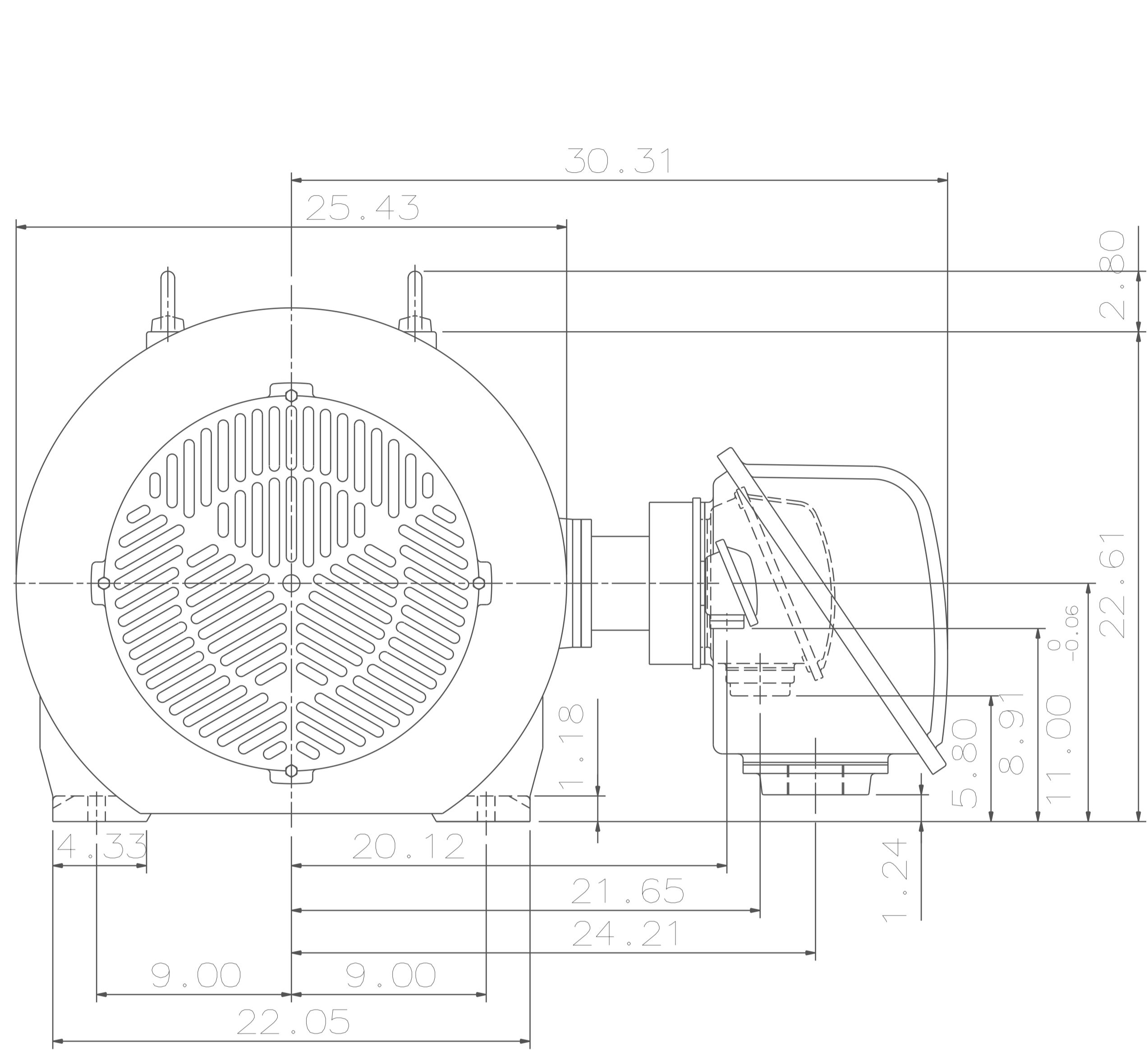


TYPE	OUTPUT		POLE	TIME RATING	VOLTAGE V	Hz	SYN. SPEED R.P.M
	HP.	kW.					
AEHG-TK	300	224	4	CONT.	2300/4160	60	1800

TOTALLY ENCLOSED FAN COOLED TYPE. SQUIRREL CAGE ROTOR



SHAFT END ENLARGED VIEW

NOTE:

1. DIMENSIONS IN INCH
2. FRAME NO. 449T
3. F CLASS INSULATION, S.F. 1.15
4. FOR DIRECT FLEXIBLE COUPLING
5. BEARING SIZE: DRIVE-END 6320
NON DRIVE-END 6316
6. WITH SPACE HEATER: 1Ø 120V 150W
7. WITH WINDING RTD: PT 100Ω /0°C 6PCS
8. ENCLOSURE: IP55
9. APPROXIMATE WEIGHT 2510 lbs

DATE January 12, 2014	OUTLINE DIMENSIONS	
Catalog #: KG3004T	3-PHASE INDUCTION MOTOR	
DWG NO. 4A040Y475	REV: 00	



DWN.	S. LEE	DEC•04•2013
CHKD.	S. LEE	DEC•04•2013
APPD.	C. SHIH	DEC•04•2013