

6 5 4 3 2 1

1/4"-28UNF TAP, DEPTH 0.50

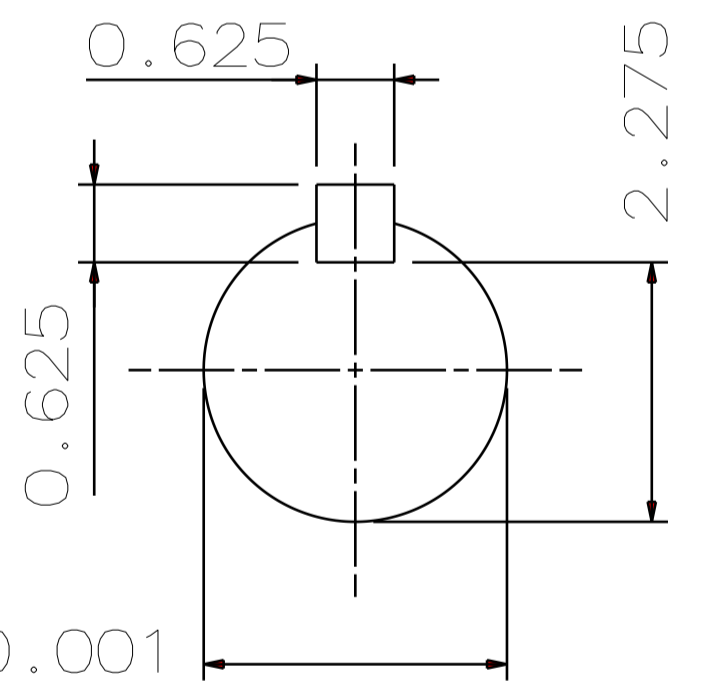
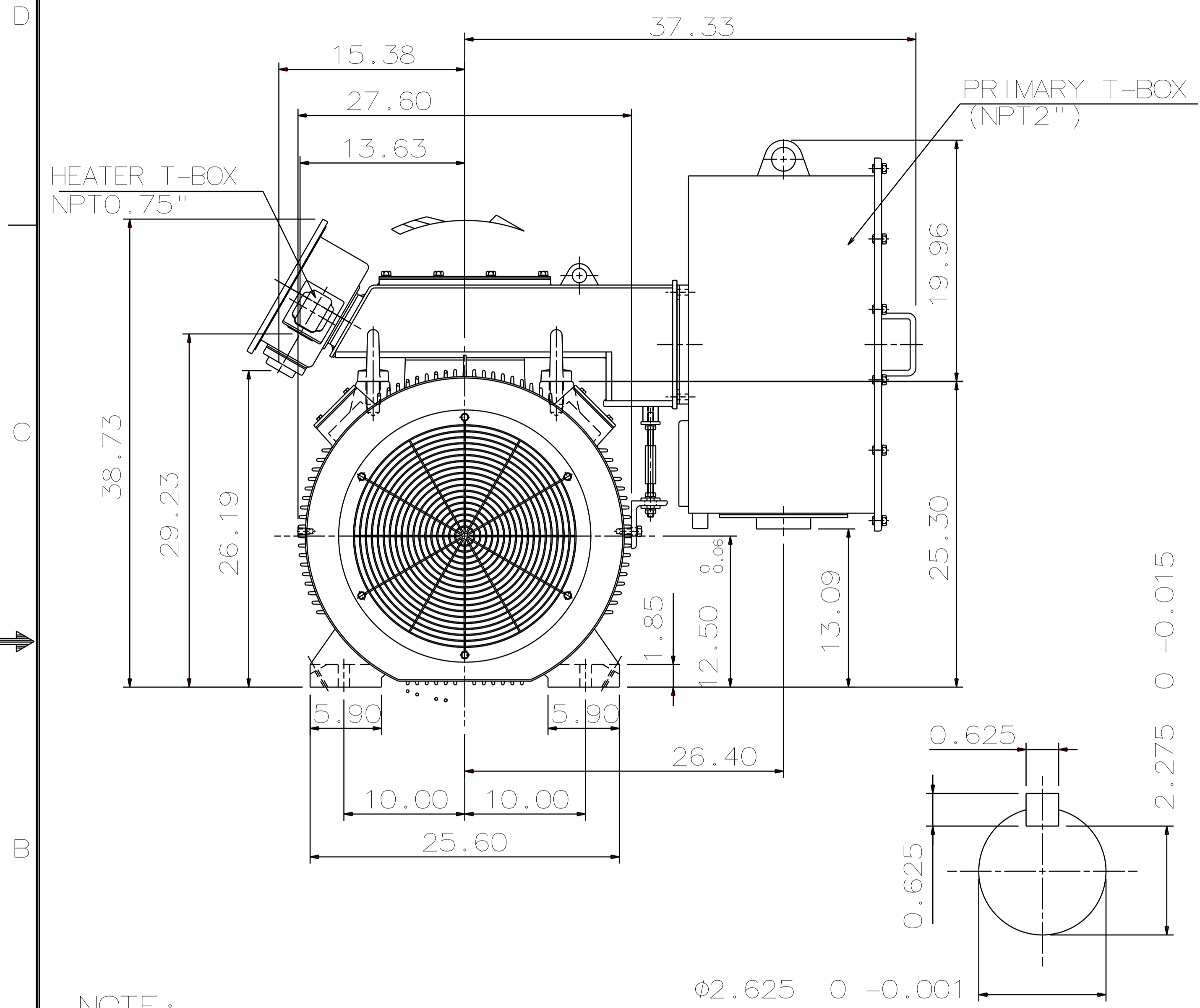
**DETAIL A**

PROVISION FOR VIBRATION DETECTORS

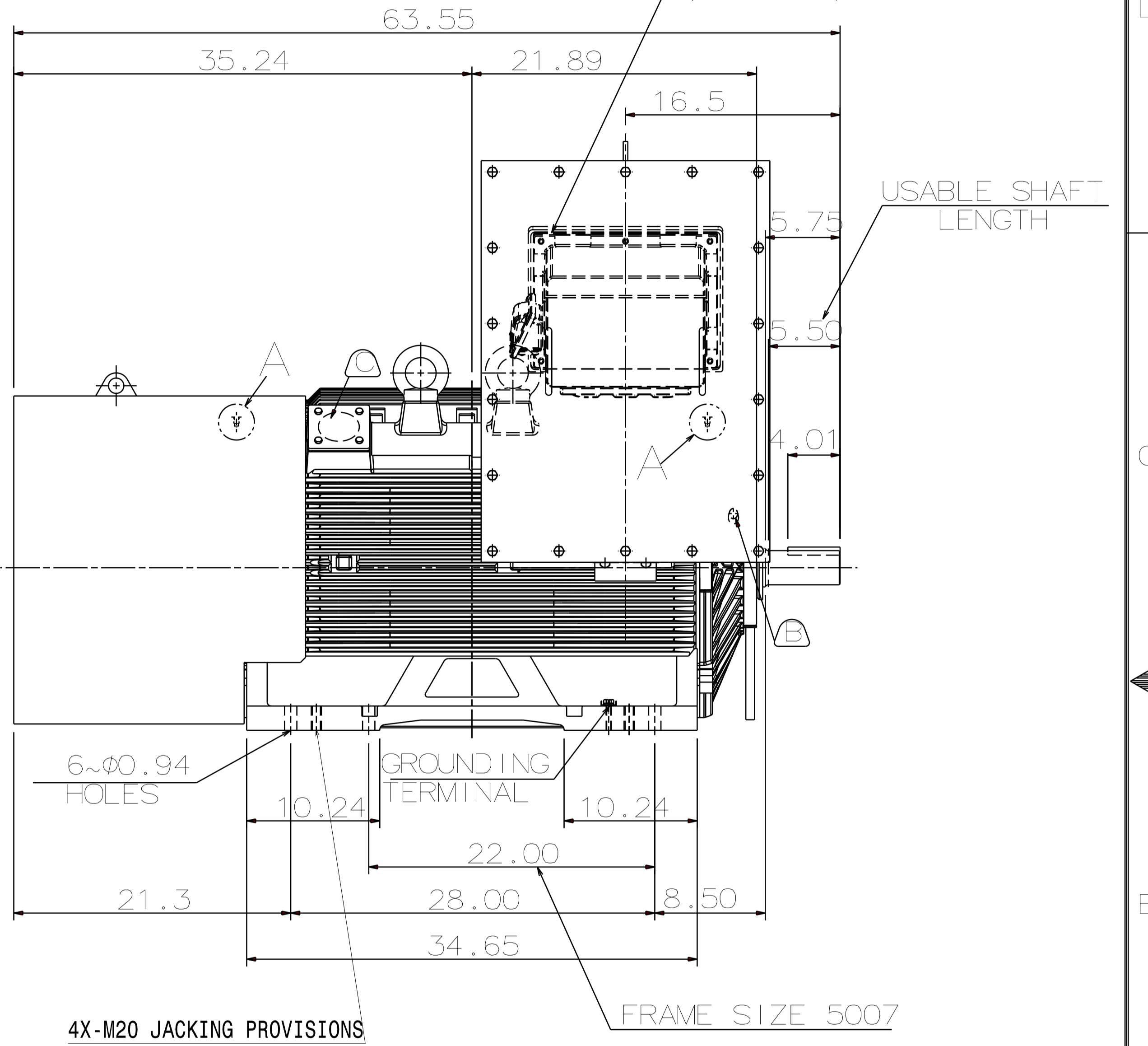
TYPE	OUTPUT		POLE	TIME RATING	VOLTAGE V	Hz	SYN. SPEED R.P.M
	HP.	kW.					
AFHP	350	261	2	CONT.	2300/4000	60	3600

TOTALLY ENCLOSED FAN-COOLED, TYPE. SQUIRREL-CAGE ROTOR

WINDING RTD T-BOX (NPT1.5")



SHAFT END (ENLARGED VIEW)



NOTE:

1. DIMENSIONS IN inch
  2. FRAME NO. 5009A
  3. F CLASS INSULATION
  4. FOR DIRECT FLEXIBLE COUPLING
  5. ENCLOSURE: IP55
  6. BEARING SIZE: DRIVE-END 6315C3  
OPP. DRIVE-END 6315C3
  7. WITH SPACE HEATER & WINDING RTD
  8. MOTOR APPROX. WEIGHT: 3660 lb
- ⓐ FOR BEARING RTD, END BRACKETS SHALL BE PRE-DRILLED AND PLUGGED.
- ⓑ FOR AUXILIARY, FRAME SHALL BE PRE-DRILLED AND COVERD WITH STEEL PLATE.

DWN.	L. JHENG	APR. 29. 2019
CHKD.	H. WANG	APR. 30. 2019
APPD.	C. WANG	APR. 30. 2019

DATE 070822	OUTLINE DIMENSIONS	
<b>KPF3502</b>	3-PHASE INDUCTION MOTOR	
TEC Westinghouse		DWG NO. REV:01 5A040C206

6 5 4 3 2 1