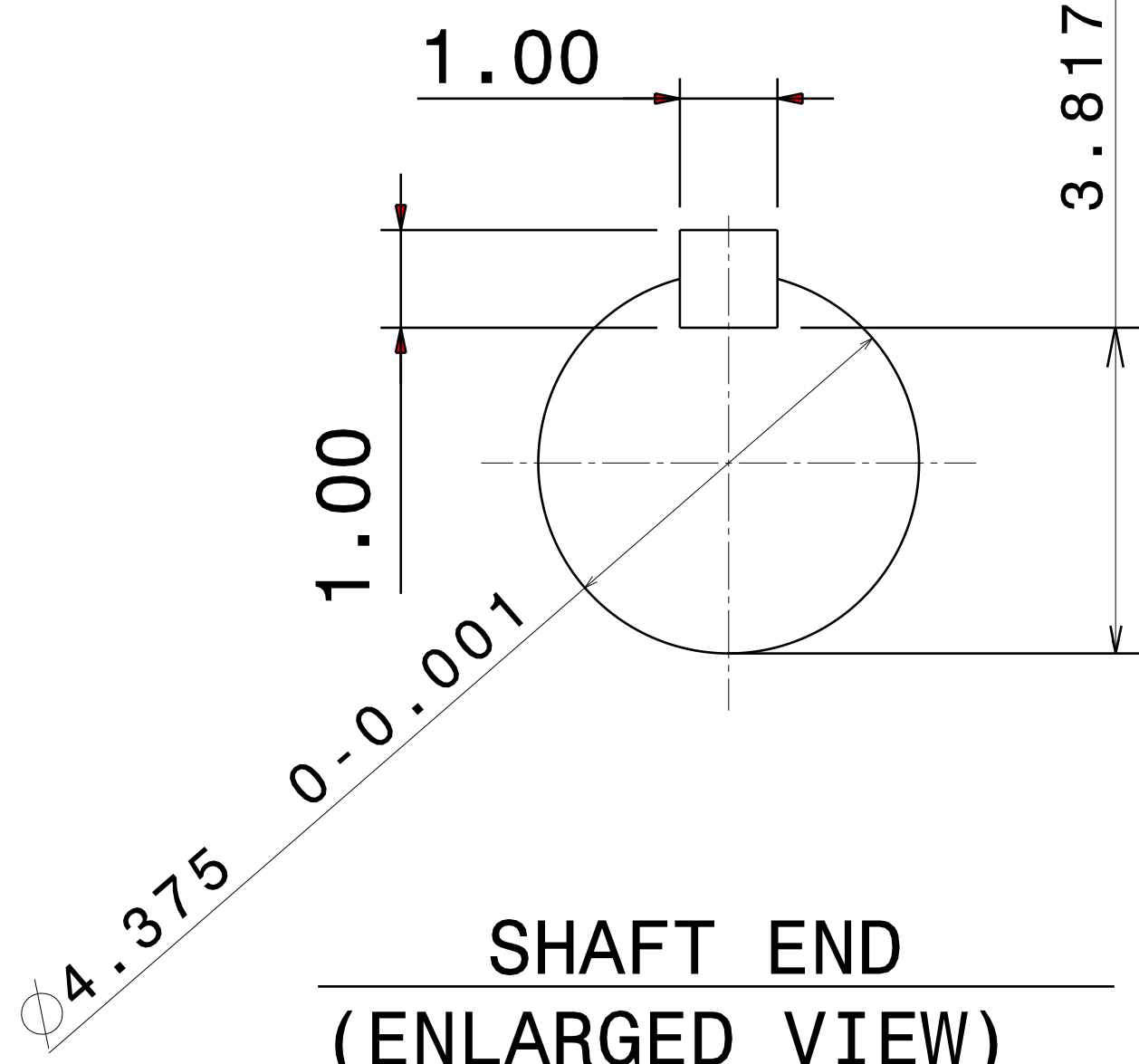
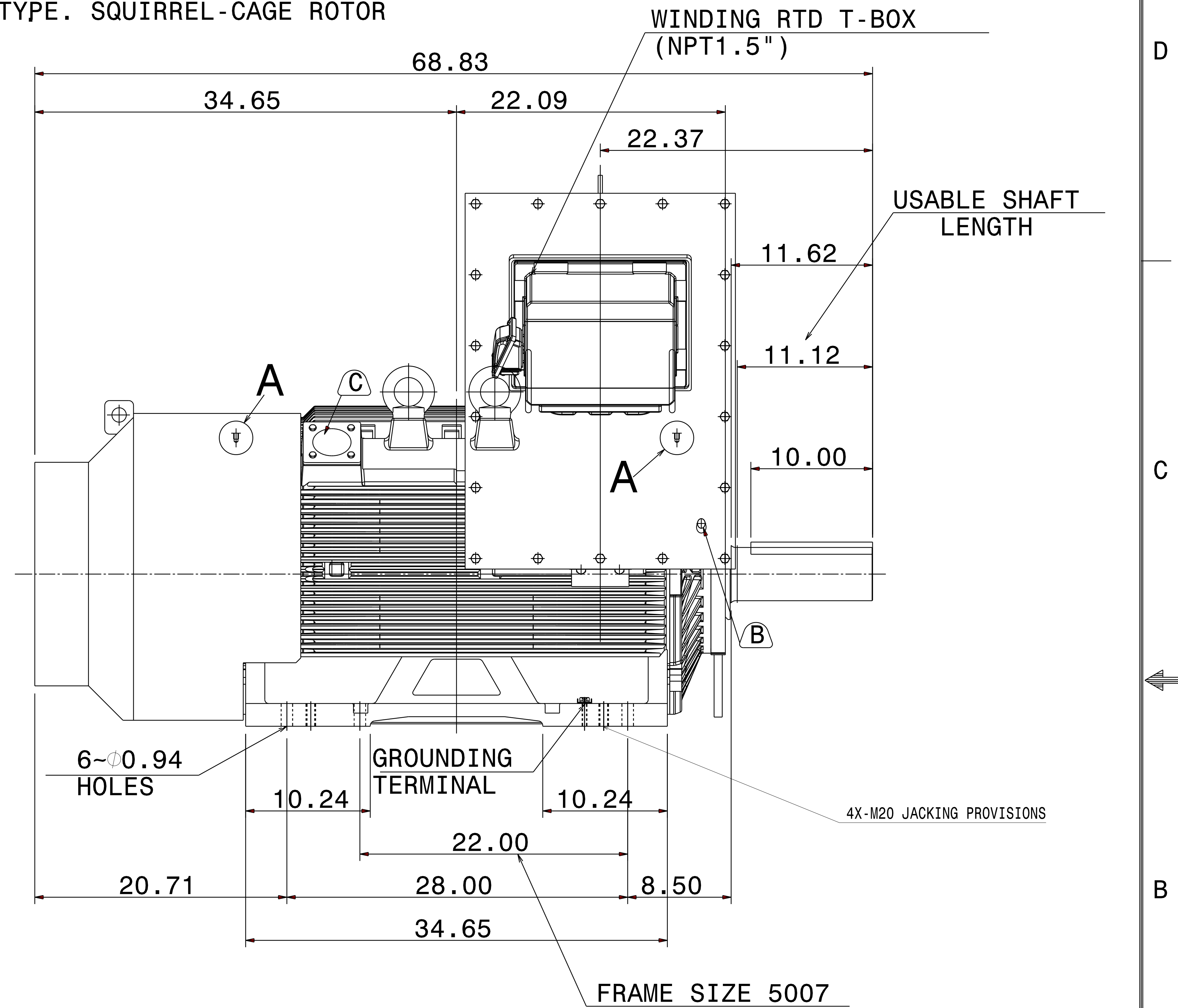
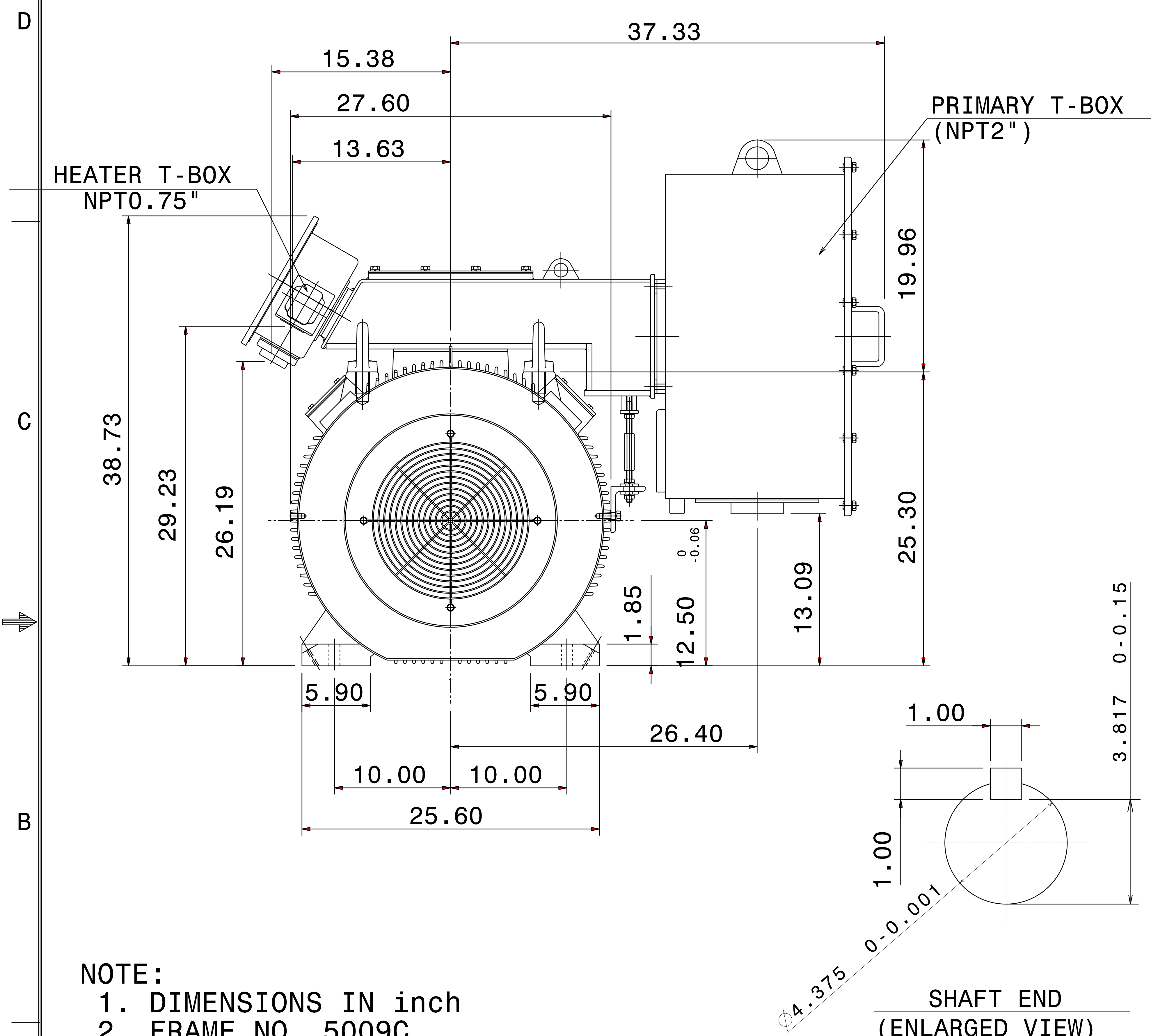


6 5 4 3 2 1

1/4" -28UNF TAP,
DEPTH 0.50
DETAIL A

| TYPE | OUTPUT | | POLE | TIME RATING | VOLTAGE V | Hz | SYN. SPEED R.P.M |
|------|--------|-----|------|-------------|-----------|----|------------------|
| | HP. | kW. | | | | | |
| AFHP | 350 | 261 | 6 | CONT. | 2300/4000 | 60 | 1200 |

PROVISION FOR VIBRATION DETECTORS TOTALLY ENCLOSED FAN-COOLED TYPE. SQUIRREL-CAGE ROTOR



- NOTE:**
- DIMENSIONS IN inch
 - FRAME NO. 5009C
 - F CLASS INSULATION
 - FOR DIRECT FLEXIBLE COUPLING
 - ENCLOSURE: IP55
 - BEARING SIZE: DRIVE-END NU324C3
 OPP. DRIVE-END 6320C3
 - WITH SAPCE HEATER & WINDING RTD
 - MOTOR APPROX. WEIGHT: 4030 lb
- ⓑ FOR BEARING RTD, END BRACKETS SHALL BE PRE-DRILLED AND PLUGGED.
- ⓒ FOR AUXILIARY, FRAME SHALL BE PRE-DRILLED AND COVERD WITH STEEL PLATE.

| | | | | |
|-------------------------|--|--|---------------------------|---------|
| DATE | | | OUTLINE DIMENSIONS | |
| KPF3506R | | | | |
| 3-PHASE INDUCTION MOTOR | | | DWG NO. | REV: 02 |
| TEC Westinghouse | | | 5A040C215 | 1/1 |

| | | |
|-------|----------|--------------|
| DWN. | L. JHENG | APR -29 2019 |
| CHKD. | H. WANG | APR -30 2019 |
| APPD. | C. WANG | APR -30 2019 |

6 5 4 3 2 1