

6

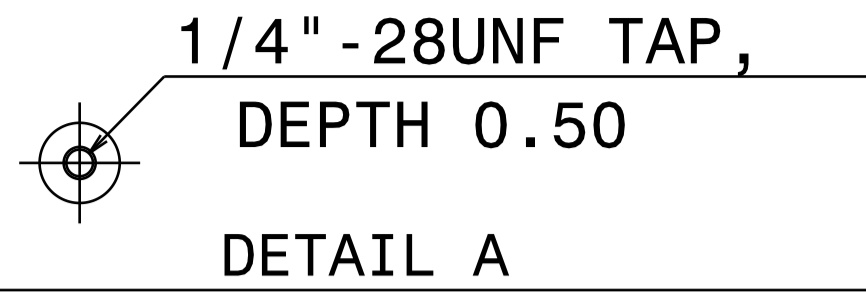
5

4

3

2

1

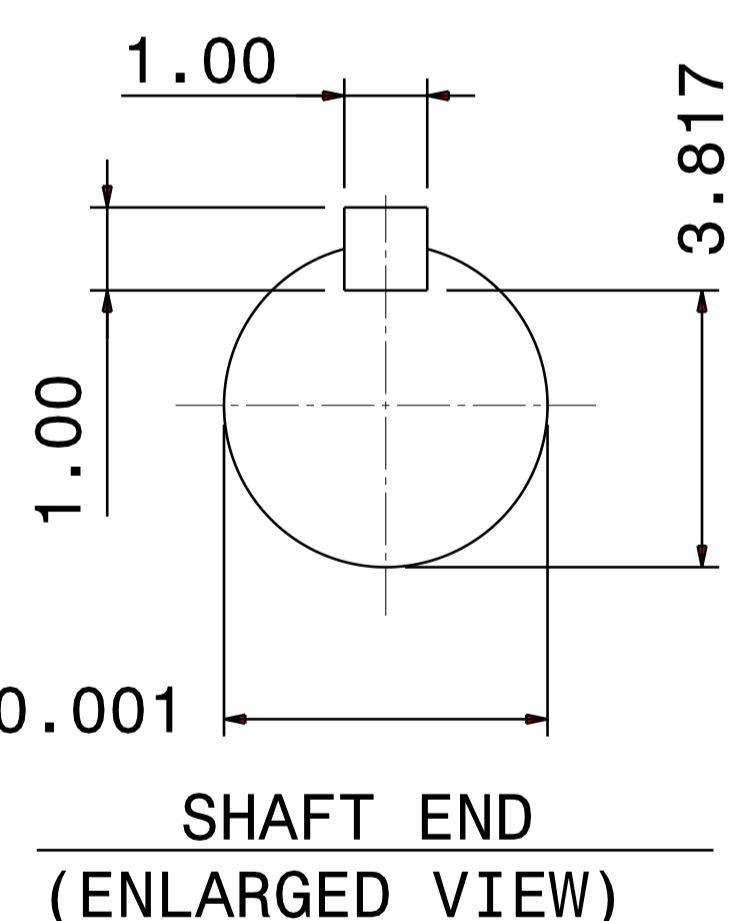
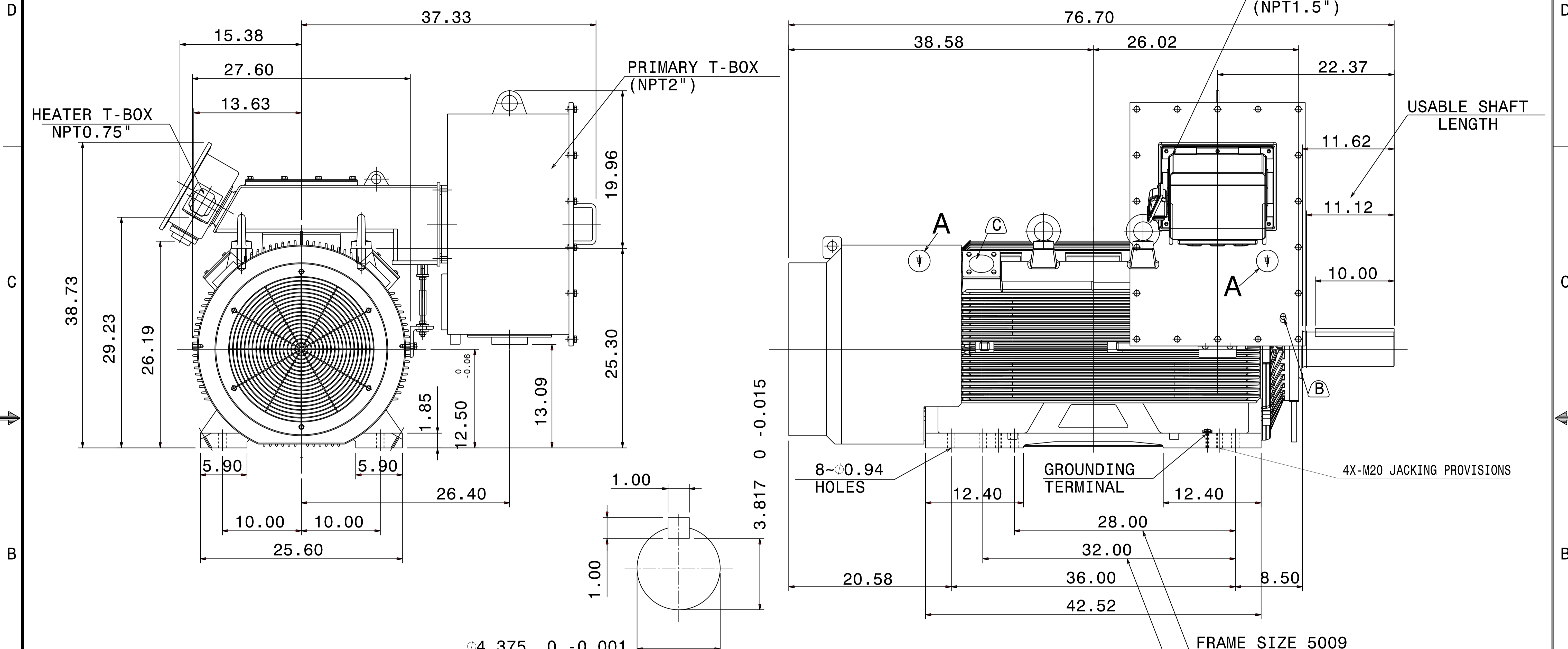


TYPE	OUTPUT		POLE	TIME RATING	VOLTAGE V	Hz	SYN. SPEED R.P.M
	HP.	kW.					
AFHP	350	261	8	CONT.	2300/4000	60	900

PROVISION FOR VIBRATION DETECTORS

TOTALLY ENCLOSED FAN-COOLED TYPE. SQUIRREL-CAGE ROTOR

WINDING RTD T-BOX (NPT1.5")



- NOTE:**
- DIMENSIONS IN inch
 - FRAME NO. 5011C
 - F CLASS INSULATION
 - FOR DIRECT FLEXIBLE COUPLING
 - ENCLOSURE: IP55
 - BEARING SIZE: DRIVE-END NU324C3
OPP. DRIVE-END 6320C3
 - WITH SAPCE HEATER & WINDING RTD
 - MOTOR APPROX. WEIGHT: 5190 lb
- Ⓑ FOR BEARING RTD, END BRACKETS SHALL BE PRE-DRILLED AND PLUGGED.
- Ⓒ FOR AUXILIARY, FRAME SHALL BE PRE-DRILLED AND COVERD WITH STEEL PLATE.

DATE			OUTLINE DIMENSIONS	
KPF3508R				
DWN. L. JHENG APR.29 2019			3-PHASE INDUCTION MOTOR	
CHKD. H. WANG APR.30 2019			DWG NO. REV: 02	
APPD. C. WANG APR.30 2019			5A040C219	



6

5

4

3

2

1