

6

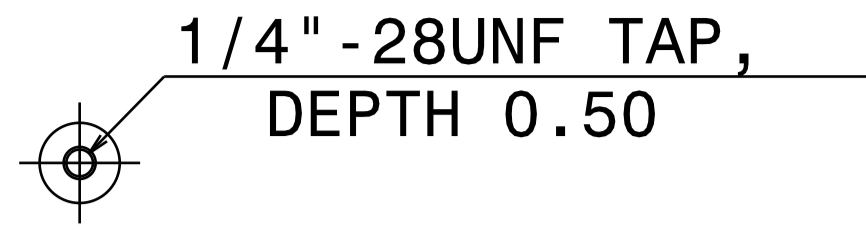
5

4

3

2

1

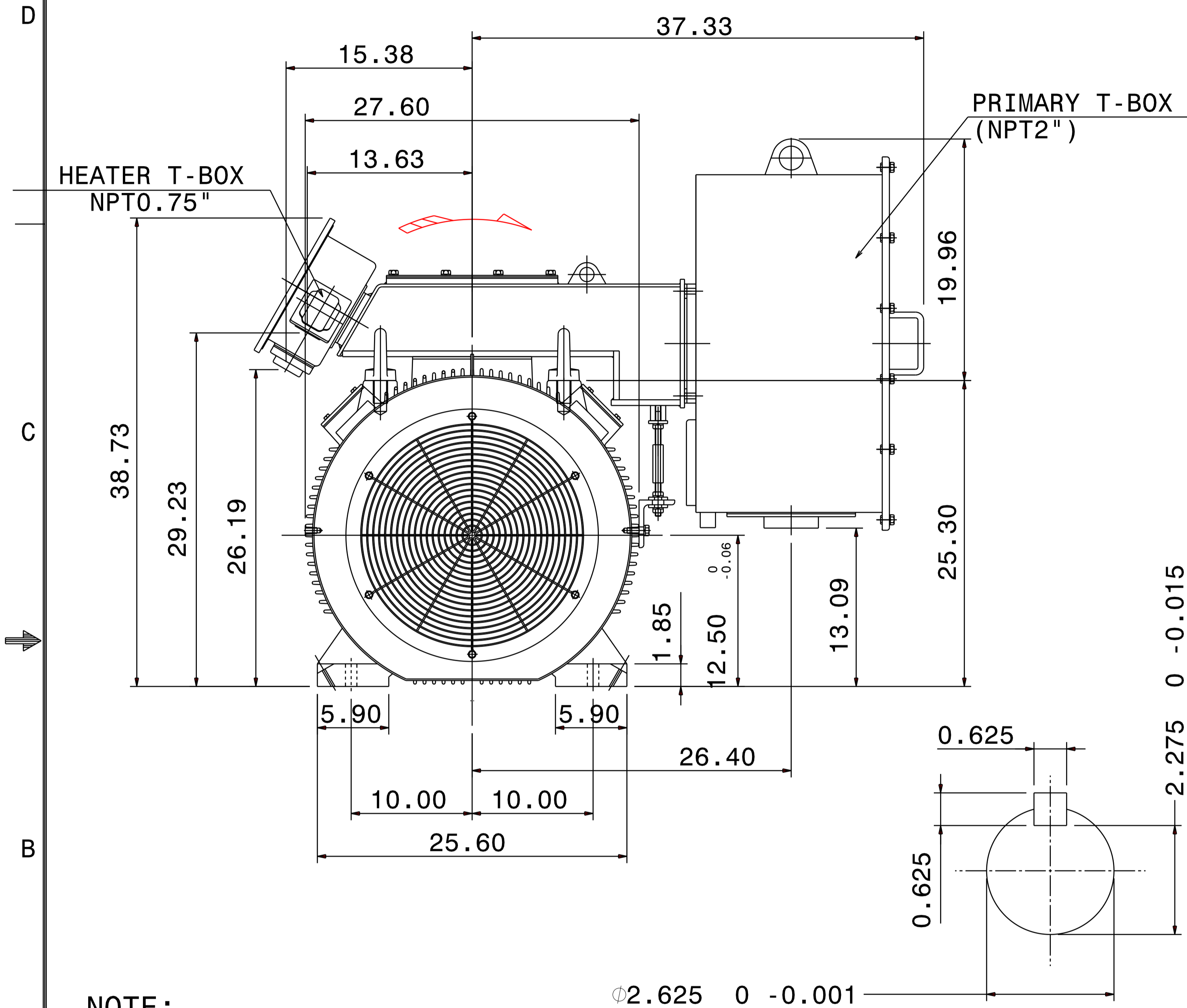


DETAIL A

PROVISION FOR VIBRATION DETECTORS

TYPE	OUTPUT		POLE	TIME RATING	VOLTAGE V	Hz	SYN.SPEED R.P.M
	HP.	KW.					
AFHP	450	336	2	CONT.	2300/4000	60	3600

TOTALLY ENCLOSED FAN-COOLED TYPE. SQUIRREL-CAGE ROTOR

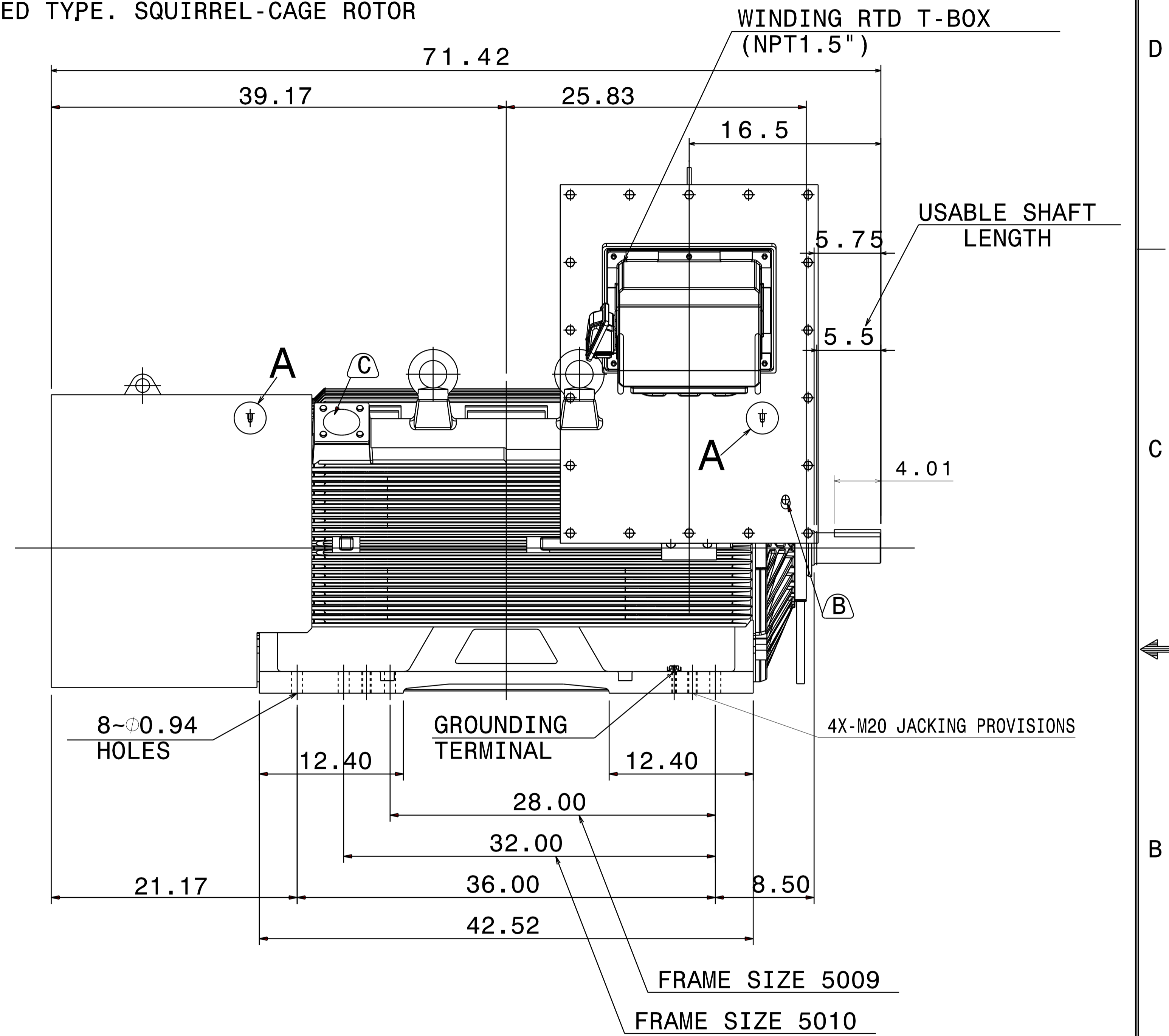


SHAFT END (ENLARGED VIEW)

Ø2.625 0 -0.001

NOTE:

- DIMENSIONS IN inch
 - FRAME NO. 5011A
 - F CLASS INSULATION
 - FOR DIRECT FLEXIBLE COUPLING
 - ENCLOSURE: IP55
 - BEARING SIZE: DRIVE-END 6315C3
OPP. DRIVE-END 6315/C3VL0241
 - WITH SAPCE HEATER & WINDING RTD
 - MOTOR APPROX. WEIGHT: 4770 lb
- ⓑ FOR BEARING RTD, END BRACKETS SHALL BE PRE-DRILLED AND PLUGGED.
- ⓒ FOR AUXILIARY, FRAME SHALL BE PRE-DRILLED AND COVERD WITH STEEL PLATE.



FRAME SIZE 5009
FRAME SIZE 5010

DATE			OUTLINE DIMENSIONS	
KPF4502			3-PHASE INDUCTION MOTOR	
DWN.	L. JHENG	APR ·29 2019	DWG NO.	REV: 02
CHKD.	H. WANG	APR ·30 2019	5A040C210	
APPD.	C. WANG	APR ·30 2019	TEC Westinghouse	

6

5

4

3

2

1