

6

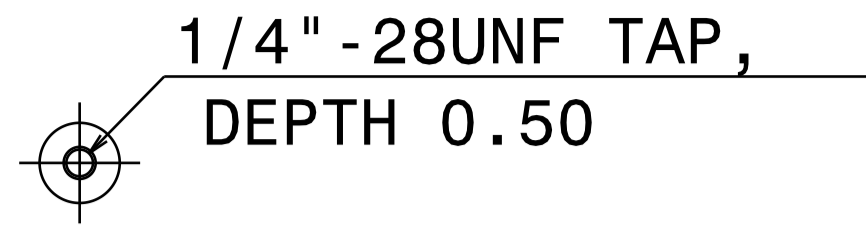
5

4

3

2

1

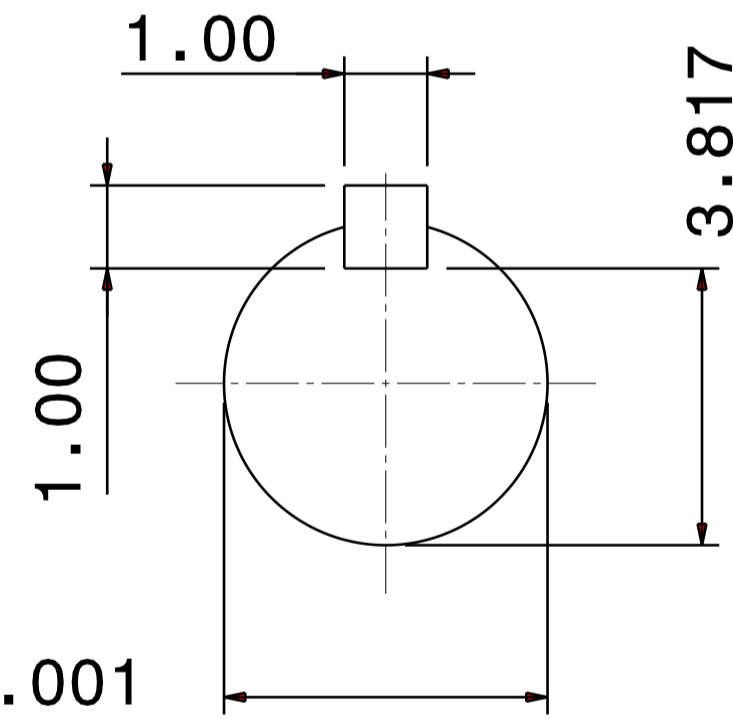
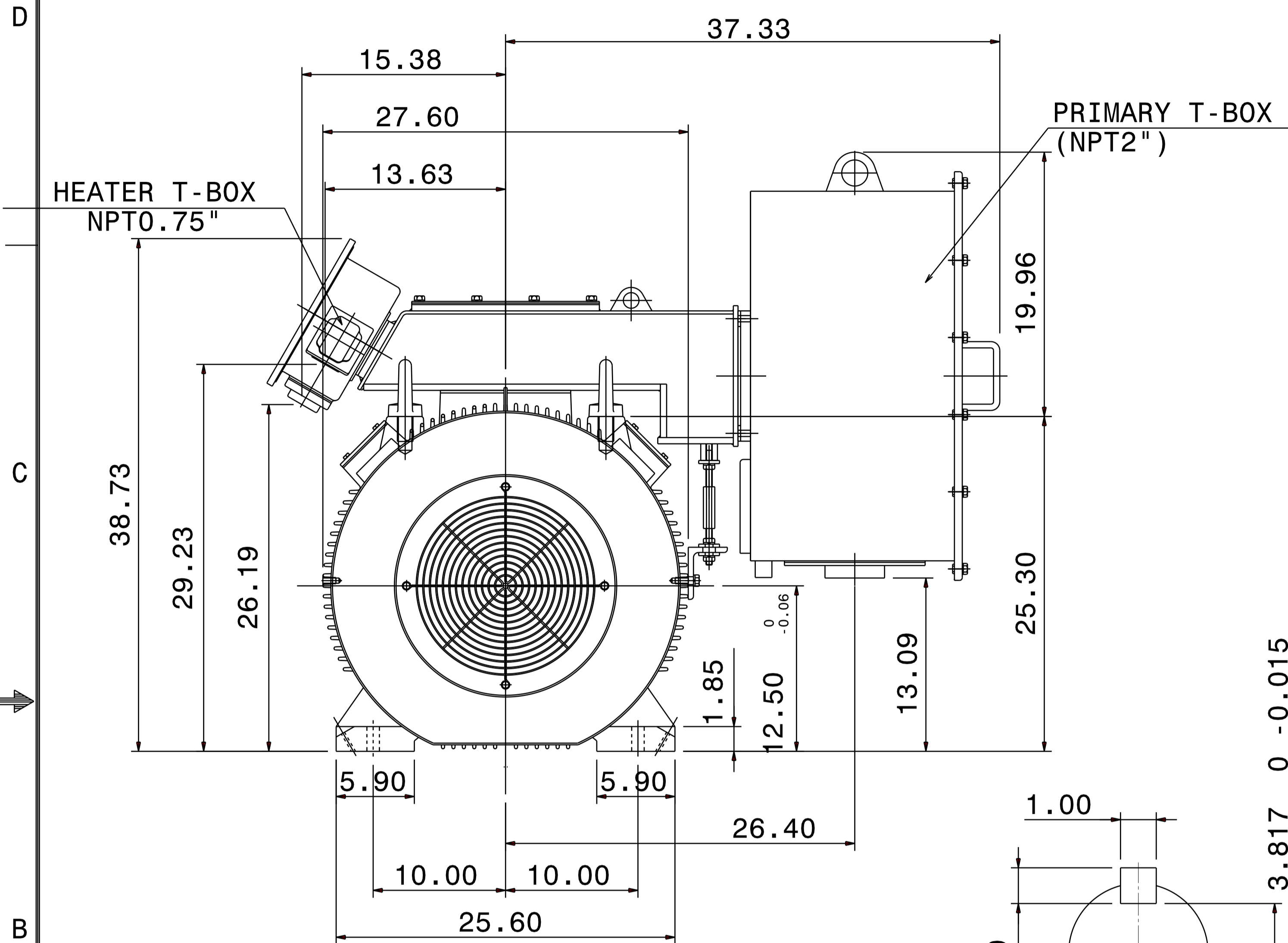


DETAIL A

PROVISION FOR VIBRATION DETECTORS

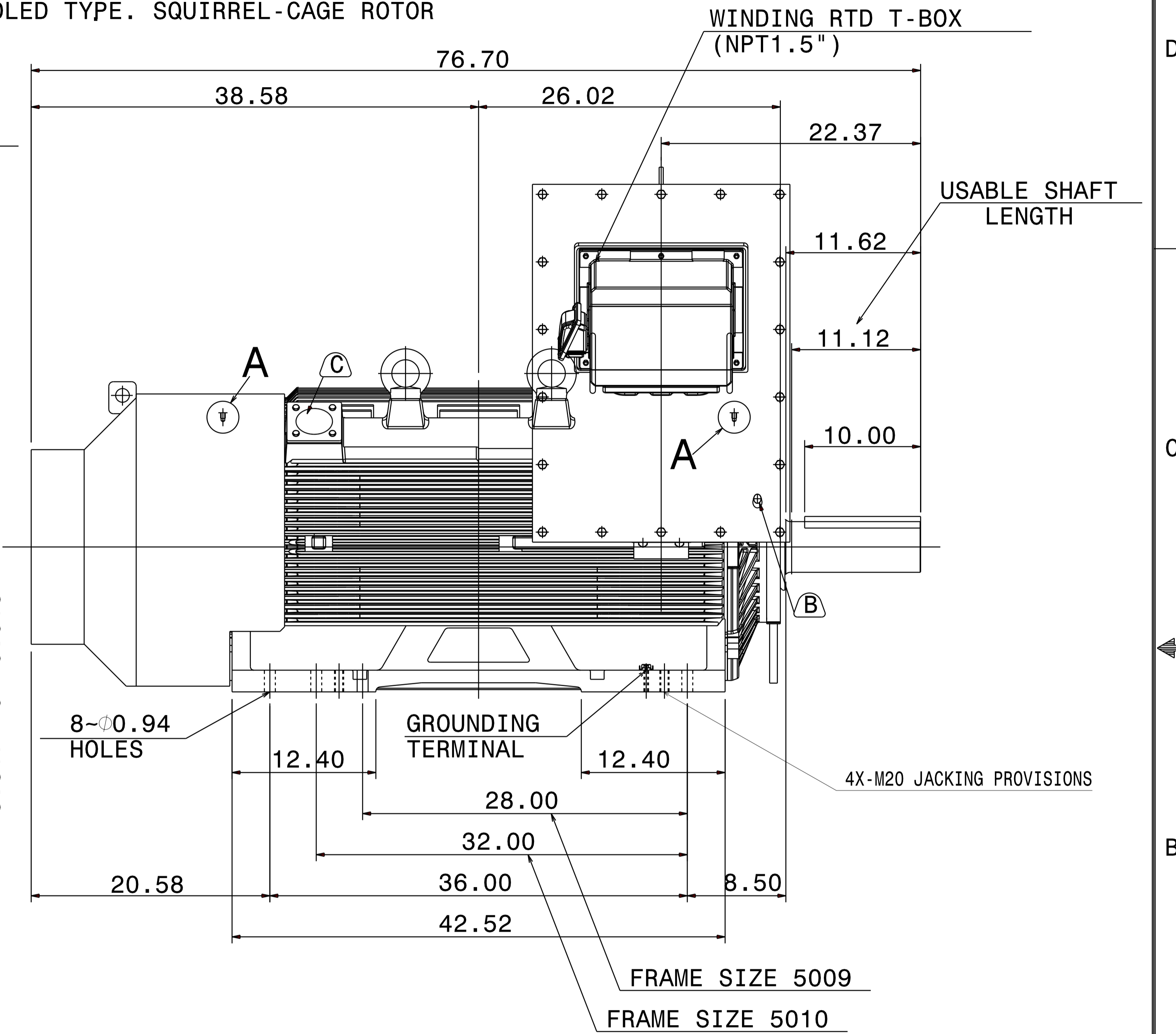
TYPE	OUTPUT		POLE	TIME RATING	VOLTAGE V	Hz	SYN.SPEED R.P.M
	HP.	kW.					
AFHP	450	336	4	CONT.	2300/4000	60	1800

TOTALLY ENCLOSED FAN-COOLED TYPE. SQUIRREL-CAGE ROTOR



Ø4.375 0 -0.001

SHAFT END (ENLARGED VIEW)



FRAME SIZE 5009
FRAME SIZE 5010

NOTE:

- DIMENSIONS IN inch
 - FRAME NO. 5011C
 - F CLASS INSULATION
 - FOR DIRECT FLEXIBLE COUPLING
 - ENCLOSURE: IP55
 - BEARING SIZE: DRIVE-END NU324C3
OPP. DRIVE-END 6320C3
 - WITH SAPCE HEATER & WINDING RTD
 - MOTOR APPROX. WEIGHT: 4710 lb
- Ⓑ FOR BEARING RTD, END BRACKETS SHALL BE PRE-DRILLED AND PLUGGED.
- Ⓒ FOR AUXILIARY, FRAME SHALL BE PRE-DRILLED AND COVERD WITH STEEL PLATE.

DATE			OUTLINE DIMENSIONS	
KPF4504R			3-PHASE INDUCTION MOTOR	
DWN.	L. JHENG	APR ·29 2019	DWG NO.	REV: 02
CHKD.	H. WANG	APR ·30 2019	5A040C217	
APPD.	C. WANG	APR ·30 2019	TEC Westinghouse	

6

5

4

3

2

1