

6

5

4

3

2

1



DETAIL A

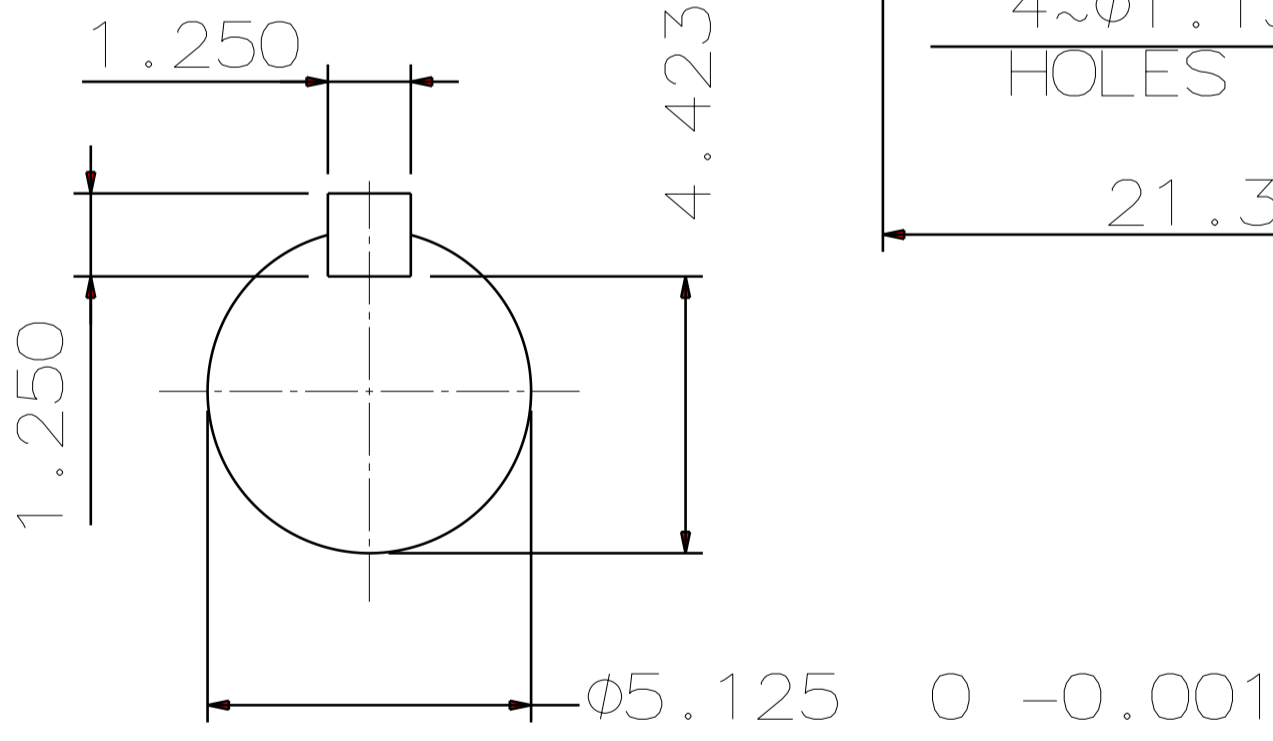
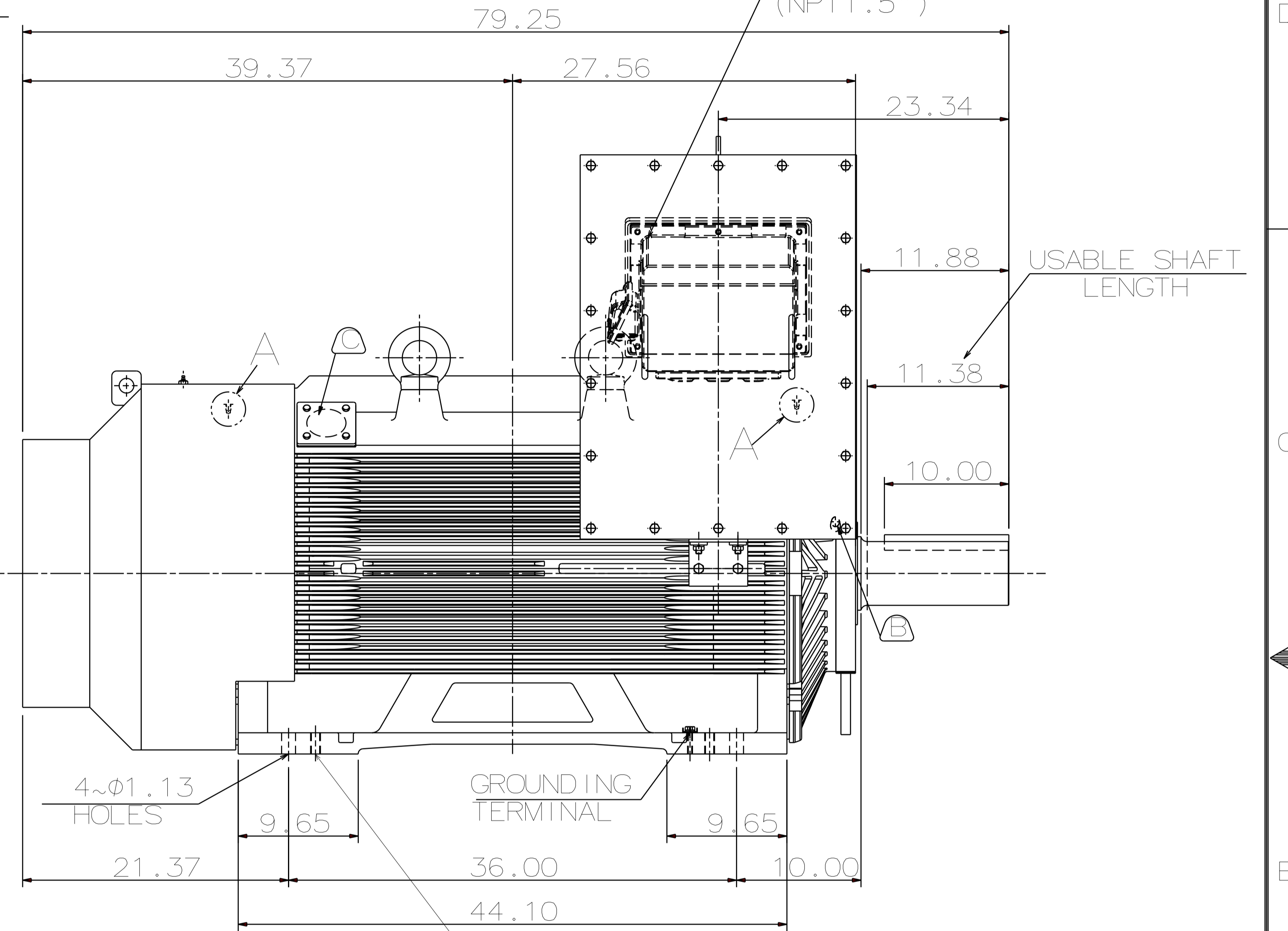
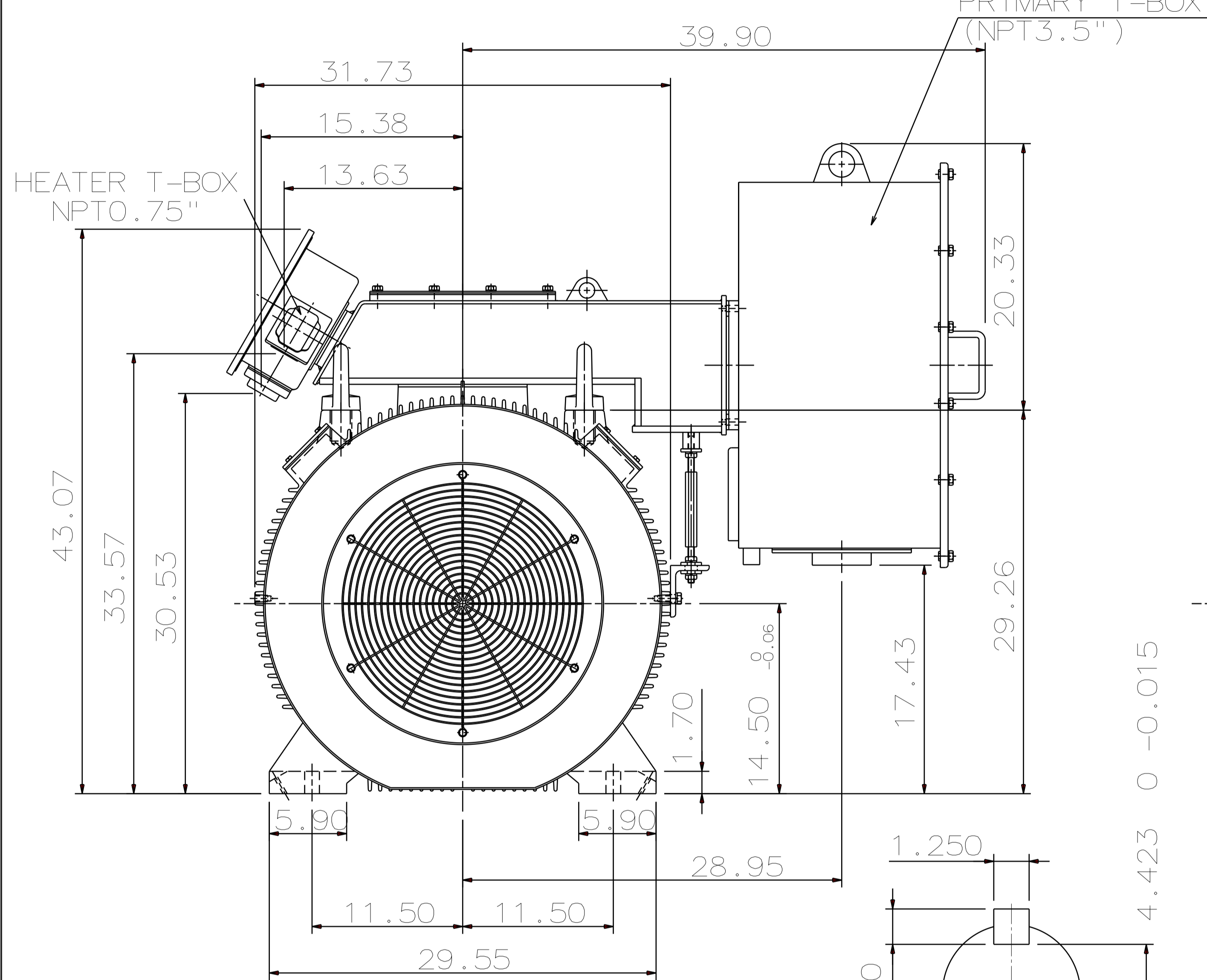
PROVISION FOR VIBRATION DETECTORS

TYPE	OUTPUT		POLE	TIME RATING	VOLTAGE V	Hz	SYN. SPEED R.P.M
	HP.	kW.					
AFHP	600	448	6	CONT.	2300/4000	60	1200

TOTALLY ENCLOSED FAN-COOLED, TYPE. SQUIRREL-CAGE ROTOR

PRIMARY T-BOX (NPT3.5")

WINDING RTD T-BOX (NPT1.5")



SHAFT END (ENLARGED VIEW)

NOTE:

1. DIMENSIONS IN inch
  2. FRAME NO. 5810C
  3. F CLASS INSULATION
  4. FOR DIRECT FLEXIBLE COUPLING
  5. ENCLOSURE: IP55
  6. BEARING SIZE: DRIVE-END NU330C3  
OPP. DRIVE-END 6322C3
  7. WITH SPACE HEATER & WINDING RTD
  8. MOTOR APPROX. WEIGHT: 6900 lb
- Ⓟ FOR BEARING RTD, END BRACKETS SHALL BE PRE-DRILLED AND PLUGGED.
- Ⓞ FOR AUXILIARY, FRAME SHALL BE PRE-DRILLED AND COVERD WITH STEEL PLATE.

DATE 070722

OUTLINE DIMENSIONS

KPF6006R

3-PHASE INDUCTION MOTOR

DWN.	L. JHENG	APR 22 2019
CHKD.	H. WANG	APR 23 2019
APPD.	C. WANG	APR 23 2019

TEC Westinghouse

DWG NO. REV:01

5A040C248

6

5

4

3

2

1