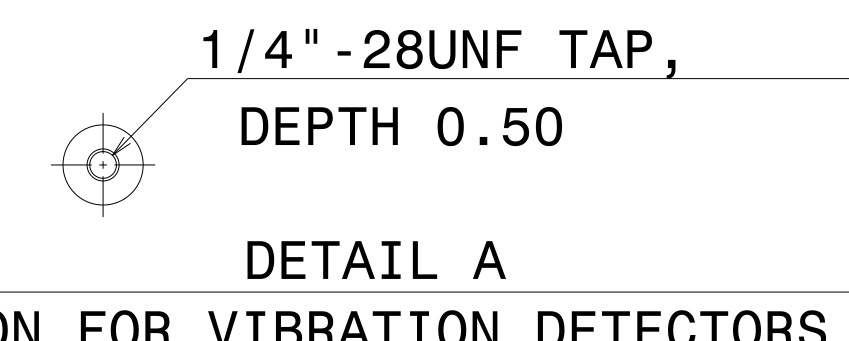
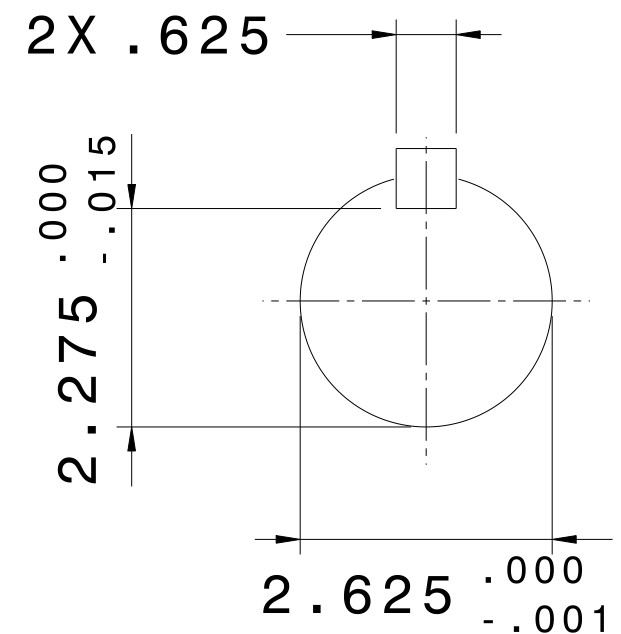
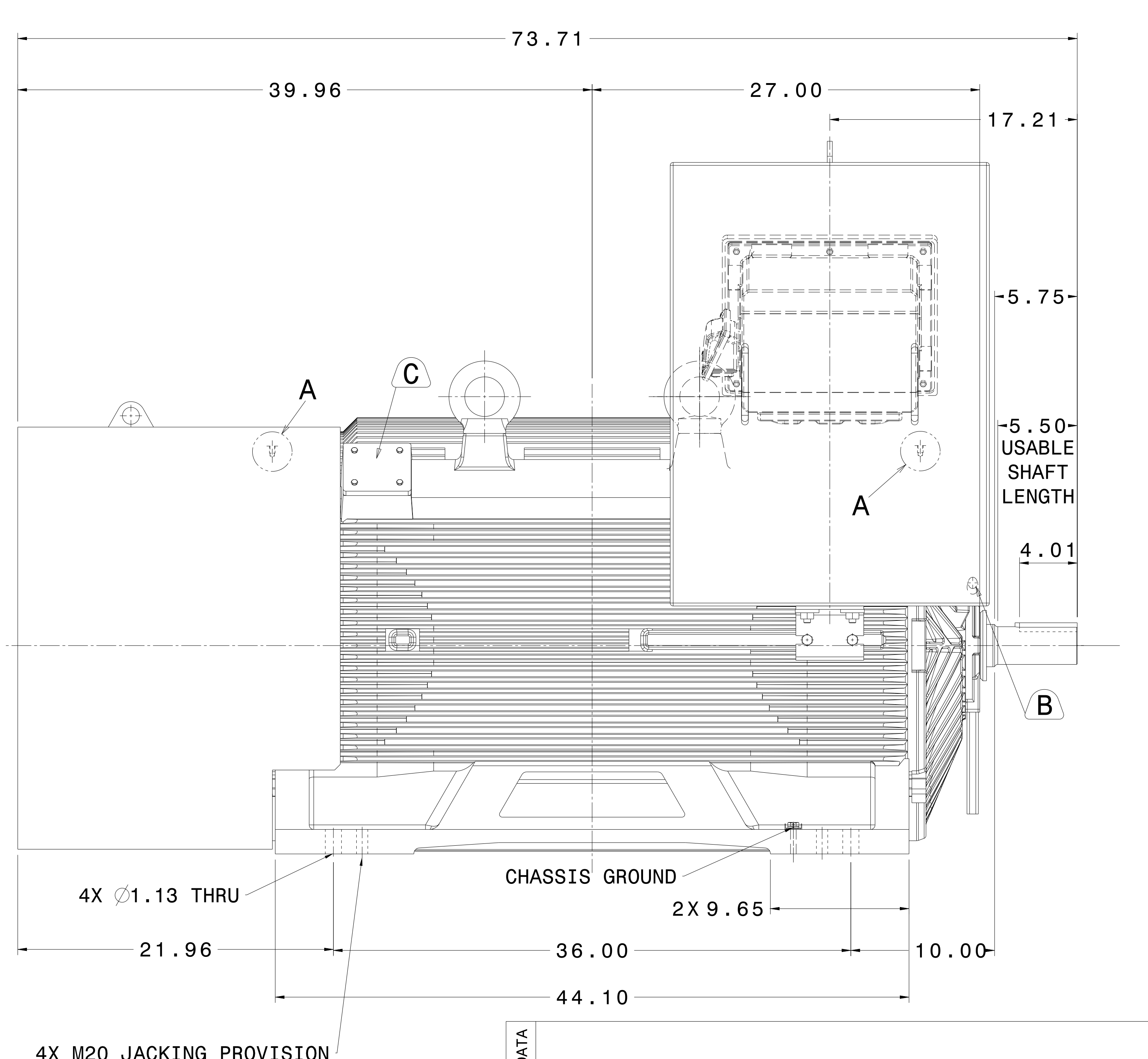
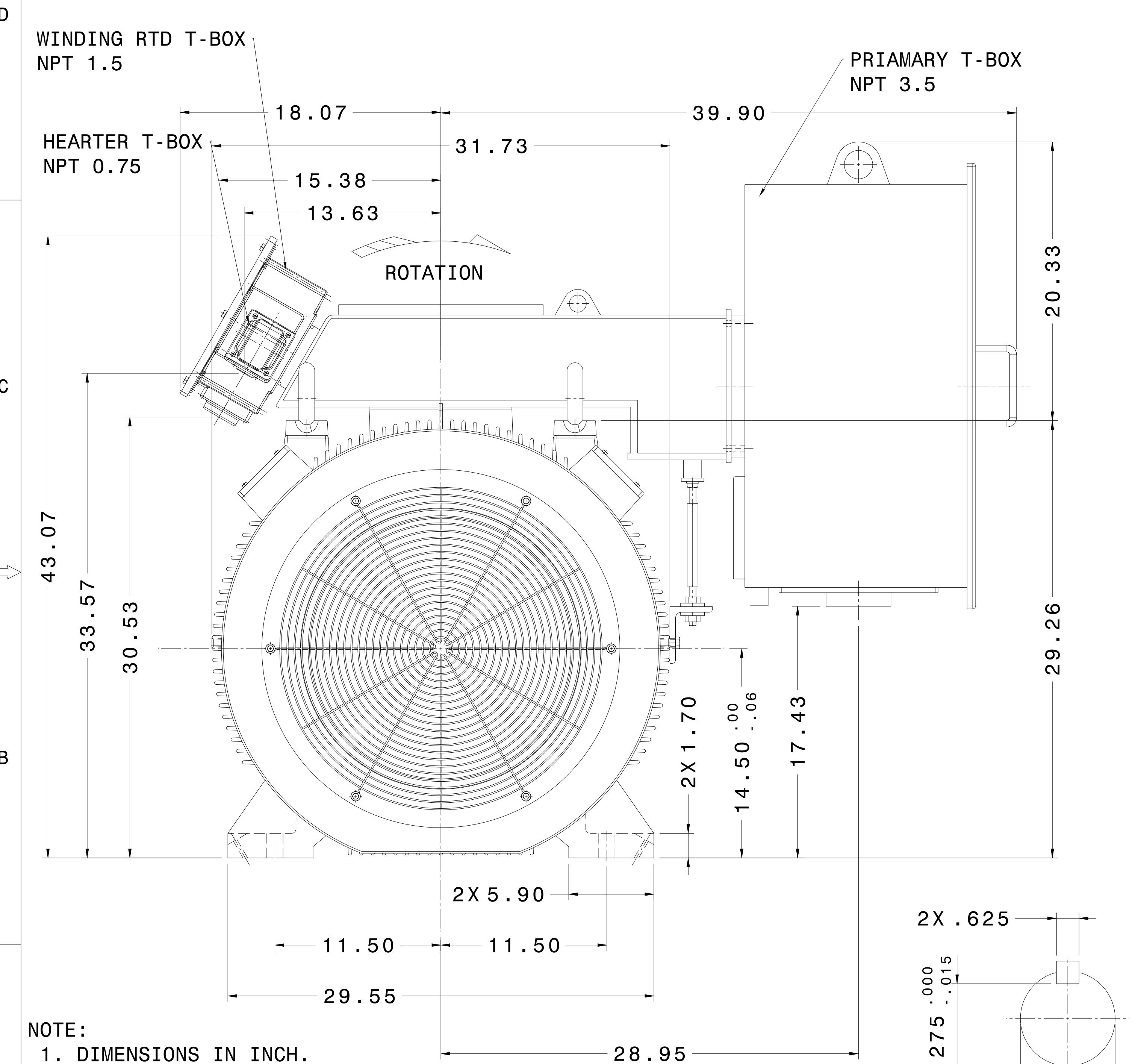


CATALOG #	TYPE	FRAME	OUTPUT		POLE	SYN. SPEED R.P.M.	VOLTAGE V.	Hz.	TIME RATING	INSULATION CLASS	SERVICE FACTOR	BEARINGS		WEIGHT LBS
			HP	kW								DE	NDE	
KPF7002	AFHP	5810A	700	522	2	3600	2300/4000	60	CONT.	F	1.15	6315C3	6315/C3VL0241	6100

TOTALLY ENCLOSED FAN-COOLED TYPE, SQUIRREL-CAGE ROTOR



- NOTE:
- DIMENSIONS IN INCH.
  - ENCLOSURE: IP55.
  - FOR DIRECT FLEXABLE COUPLING.
  - SPACE HEATERS W/T-BOX, 120V. 240 WATTS.
  - WINDING RTD W/T-BOX, 100 OHM PLATIUM, 1 PER PHASE.
  - 4X M20 VERTICAL JACKING SCREW PROVISION.
  - VIBRATION DETECTORS: VB-300SCBEX 2 PCS.
  - FOR BEARING RTD, END BRACKET SHALL BE PRE-DRILLED AND PLUGGED.
  - FOR AUXILIARY, FRAME SHALL BE PRE-DRILLED AND COVERED WITH STEEL PLATE.

REV. DATA	TECO Westinghouse			REV NO	A
	3-PHASE INDUCTION MOTOR			DWG NO.	5A040C243
OUTLINE DIMENSIONS			KPF7002		
REF:	DWN. P. BRYAN	061925	APPD. C. COOK	061925	
	TECO-WESTINGHOUSE MOTOR COMPANY			ROUND ROCK, TEXAS USA	