

6

5

4

3

2

1

1/4'-28UNF TAP,
DEPTH 0.50

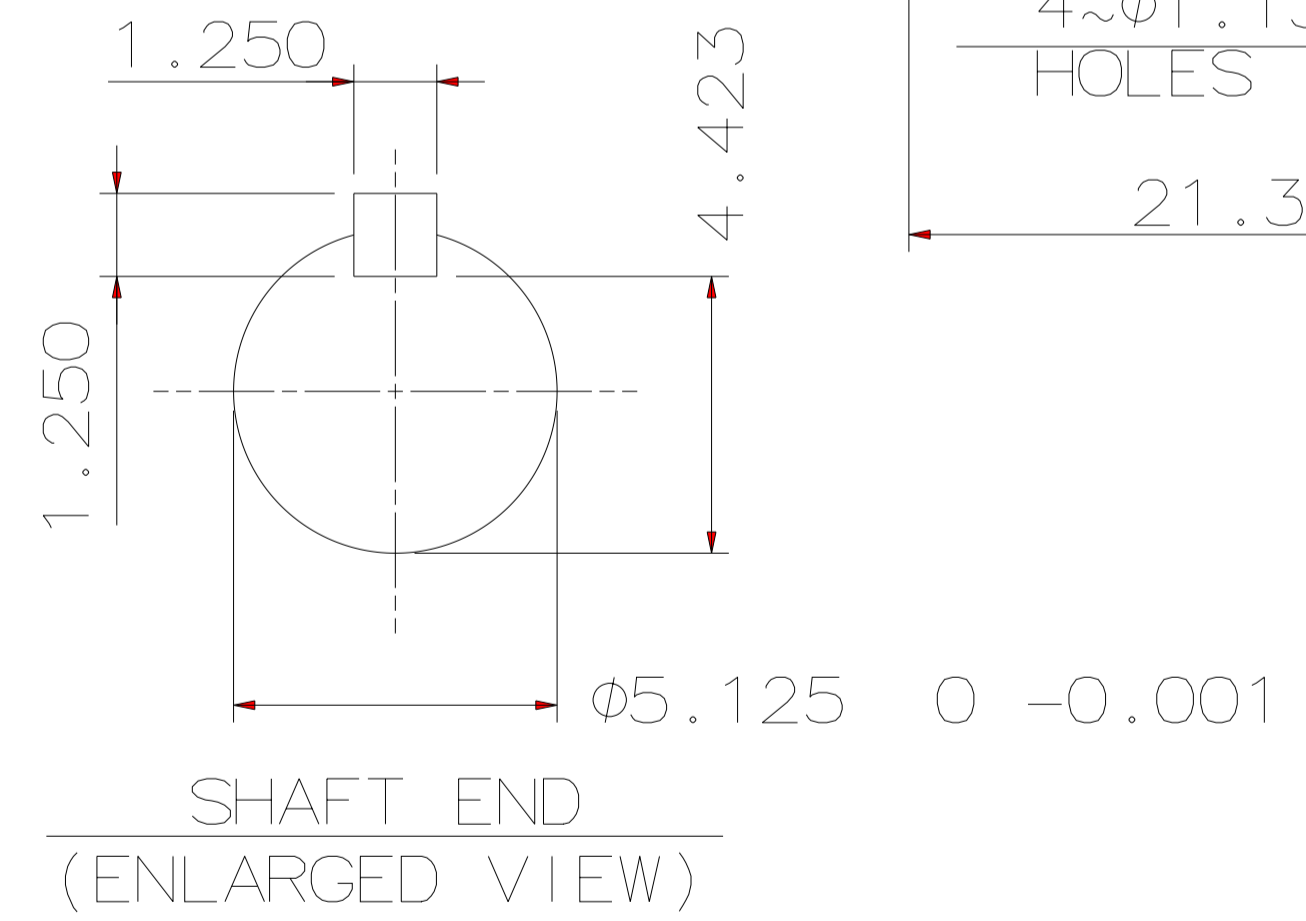
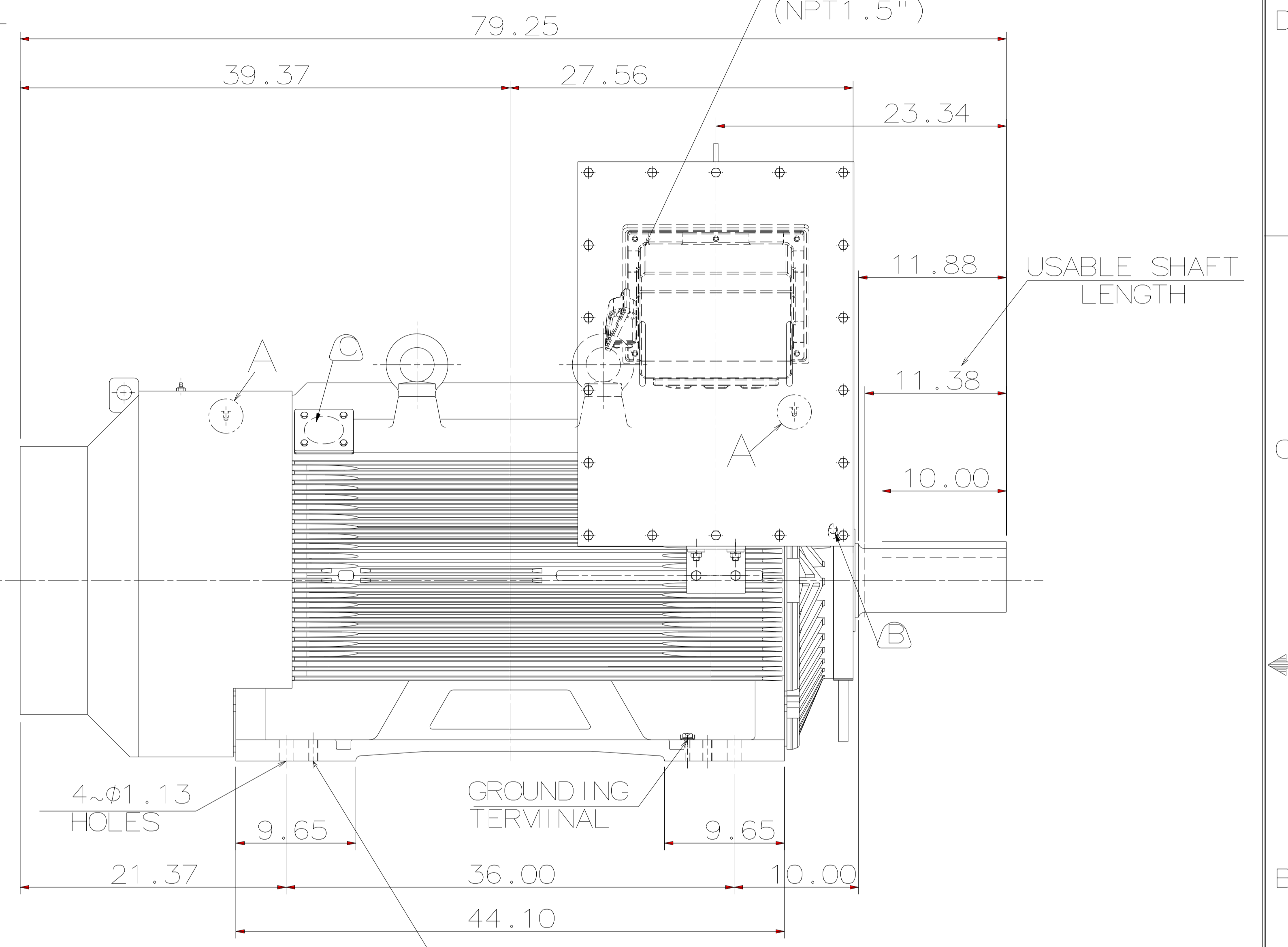
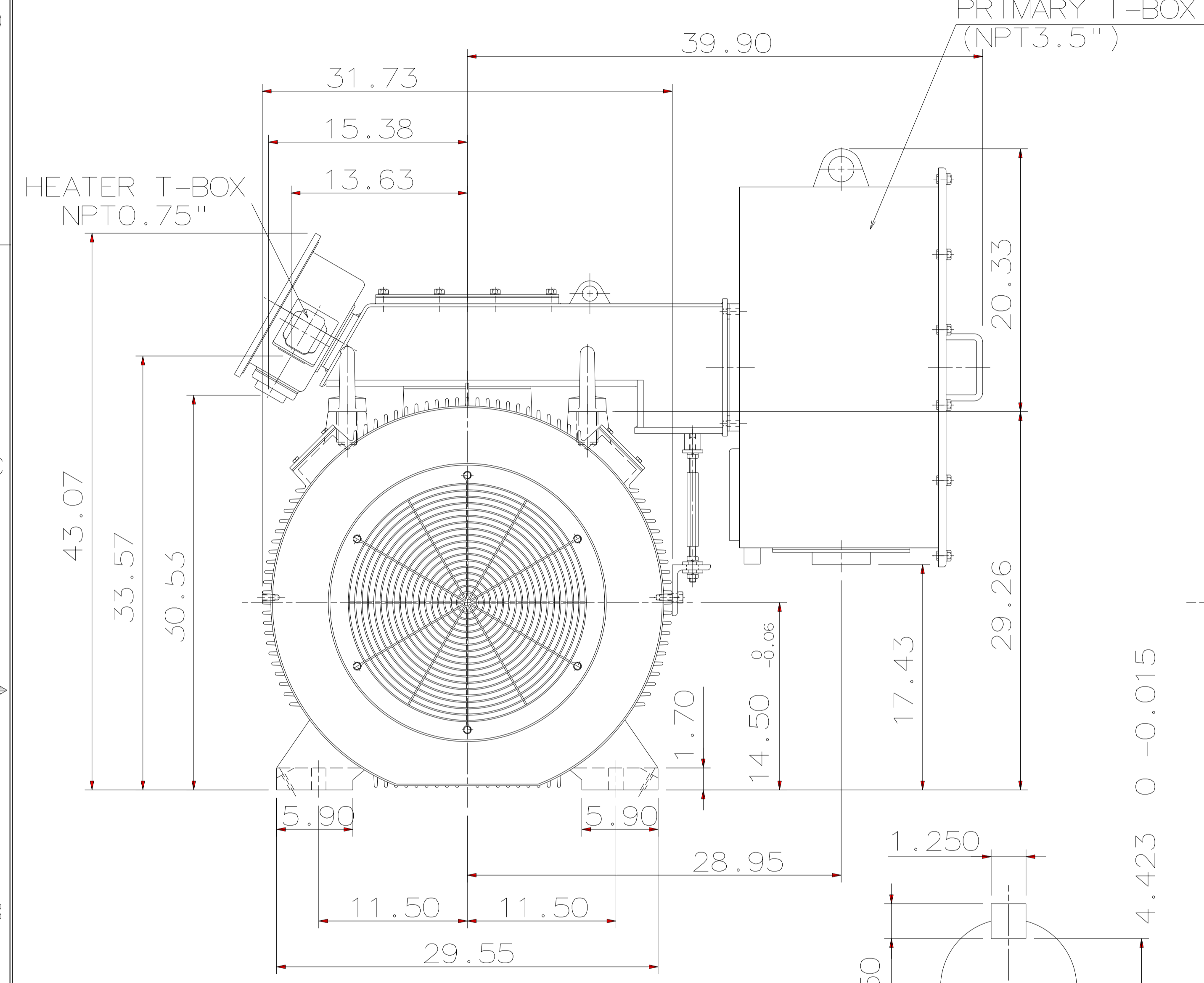
TYPE	OUTPUT		POLE	TIME RATING	VOLTAGE V	Hz	SYN. SPEED R.P.M
	HP.	kW.					
AFHP	700	522	6	CONT.	2300/4000	60	1200

DETAIL A
PROVISION FOR VIBRATION DETECTORS

TOTALLY ENCLOSED FAN-COOLED, TYPE. SQUIRREL-CAGE ROTOR

WINDING RTD T-BOX
(NPT1.5")

PRIMARY T-BOX
(NPT3.5")



- NOTE:
1. DIMENSIONS IN inch
 2. FRAME NO. 5810C
 3. F CLASS INSULATION
 4. FOR DIRECT FLEXIBLE COUPLING
 5. ENCLOSURE: IP55
 6. BEARING SIZE: DRIVE-END NU330C3
OPP. DRIVE-END 6322C3
 7. WITH SAPICE HEATER & WINDING RTD
 8. MOTOR APPROX. WEIGHT: 6900 lb
- ⓑ FOR BEARING RTD, END BRACKETS SHALL BE PRE-DRILLED AND PLUGGED.
- Ⓒ FOR AUXILIARY, FRAME SHALL BE PRE-DRILLED AND COVERD WITH STEEL PLATE.

DWN.	L. JHENG	APR. 23. 2019
CHKD.	H. WANG	APR. 23. 2019
APPD.	C. WANG	APR. 23. 2019

DATE
03/2/23
KPF7006R

OUTLINE DIMENSIONS
3-PHASE INDUCTION MOTOR

TEC Westinghouse

DWG NO. REV:02
5A040C248

6

5

4

3

2

1